

GEN12S-GEN20B

Parts List
03-October-2017



This parts list is current as of the above revision date.

See <http://www.rheempartslists.net/92-42812-GEN12S-GEN20B.pdf> for the current revision.

Standby Generators

Table of Contents

Model Explanation	Page 3
Parts Numbers	
General Assembly	Page 4
General Assembly (cont.)	Page 5
Control Panel	Page 6
Enclosure Parts	Page 7
Alternator Parts	Page 8
Power Management Parts	Page 9
Common Engine Parts	Page 10
Drawings/Photographs	
General Assembly Drawing	Page 11
Control Panel Drawing	Page 12
Enclosure Parts Drawing	Page 13
Alternator Parts Drawing	Page 14
Power Management Parts Drawing	Page 15
Notes/Disclaimer	Page 16

MODEL NUMBER EXPLANATION

G	E	N	2	0	B
(1)			(2)		(3)

(1) PRODUCT TYPE

GEN = Standby Generator

(2) OUTPUT CAPACITY (EQUIVALENT)

12 = 12kW

15 = 15kW

20 = 12kW (20kW equivalent with Power Management System)

25 = 15kW (25kW equivalent with Power Management System)

(3) SERIES

B = Power Management Included / Natural Gas or LP

S = Power Management Optional / Natural Gas or LP

No.	Notes	MODEL OUTPUT CAPACITY SERIES	GEN 12/20 S/B
GENERAL ASSEMBLY PARTS			
1		Base - Mounting (Before April 2007)	X201381GS
1		Base - Mounting (After April 2007)	X203030GS
2		Mount - Vibration	198899GS
3		Hex Head Screw - Trilobular 5/16 - 18 x 1/2	CALL
4	Stk	Solenoid - Gas Fuel	194683GS
5		Fitting - Coupling	194829GS
6	Stk	Regulator	194830GS
7		Bracket - Mounting Solenoid	CALL
8		Fitting - 1/2 Flare 3/8 - 18 NPT	CALL
9	2	Hex Head Cap Screw - M8 - 1.25 x 12	CALL
10	2	Hex Head Cap Screw - M6 - 1.0 x 30	CALL
11	2	Washer - 1/4 Lock	CALL
12	2	Nut - M6 - 1.0	CALL
13		Hex Head Screw - Trilobular - 1/4 - 20 x 1/2	CALL
14	Stk	Battery	194818GS
15		Wire - A - Red	CALL
16		Kit - Battery Hardware	198913GS
17		Wire - A - Black	CALL
18	2	Hex Head Cap Screw - M8 1.25 x 16	N/A
19		Bracket - Muffler Mounting Base	201824GS
20	2	Washer - Flat 5/16 - M8	N/A
21	Stk	Valve - Oil Drain	186071GS
22		Clamp - Hose Band	CALL
23		Hose - Oil Drain	CALL
24		Decal - Oil Drain	CALL
25	2	Hex Head Cap Screw - 5/16 - 18 x 1	N/A
26	2	Nut - 5/16 - 18	N/A
27	2	Washer - Lock 5/16 - M8	N/A
28	2	Hex Head Screw w/Washer - 5/16 - 24 x 3/4	N/A
29	2	Hex Head Cap Screw - 1/4 - 20 x 1	N/A
30	2	Hex Head Cap Screw - 5/16 - 18 x 1 - 3/4	N/A
31		Bracket - Alternator Support	CALL
32		Plate - Blocking Air - Alternator	CALL
33		Nut - 1/4 - 20 Flange - Nylon	CALL
34	2	Washer - Shakeproof Ext. M6-1/4	N/A
35		Wire - Ground	CALL
36	2	Washer - Lock - M10	N/A
37	2	Nut - Hex - M10 - 1.5	N/A
38	2	Hex Head Cap Screw - 1/4 - 20 x 3/4	N/A
39		Bracket - Engine Mounting	CALL
40		Duct - Air	CALL
41		Phillips Truss Head Screw - #6 x 1/2	CALL
42	2	Washer - Lock 3/8	N/A
43	2	Hex Head Cap Screw - 3/8 - 16 x 1-1/4	N/A
44		Wire	CALL

No.	Notes	MODEL OUTPUT CAPACITY SERIES	GEN 12/20 S/B
GENERAL ASSEMBLY PARTS (CONTINUED)			
45		Plate - Switch Oil Temp	186206GS
46	2	Nut - Hex 1/4 - 20	N/A
47	2	Washer - M6 - Flat 1/4	N/A
48	2	Hex Head Cap Screw - M10 - 1.5	N/A
49		Disk - Engine Air	CALL
50		Screw	CALL
51	1	Assembly - Alternator	N/A
52		Allen Screw - M8 - 1.25 x 20	CALL
53		Decal - Caution Hot Surface	CALL
54		Gasket	806425
55		Muffler	198758GS
56		Base - Muffler Box	CALL
57		Kit - Insulation - Muffler Base	CALL
58		Crimptite - 10-24 x 1/2	CALL
59		Assembly - Bulkhead - Alternator End w/Insulation	202111GS
60		Kit - Insulation - Muffler Box	CALL
61		Collector - Muffler Box	CALL
62		Box - Muffler Top	CALL
63		Screw. 10 - 32 x 5/8	CALL
64	2	Phillips Pan Head Machine Screw - 4-40 x 0.19	N/A
65	2	Washer - Lock #4	N/A
66	Stk	Switch - Oil Temp	186205GS
67		Wire - A	CALL
	Stk	Solenoid and Bracket (not shown)	691656
900	1	Engine - Briggs & Stratton	N/A
901	Stk	Fuel Hose	843293
902		Clamp	CALL

No.	Notes	MODEL OUTPUT CAPACITY SERIES	GEN 12/20 S/B
GENERAL ASSEMBLY PARTS - NOT ILLUSTRATED			
	Stk	Cap - Funnel Oil Bottle	B3518GS
	Stk	Hose - Flex	202295GS
	Stk	Kit - LED Remote	198866GS
	3,Stk	Kit - Cold Weather (Includes Battery and Oil Warmers)	6030

No.	Notes	MODEL OUTPUT CAPACITY SERIES	GEN 12/20 S/B
CONTROL PANEL PARTS			
69		Assembly - Cover - Circuit Breaker w/Decals	CALL
70	2	Screw- 10 x 0.62 - Plastite	N/A
71	Stk	Circuit Breaker - 60A - 2 Pole	201089GS
72		Bracket - Mounting Breaker	CALL
73		Lug - Ground Connect	CALL
74		Bolt - 1/4-10 x 1 - Plastite	CALL
75	Stk	Fuse - Auto Type 15A	198573GS
76	Stk	Assembly - Control Panel	202118GS
77		Screw - PT - M4 - 1.79 x 16.0	CALL
78		Assembly - Duct - Engine Air w/Decals	CALL
79		Decal - Danger High Voltage	CALL
80		Decal - Terminal Block	CALL
81		Decal - Ground - Neutral	CALL
82		Decal - Warning - Outdoor Install	CALL
83		Decal - Caution - Standby	CALL
84		Decal - Warning - Auto Start	CALL
85		Decal - Caution - Electric Shock	CALL
86		Decal - Warning Shock	CALL
87	2	Nut - 1/4 - 20	N/A
88	2	Washer - Shakeproof - Ext M6 1/4	N/A
89	2	Hex Head Cap Screw - 1/4 - 20 x 3/4	N/A

No.	Notes	MODEL CAPACITY SERIES	GEN 12/20 S/B
CONTROL PANEL PARTS - NOT ILLUSTRATED			
		Parts Bag/Manual	202174GS
		Harness - Wire - Control Board to Engine/Alternator	201090GS
		Harness - Wire - E1 and E2 Sensing	198517GS
	Stk	Connector - Terminal - 2 Pin	198515GS
	Stk	Connector - Terminal - 10 Pin	198516GS

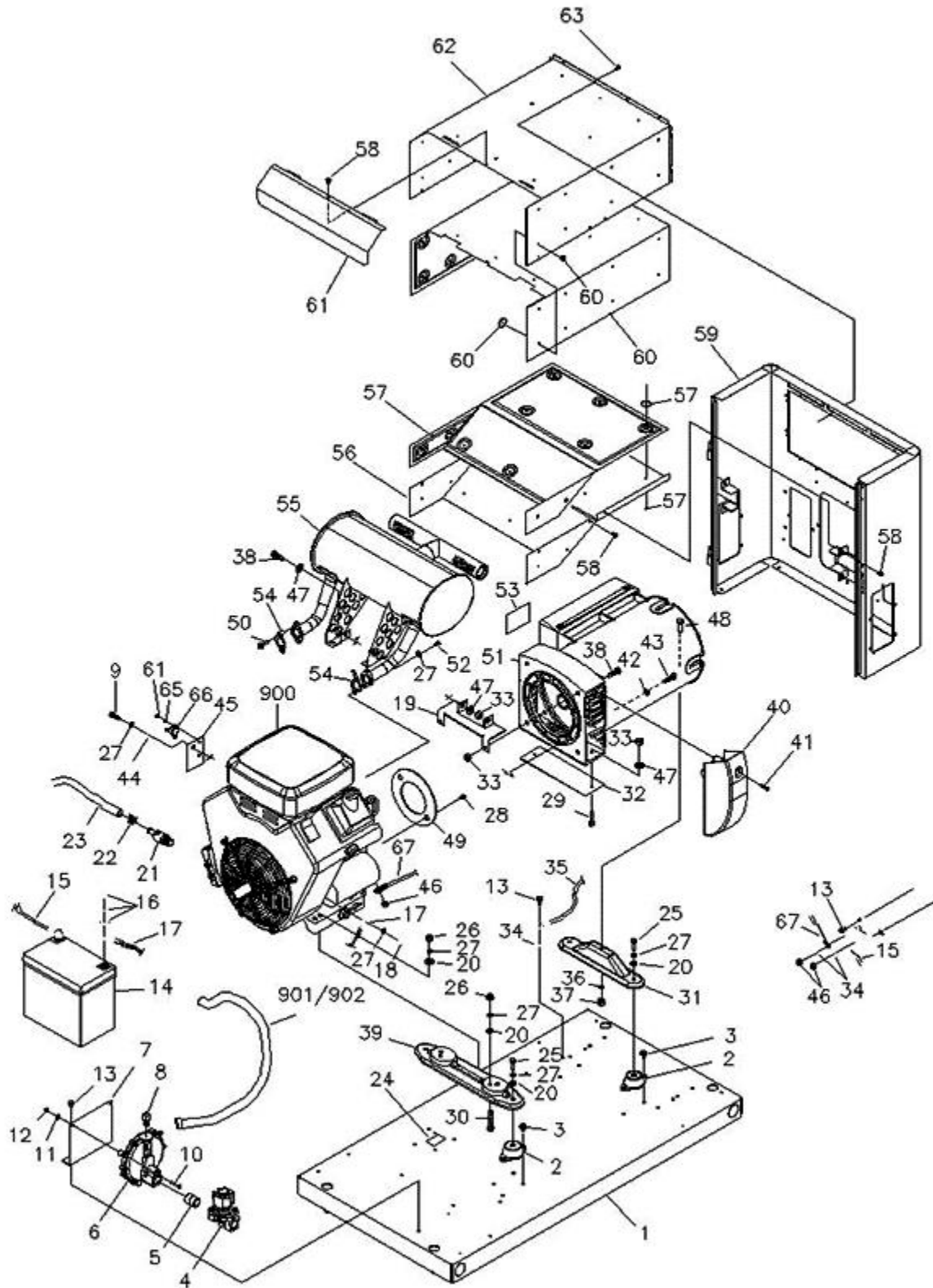
No.	Notes	MODEL OUTPUT CAPACITY SERIES	GEN 12/20 S/B
ENCLOSURE PARTS			
90		Pad - Mounting w/Holes	197275GS
91		Base - Mounting (Before April 2007)	X201381GS
91		Base - Mounting (After April 2007)	X203030GS
92		Assembly - Bulkhead - Engine End	202110GS
93		Assembly - Door - Engine End	202107GS
94		Assembly - Duct - Engine Air	CALL
95		Assembly - Support - Rail	CALL
96		Hex Head Screw - Trilobular - 1/4-20 x 1/2	CALL
97		Bushing - Snap - 1-3/8	CALL
98		Bushing - Snap - 1-1/2	CALL
99		Plug - Dome - 1-1/2	CALL
100	2	Hex Head Cap Screw - 3/8 - 16 x 1	N/A
101	2	Washer - Flat - 3/8 - M10	N/A
102	2	Washer - Lock 3/8	N/A
103	2	Nut - 3/8 - 16	N/A
104		Assembly - Door	202108GS
105		Seal - Foam - Engine Air	CALL
106		Mount - Tie Wrap	CALL
107		Duct - Rubber Alternator	CALL
108		Adapter - Alternator	CALL
109		Assembly - Roof/Siderails	202109GS
110		Assembly - Bulkhead - Alternator End	202111GS
111		Decal - Caution Hot Muffler	CALL
112		Cover - Air Intake Alternator	194679GS
113		Assembly - Vent - Exhaust	198926GS
114		Clip - Tree	CALL
115		Assembly. - Vent - Alternator	198927GS
116		Seal - Foam	CALL
117		Cover - Air Intake Engine	194694GS
118		Insulation - Engine Door	196398GS
119		Seal - Foam	CALL
120		Insulation - Front/Rear Door	196397GS
121		Insulation - Roof	CALL
122		Plug - Dome	198460GS
123		Retainer - Hose	CALL
124	Stk	Kit - Door - Hinge	198890GS
125	Stk	Set - Latch Key	194828GS
126	Stk	Kit - Door Latch	198889GS

No.	Notes	MODEL OUTPUT CAPACITY SERIES	GEN 12/20 S/B
ALTERNATOR PARTS			
127		Bracket - Drive End	CALL
128		Screen - Protection	CALL
129		Bolt - Shaft Stay	CALL
130		Screw	CALL
131		Frame and Stator	192969GS
132		Plug - Rubber Grid	CALL
133		Grid	CALL
134	2	Nut	N/A
135		Box - Terminal Lid	CALL
136		Terminal Board	192968GS
137	2	Washer - Flat - M5	N/A
138	2	Nut - #10-32	N/A
139	Stk	Capacitor	192974GS
140	2	Screw - #10-32 x 3/4	N/A
141		Diode - Electronics Kit	194579GS
142		Assembly - Rotor	192971GS
143	2	Screw - M8 x 1.25 x 35mm	N/A
144	2	Washer - M6 - Shakeproof	N/A
145	2	Nut - 1/4-20	N/A

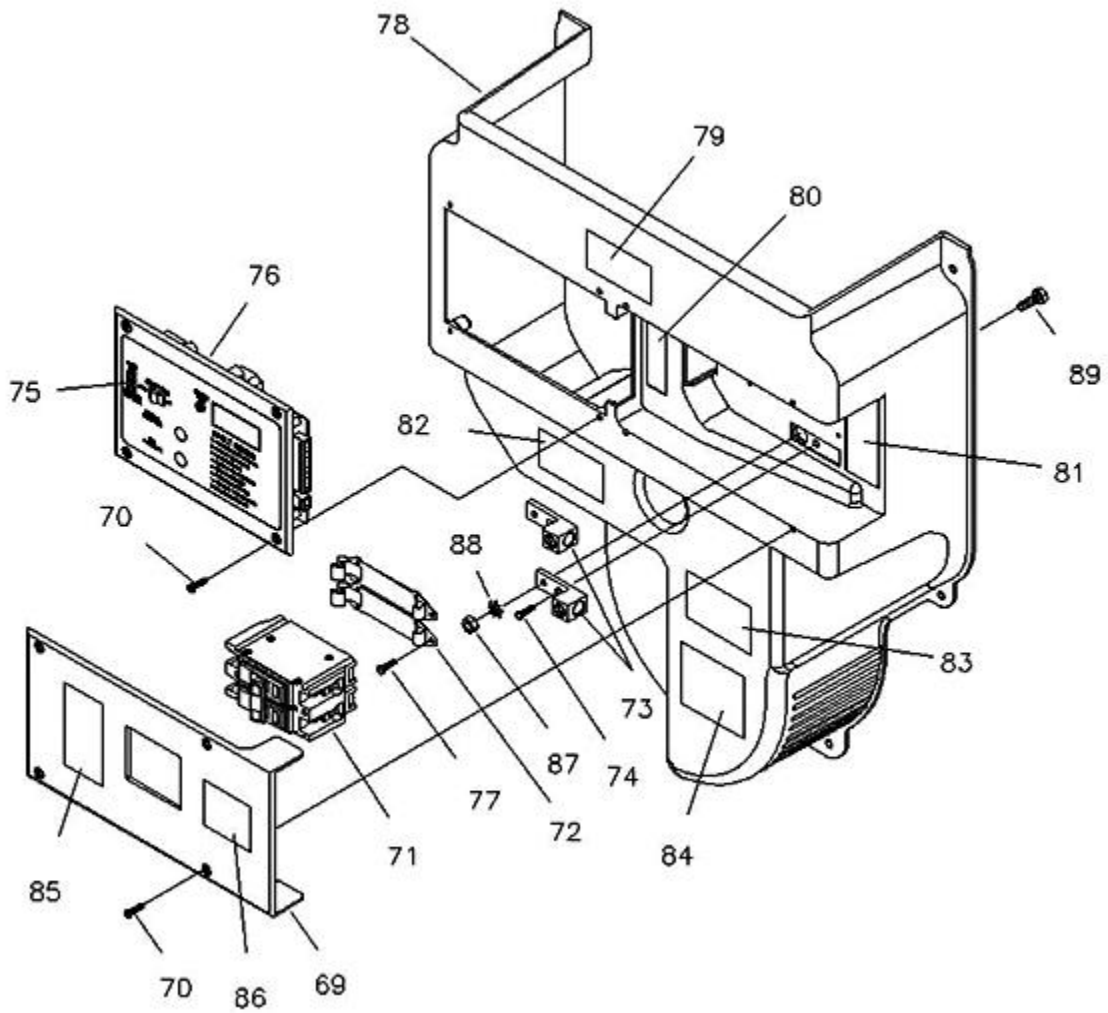
No.	Notes	MODEL OUTPUT CAPACITY SERIES	GEN 20 B
POWER MANAGEMENT PARTS			
146	1	Assembly - Enclosure	N/A
147	Stk	Board - Load Control Center Relay	196616GS
148		Spacer - PCB Board	CALL
149		Harness - Wire - Load Control Center	198112GS
150	Stk	Board - Load Control Center	201924GS
151		Clip - Latching Wire	CALL
152	2	Nut - 1/4 - 20	N/A
153	2	Washer - Lock 1/4	N/A
154		Terminal	CALL
155	2	Washer - Shakeproof - Ext M6 - 1/4	N/A
156		Spacer	CALL
157		Decal	CALL
158		Decal - Warning	CALL
159	2	Phillips Pan Head Machine Screw - 8-32 x 1	N/A
160		Spacer - 4 x 25	CALL
161		Nut - Hex - 8 - 32 - w/Locking Insert	CALL

No.	Notes	MODEL OUTPUT CAPACITY SERIES	GEN 20 B
POWER MANAGEMENT PARTS - NOT ILLUSTRATED			
		Current Transformer	195728GS
		Block - Terminal w/Levers	197956GS
		Lug - 1/4 Tab	CALL
		Lug - 1/4 - 18-22	CALL

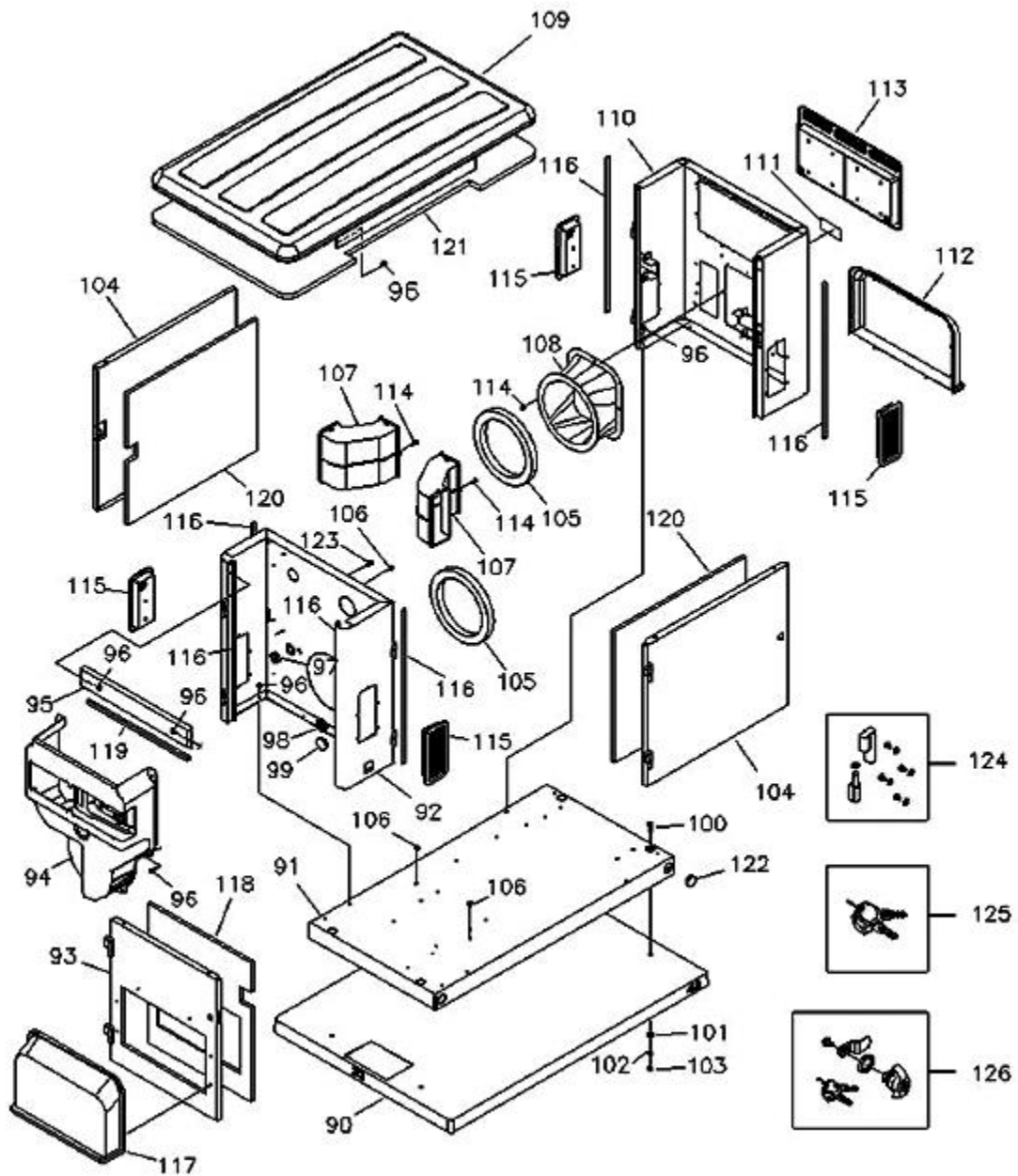
No.	Notes	MODEL OUTPUT CAPACITY SERIES	GEN 12/20 S/B
ENGINE PARTS			
Note: The engine parts shown below are the common service parts for this model. Other engine repair parts should be obtained through an authorized Briggs & Stratton repair facility.			
MAINTENANCE KIT			
	Stk	Maintenance Kit - This kit will service one generator. The following individual items included with kit may be ordered separately	6035
	Stk	Spark Plug	491055S
	Stk	Oil - Synthetic	100074
	Stk	Cartridge - Air Cleaner	841359
	Stk	Precleaner - Air Cleaner	272490S
	Stk	Oil Filter	492932S
COMMON ENGINE PARTS			
		Wire Assembly	692319
		Armature - Magneto	492341
		Motor - Starter	691564
		Tube - Breather	808686
		Breather Assembly	808648
		Dipstick	693175
		Gasket - Rocker Cover	806039S
		Gasket - Exhaust	806425
		Plug - Oil Fill	491832
		Gasket - Sealing	691612
		Washer - Sealing	691766
		Nut - Rocker Cover	692055
		Gasket - Air Cleaner	692081
		Seal - Dipstick Tube	693172
		Drive - Starter	496881
		Switch - Oil Pressure	690233
		Spring - Governor	692070
		Spring - Governor Idle	692069
		Knob - Air Cleaner	691985
		Hose/Clamp Assembly (Oil Cooler)	499051
		Oil Filter Adapter w/Gasket	808537
		Gasket - Oil Filter Adapter	692063



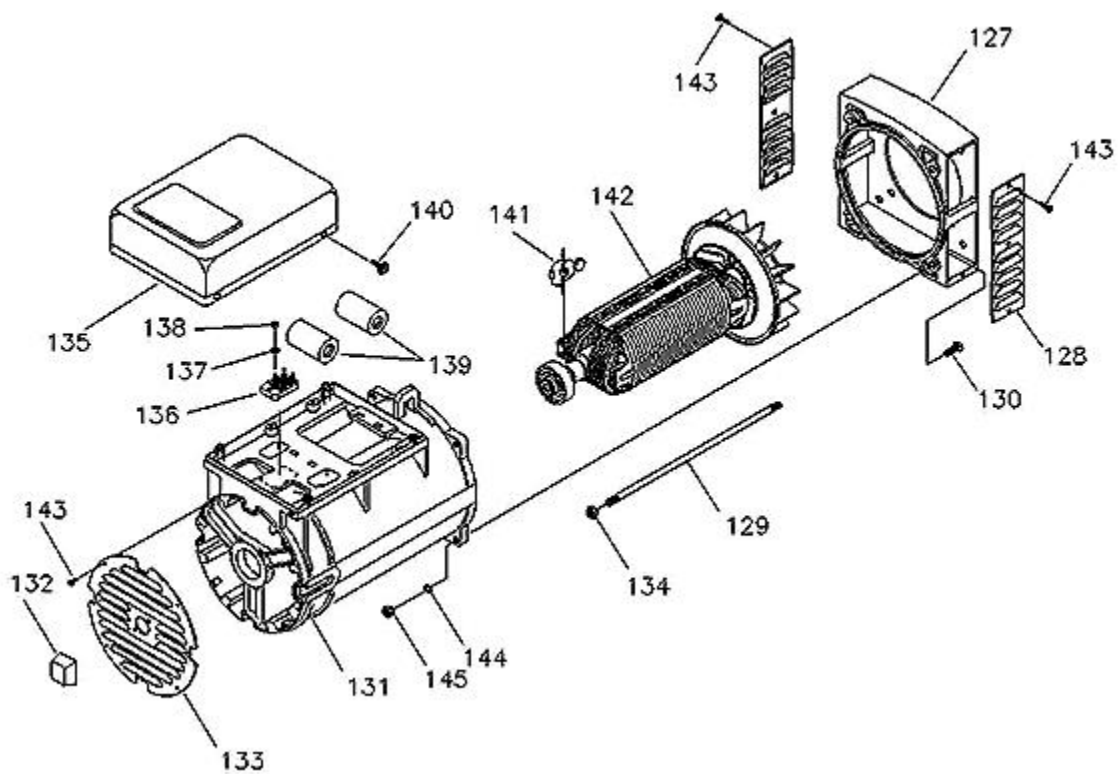
General Assembly Drawing



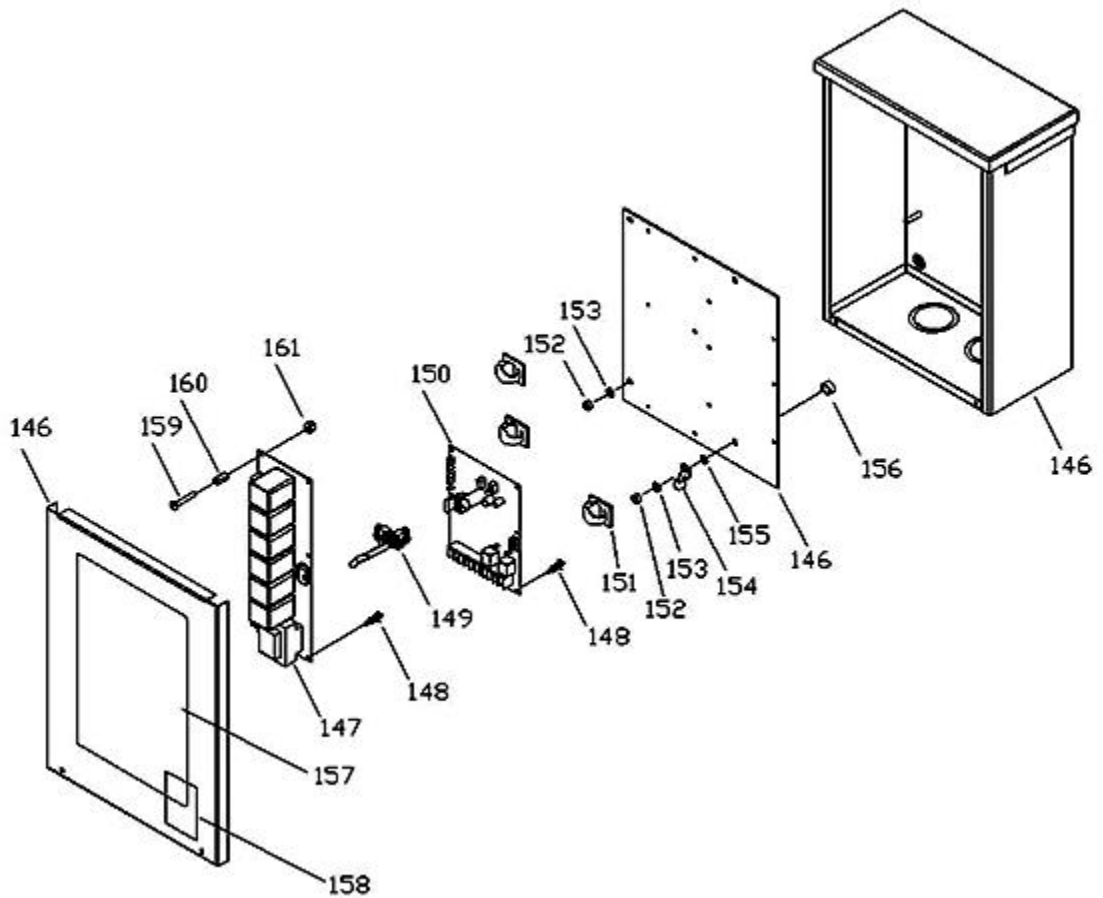
Control Panel Drawing



Enclosure Parts Drawing



Alternator Parts Drawing



Power Management Parts Drawing

NOTES

N/A Not Applicable

Stk It is recommended that stock be maintained for this part.

CALL Part will be set-up on customer request

1 Non-serviceable part

2 Hardware store item

3 Recommended for areas with temperatures below 40F. Required for areas with temperatures below 32F.

Power Systems Technical Support: 1-877-369-9400

DISCLAIMER: This document is intended to provide general replacement parts information to aid qualified service personnel in the repair of these models. The complete Model and Serial Number of the unit under repair should be specified when selecting and ordering replacement parts. Specifications and illustrations are subject to change without notice. Document 92-42812-GEN12S-GEN20B supersedes all previous parts lists for these models. See <http://www.rheempartslists.net/92-42812-GEN12S-GEN20B> for the latest revision of this document. The manufacturer assumes no obligation for errors or omissions. Service personnel must verify the proper and safe operation of equipment after the replacement of any original components.