



UA20

Parts List
06-October-2021



*This parts list is current as of the above revision date.
See <http://www.rheempartslists.net/92-42801-UA20.pdf> for the current revision.*

Condensing Units

Table of Contents

| | |
|----------------------------------|---------|
| Model Explanation | Page 3 |
| Parts Numbers | |
| Panels - Miscellaneous | Page 4 |
| Electrical-Fan Group | Page 5 |
| Coil Parts | Page 6 |
| Compressor Group | Page 7 |
| Drawings/Photographs | |
| Exploded View | Page 8 |
| Control Box | Page 9 |
| Valve Mounting, Compressor | Page 10 |
| Notes | Page 11 |

MODEL NUMBER EXPLANATION

| | | | | | | | | | | |
|----------|----------|----------|----------|----------|----------|----------|----------|----------|----------|----------|
| U | A | 2 | 0 | 2 | 4 | A | J | V | C | B |
| 1 | 2 | 3 | | 4 | | 5 | 6 | 7 | 8 | 9 |

- | | |
|--|---|
| <p>(1) Brand R = Rheem U = Ruud</p> <p>(2) Product Category A = Air Conditioner</p> <p>(3) Seer 20 = 20 SEER</p> <p>(4) COOLING CAPACITY (BTU/HR) 018 = 18,000 024 = 24,000 030 = 30,000 036 = 36,000 042 = 42,000 048 = 48,000 060 = 60,000</p> | <p>(5) MAJOR SERIES A = First Design Series</p> <p>(6) VOLTAGE J = 208-230/1/60 C = 208-230/3/60 D = 460/3/60 Y = 575/3/60</p> <p>(7) TYPE V = Inverter</p> <p>(8) CONTROLS C = Communicating</p> <p>(9) MINOR SERIES A = First Design Series B = Second Design Series (LPC/HPC)</p> |
|--|---|

SERIAL NUMBER EXPLANATION

| | | | | | | | | |
|----------|----------|----------|----------|----------|----------|----------|----------|----------|
| W | 0 | 8 | 1 | 3 | 9 | 9 | 9 | 9 |
| (1) | (2) | | (3) | | | | (4) | |

- (1) **PLANT CODE**
W = West Nuevo Laredo
- (2) **WEEK OF PRODUCTION**
- (3) **YEAR OF PRODUCTION**
- (4) **PRODUCTION NUMBER**

Note: For Compressor Identification Number, see Compressor Code on Rating Plate

| No. | Notes | MODEL COOLING CAPACITY VARIATION | UA20 24 AJVCB | UA20 36 AJVCB | UA20 48 AJVCB | UA20 60 AJVCB |
|---|-------|--|----------------------|----------------------|----------------------|----------------------|
| SHEET METAL PARTS, MISCELLANEOUS | | | | | | |
| 1 | | Front Louver Panel (Panel/Label/Badge Assembly) | AE-104456-42 | AE-104456-42 | AE-104456-58 | AE-104456-58 |
| | | Badge | 91-105392-02 | 91-105392-02 | 91-105392-02 | 91-105392-02 |
| | | Front Panel Louver Label | 91-104695-02 | 91-104695-02 | 91-104696-02 | 91-104696-02 |
| 2 | | Left Panel | AE-104456-29 | AE-104456-29 | AE-104456-50 | AE-104456-50 |
| 3,4 | | Right/ Back Panel | AE-104456-28 | AE-104456-28 | AE-104456-49 | AE-104456-49 |
| 5 | | Base Pan | 68-104457-02 | 68-104457-02 | 68-104457-03 | 68-104457-03 |
| 6 | | Control Box | 10-105640-01 | 10-105640-01 | 10-105640-01 | 10-105640-01 |
| 7 | | Control Box Cover | AS-104462-02H | AS-104462-02H | AS-104462-02H | AS-104462-02H |
| 8 | | Control Box Bracket | AS-104460-08H | AS-104460-08H | AS-104460-10H | AS-104460-10H |
| 9 | | Service Door | AS-104525-01H | AS-104525-01H | AS-104525-01H | AS-104525-01H |
| 10 | | Center Post (2) | AS-104459-09H | AS-104459-09H | AS-104459-13H | AS-104459-13H |
| 11 | | Corner Post (2) | AS-104469-05H (2) | AS-104469-05H (2) | AS-104469-07H (2) | AS-104469-07H (2) |
| 12 | | Corner Post (1) | AS-104469-05H (1) | AS-104469-05H (1) | AS-104469-07H (1) | AS-104469-07H (1) |
| 13 | | Top Panel (Black) | AS-104458-02J | AS-104458-02J | AS-104458-03J | AS-104458-03J |
| 14 | | Venturi | 68-104464-06 | 68-104464-06 | 68-104464-07 | 68-104464-07 |
| 15 | | Grille | 95-104620-02 | 95-104620-02 | 95-104620-04 | 95-104620-04 |
| | | Louver Label | 91-104695-02 | 91-104695-02 | 91-104696-02 | 91-104696-02 |
| | | Center Cap - Blank (for Grille) | 91-101123-00 | 91-101123-00 | 91-106416-00 | 91-106416-00 |
| | | Center Cap Label w/Center Cap | 91-101123-26 | 91-101123-26 | 91-106416-26 | 91-106416-26 |
| | | Service Valve - Suction | See Coil Group | | | |
| | | Service Valve - Liquid | See Coil Group | | | |
| | | Touch-up Paint - Granite/Steel Gray (Aerosol) | PD523018 | PD523018 | PD523018 | PD523018 |
| | | Touch-up Paint - Granite/Steel Gray (Paint Pens) | PD523019 | PD523019 | PD523019 | PD523019 |
| | | Touch-up Paint - Ruud Black (Aerosol) | PD523201 | PD523201 | PD523201 | PD523201 |
| | | Touch-up Paint - Ruud Black (Paint Pen) | PD523202 | PD523202 | PD523202 | PD523202 |

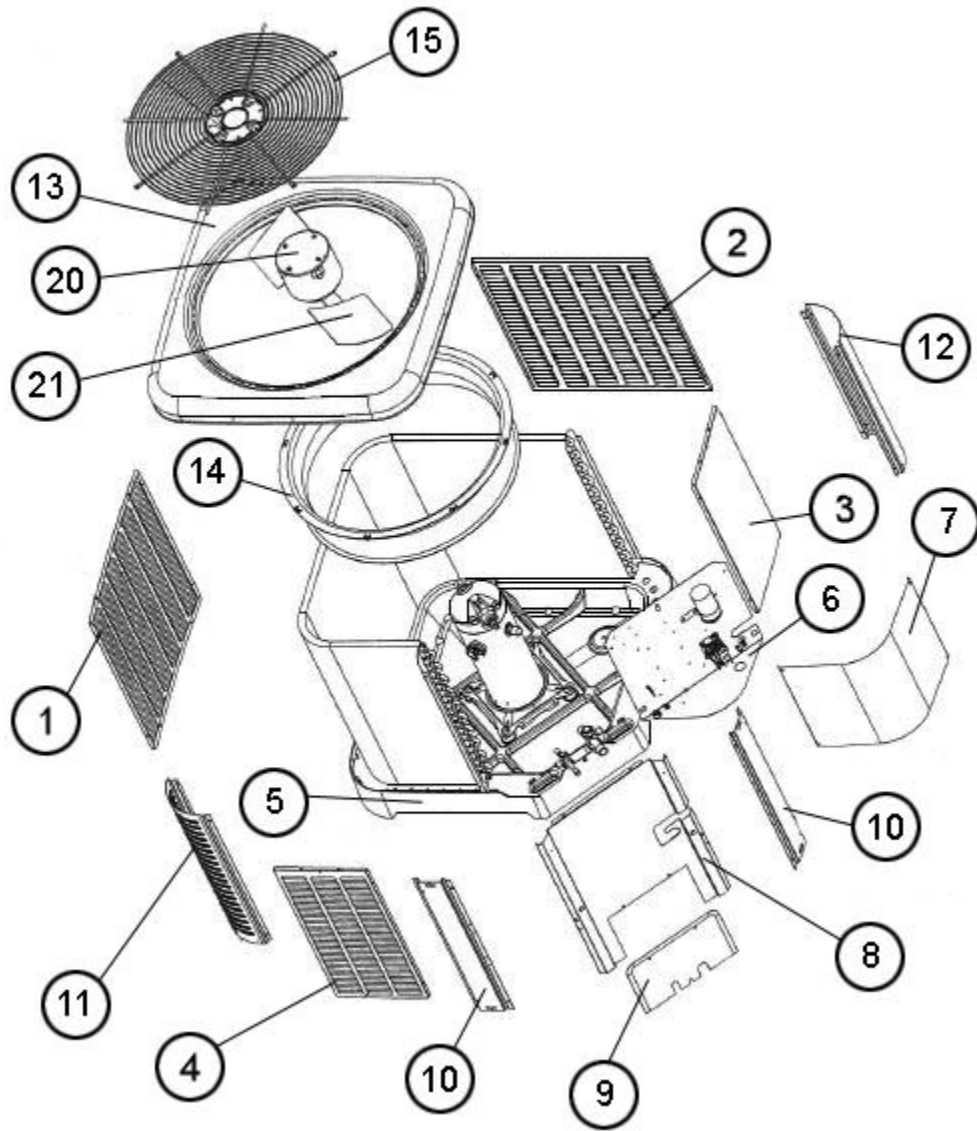
| No. | Notes | MODEL COOLING CAPACITY VARIATION | UA20 24 AJVCB | UA20 36 AJVCB | UA20 48 AJVCB | UA20 60 AJVCB |
|-----------------------------|-------|---|---------------------|---------------------|---------------------|---------------------|
| ELECTRICAL/FAN GROUP | | | | | | |
| 20 | Stk | Fan Motor | 51-102870-05 | 51-102728-17 | 51-105035-01 | 51-105035-01 |
| 21 | Stk | Fan Blade | 70-102345-08 | 70-102345-08 | 70-102345-15 | 70-102345-15 |
| 22 | | Ground Lug | 45-19000-05 | 45-19000-05 | 45-19000-05 | 45-19000-05 |
| 24a | Stk | Variable Speed Control Board - EcoNet | 47-104848-01 | 47-104848-01 | 47-104848-01 | 47-104848-01 |
| | | Control - Identity EEPROM (before W5017) | 47-102738-126 | 47-102738-127 | 47-102738-128 | 47-102738-129 |
| | | Control - Identity EEPROM (on or after W5017) | 47-102738-159 | 47-102738-160 | 47-102738-161 | 47-102738-162 |
| 24b | Stk | EMI Filter Board | 47-105222-01 | 47-105222-01 | 47-105222-01 | 47-105222-01 |
| 24c | Stk | Power Inverter Board | 47-105221-02 | 47-105221-02 | 47-105221-03 | 47-105221-04 |
| 24d | | Choke | 46-105466-02 | 46-105466-02 | 46-105466-03 | 46-105466-03 |
| 24e | | Terminal Block | 45-23222-02 | 45-23222-02 | 45-23222-02 | 45-23222-02 |
| 24f | | Locking Wing Push Mount Tie | 64-25340-02 | 64-25340-02 | 64-25340-02 | 64-25340-02 |
| 24g | | Universal Bushing | 45-103252-02 | 45-103252-02 | 45-103252-02 | 45-103252-02 |
| 27 | Stk | Low Pressure Transducer | 47-103454-05 | 47-103454-05 | 47-103454-05 | 47-103454-05 |
| 27a | | Valve Body - Low Pressure Control | 61-18542-01 | 61-18542-01 | 61-18542-01 | 61-18542-01 |
| 28 | Stk | High Pressure Control | 47-103669-04 | 47-103669-04 | 47-103669-04 | 47-103669-04 |
| | | Discharge Sensor | 47-102710-18 | 47-102710-18 | 47-102710-18 | 47-102710-18 |
| | | Thermistor/Clip Assembly (Compressor Sump Sensor) | 47-102710-12 | 47-102710-12 | 47-102710-22 | 47-102710-22 |
| | | Thermistor/Clip Assembly - 2 Sensors (Coil Sensor) | 47-108211-04 | 47-108211-05 | 47-108211-02 | 47-108211-03 |
| | | Ambient Thermistor | 47-102709-06 | 47-102709-06 | 47-102709-06 | 47-102709-06 |
| | | Wire Harness - Inverter to Control Board (6 Pin from inverter to 3 Pin on control board) | 45-104991-01 | 45-104991-01 | 45-104991-01 | 45-104991-01 |
| | | Wire Harness - Filter to Inverter | 45-104991-03 | 45-104991-03 | 45-104991-03 | 45-104991-03 |
| | | Wire Harness - Terminal Block to Filter | 45-104991-04 | 45-104991-04 | 45-104991-04 | 45-104991-04 |

| No. | Notes | MODEL COOLING CAPACITY VARIATION | UA20 24 AJVCB | UA20 36 AJVCB |
|-------------------|-------|--|----------------------|---------------------|
| COIL GROUP | | | | |
| 30 | Stk | Condenser Coil | AS-105647-03 | AS-105655-03 |
| 31 | | Service Valve - Suction | 61-104914-03 | 61-104914-03 |
| 32 | | Service Valve - Liquid | 61-104914-05 | 61-104914-05 |
| 33a | | Valve Core | 61-18551-01 | 61-18551-01 |
| 33b | | Valve Cap | 83-100635-01 | 83-100635-01 |
| 27 | Stk | Low Pressure Control | See Electrical Group | |
| 28 | Stk | High Pressure Control | See Electrical Group | |
| | Stk | Accumulator | 83-104716-01 | 83-104716-01 |
| | Stk | Filter Drier | 83-22755-06 | 83-22755-06 |

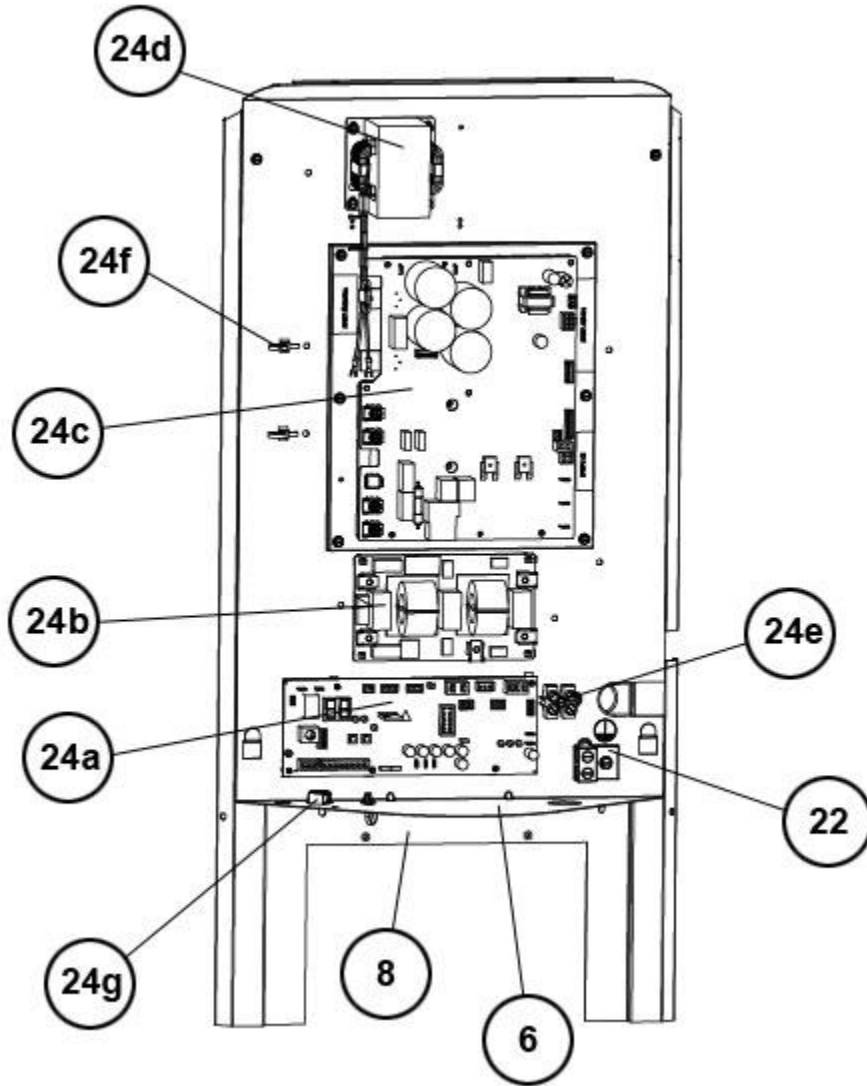
| No. | Notes | MODEL COOLING CAPACITY VARIATION | UA20 48 AJVCB | UA20 60 AJVCB |
|-------------------|-------|--|----------------------|---------------------|
| COIL GROUP | | | | |
| 30 | Stk | Condenser Coil | AS-105662-03 | AS-105822-01 |
| 31 | | Service Valve - Suction | 61-104914-04 | 61-104914-04 |
| 32 | | Service Valve - Liquid | 61-104914-05 | 61-104914-05 |
| 33a | | Valve Core | 61-18551-01 | 61-18551-01 |
| 33b | | Valve Cap | 83-100635-01 | 83-100635-01 |
| 27 | Stk | Low Pressure Control | See Electrical Group | |
| 28 | Stk | High Pressure Control | See Electrical Group | |
| | Stk | Accumulator | 83-104716-02 | 83-104716-02 |
| | Stk | Filter Drier | 83-22755-06 | 83-22755-06 |

| No. | Notes | MODEL COOLING CAPACITY VARIATION | UA20 24 AJVCB | UA20 36 AJVCB |
|-------------------------|-------|--|---------------------|---------------------|
| COMPRESSOR GROUP | | | | |
| | | Compressor ID: | 9104 | 9105 |
| 40 | Stk | Compressor | 55-102045-105S | 55-102045-105S |
| | | Compressor Grommet (4) | 56-18518-19 | 56-18518-19 |
| | | Compressor Bolt (4) | 63-20072-07 | 63-20072-07 |
| | | Compressor Plug Harness | 45-100834-13 | 45-100834-13 |
| | | Filter Drier | See Coil Group | |
| | | Sound Enclosure - Top | 68-23427-18 | 68-23427-18 |

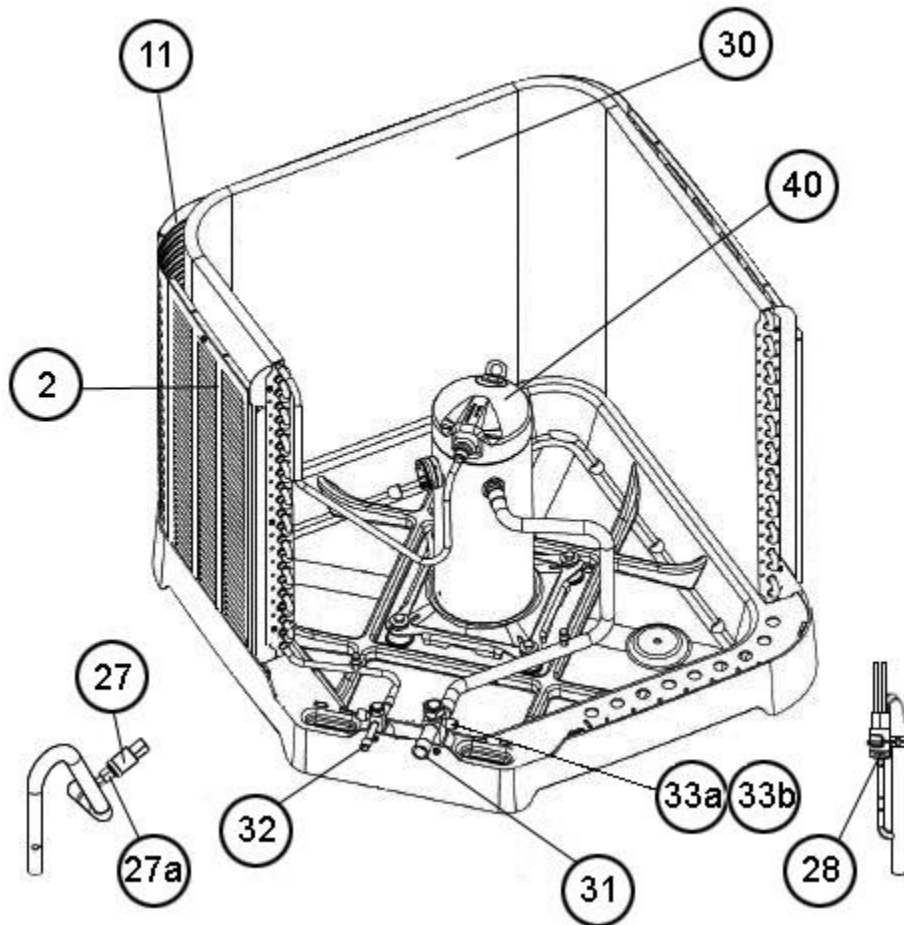
| No. | Notes | MODEL COOLING CAPACITY VARIATION | UA20 48 AJVCB | UA20 60 AJVCB |
|-------------------------|-------|--|---------------------|---------------------|
| COMPRESSOR GROUP | | | | |
| | | Compressor ID: | 9106 | 9107 |
| 40 | Stk | Compressor | 55-102045-106S | 55-102045-150 |
| | | Compressor Grommet (4) | 56-18518-19 | 56-18518-19 |
| | | Compressor Bolt (4) | 63-20072-07 | 63-20072-07 |
| | | Compressor Plug Harness | 45-100834-12 | 45-100834-12 |
| | | Filter Drier | See Coil Group | |
| | | Sound Enclosure - Top | 68-23427-18 | 68-23427-18 |



Exploded View



Control Box



Valve Mounting, Compressor

NOTES

Stk It is recommended that stock be maintained for this part.
N/A Not Applicable