



U98V-USA

Parts List
27-October-2021



*This parts list is current as of the above revision date.
See <http://www.rheempartslists.net/92-42801-U98V-USA.pdf> for the current revision.*

95% Gas Furnaces - Modulating

Table of Contents

Model Explanation	Page 3
Parts Numbers	
Panels - Miscellaneous	Page 4
Parts Bag	Page 5
Electrical Group	Page 6
Blower Group.....	Page 6
Heat Exchanger-Burner Group.....	Page 7
Gas Controls	Page 8
Orifice Selection Chart.....	Page 9
Drawings/Photographs	
Exploded View	Page 10
Cabinet Insulation and Plugs.....	Page 11
Junction Box	Page 12
Burner-Assembly	Page 13
Flame Sensor-Limits.....	Page 13
Pressure Switch -Tubing	Page 14
Burner-Gas Valve.....	Page 14
Trap - Hose Assembly	Page 15
Blower Shelf.....	Page 16
Blower Assembly	Page 17
Control Board Mounting	Page 18
Heat Exchanger - Collector Box.....	Page 19
Parts Bag	Page 20
Notes	Page 21

MODEL EXPLANATION

U	9	8	V	A	0	6	0	M	3	1	7	U	S	A
(1)	(2)	(3)	(4)	(5)	(6)	(7)	(8)	(9)	(10)	(11)				

(1) TRADEBRAND IDENTIFICATION

(2) SERIES
98 % Efficient

(3) MOTOR TYPE
V = ECM Variable Speed

(4) MAJOR REVISION
A = 1st Design Series
B = 2nd Design Series

(5) HEATING INPUT DESIGNATION
040 = 42,000 BTU/HR
060 = 56,000 BTU/HR
070 = 70,000 BTU/HR
085 = 84,000 BTU/HR
100 = 98,000 BTU/HR
115 = 112,000 BTU/HR

(6) MODULATING

(7) AIRFLOW
3 = Up to 3 tons
5 = Up to 5 tons

(8) CABINET WIDTH
14 = 14.0 inch
17 = 17.5 inch
21 = 21.0 inch
24 = 24.5 inch

(9) CONFIGURATION
U = UpFlow

(10) STANDARD/NOx
S = Standard
N = NOx

(11) MINOR REVISION
A = First Time Release

SERIAL NUMBER EXPLANATION

W	0	8	1	3	9	9	9	9
(1)	(2)	(3)	(4)					

(1) PLANT CODE

(2) WEEK (DATE CODE)

(3) YEAR

(4) PRODUCTION NUMBER

Note: For Gas Code, see Control System Gas Code on Rating Plate

No.	Notes	MODEL INPUT AIRFLOW CABINET WIDTH CONFIGURATION	U98VA/VB	U98VA/VB	U98VA/VB	U98VA/VB	U98VA/VB	
			060M 3 17 USA	070M 3 17 USA	085M 5 21 USA	100M 5 21 USA	115M 5 24 USA	
PANELS, SHEET METAL, AND MISCELLANEOUS								
1		Jacket Assembly	See Note 1					
1a		Round Flush Mount Plug - 7/8 in. (6)	45-103596-06	45-103596-06	45-103596-06	45-103596-06	45-103596-06	
1b		Rectangular Flush Mount Plug - 1-27/32 x 2-1/2 in. (3)	45-104315-01	45-104315-01	45-104315-01	45-104315-01	45-104315-01	
1c		Round Flush Mount Plug - 2 in.	45-103596-03	45-103596-03	45-103596-03	45-103596-03	45-103596-03	
1d		Round Flush Mount Plug - 2-3/8 in.	45-103596-04	45-103596-04	45-103596-04	45-103596-04	45-103596-04	
1e		Round Flush Mount Plug - 3-7/16 in.	45-103596-01	45-103596-01	45-103596-01	45-103596-01	45-103596-01	
1f		Star Bushing	45-18515-01	45-18515-01	45-18515-01	45-18515-01	45-18515-01	
1g		Vinyl Grommet - 7/8 in.	56-22114-06	56-22114-06	56-22114-06	56-22114-06	56-22114-06	
1h		Insulation - Foil Back	68-103536-01	68-103536-01	68-103536-02	68-103536-02	68-103536-03	
1i		Insulation - Sound	68-103537-01	68-103537-01	68-103537-02	68-103537-02	68-103537-03	
1j		Insulation Retainer (2)	AE-67925-01	AE-67925-01	AE-67925-01	AE-67925-01	AE-67925-01	
2a		Top Plate Assembly	AS-104134-01	AS-104134-01	AS-104134-02	AS-104134-02	AS-104134-03	
2b		Left Jacket Baffle	AE-104192-03	AE-104192-01	AE-104192-04	AE-104192-01	AE-104192-06	
2c		Right Jacket Baffle	AE-104191-03	AE-104191-01	AE-104191-04	AE-104191-01	AE-104191-06	
2d		Rear Jacket Baffle	AE-104190-01	AE-104190-01	AE-104190-02	AE-104190-02	AE-104190-03	
3		Burner Compartment Door - Upper Door	AS-104584-01	AS-104584-01	AS-104584-02	AS-104584-02	AS-104584-03	
4		Blower/Filter Door - Lower Door	AS-104585-01	AS-104585-01	AS-104585-02	AS-104585-02	AS-104585-03	
		Door Filler (with integral molded alignment pins)	68-104374-01	68-104374-01	68-104374-02	68-104374-02	68-104374-03	
		Door Latch Kit (includes two of each: Latch Cam, Black Latch Handle, O-Ring, Retainer Screw)	PD644036	PD644036	PD644036	PD644036	PD644036	
		Sight Glass - Door	68-21893-04	68-21893-04	68-21893-04	68-21893-04	68-21893-04	
5		Control Board Mounting Plate	AE-103589-01	AE-103589-01	AE-103589-01	AE-103589-01	AE-103589-01	
6a		Junction Box	AE-61475-03	AE-61475-03	AE-61475-03	AE-61475-03	AE-61475-03	
6b		Junction Box Cover	AE-61476-03	AE-61476-03	AE-61476-03	AE-61476-03	AE-61476-03	
7		Transition - Outlet Air	68-104133-02	68-104133-02	68-104133-02	68-104133-02	68-104133-02	
8		Transition - Gasket	68-24022-03	68-24022-03	68-24022-03	68-24022-03	68-24022-03	
9		Transition - Outlet Air Elbow	68-104145-03	68-104145-03	68-104145-03	68-104145-03	68-104145-03	
9a		Exhaust Coupling	68-104146-02	68-104146-02	68-104146-02	68-104146-02	68-104146-02	
9b		Rubber Plug	56-104377-01	56-104377-01	56-104377-01	56-104377-01	56-104377-01	
9c		Bushing - Inducer Coupling Insert (2)	68-104520-01	68-104520-01	68-104520-01	68-104520-01	68-104520-01	
9d		Coupling - IDB	PD703024	PD703024	PD703024	PD703024	PD703024	
10	Stk	Water Trap - Condensate Drain	68-104346-01	68-104346-01	68-104346-01	68-104346-01	68-104346-01	
11a		Drain Tube (from Collector Box)	AE-61737-06	AE-61737-06	AE-61737-06	AE-61737-06	AE-61737-06	
11b		Drain Tube D (from Outlet Air Elbow)	79-104393-01	79-104393-01	79-104393-01	79-104393-01	79-104393-01	
11c		Drain Tube A (from Condensate Trap)	79-104394-01	79-104394-01	79-104394-01	79-104394-01	79-104394-01	
11d		Hose Clamp (5/8 in. for Drain Tube A)	64-103686-03	64-103686-03	64-103686-03	64-103686-03	64-103686-03	
11e		Water Trap Mounting Bracket	AE-104385-01	AE-104385-01	AE-104385-01	AE-104385-01	AE-104385-01	
11f		Rubber Plug	56-104377-01	56-104377-01	56-104377-01	56-104377-01	56-104377-01	
11g		Drain Tube H (from Drain Tube D to Condensate Trap)	79-104393-05	79-104393-05	79-104393-05	79-104393-05	79-104393-05	
12a		Bottom Plate Assembly	AS-104314-01	AS-104314-01	AS-104314-02	AS-104314-02	AS-104314-03	
12b		Solid Bottom Assembly	AS-104772-01	AS-104772-01	AS-104772-02	AS-104772-02	AS-104772-03	
12c		Blower Shelf Assembly (includes items 12d, 12e, 12f)	AS-104135-01	AS-104135-01	AS-104135-02	AS-104135-02	AS-104135-03	
12d		Bracket Door Mounting	AE-104332-01	AE-104332-01	AE-104332-02	AE-104332-02	AE-104332-03	
12e		Round Flush Mount Plug - 2-3/8 in. (2)	45-103596-04	45-103596-04	45-103596-04	45-103596-04	45-103596-04	
12f		Support - Heat Exchanger	AE-104127-01	AE-104127-01	AE-104127-02	AE-104127-02	AE-104127-03	
12g		Gasket - Blower Shelf	68-104382-01	68-104382-01	68-104382-02	68-104382-02	68-104382-03	
12h		Gasket - Door	AE-61951-54	AE-61951-54	AE-61951-55	AE-61951-55	AE-61951-56	
20 a,b, c		Pressure Switches	See Electrical Group					
21		Door Switch - Push Button	See Electrical Group					
22		Limit - Main Limit (Heat Exchanger Panel)	See Electrical Group					
23		Limit - Manual Reset (Burner Compartment)	See Electrical Group					
24		Transformer	See Electrical Group					
25a		Induced Draft Blower (IDB)	See Electrical Group					
29		Wiring Harness Assembly (Twist-Lock)	See Electrical Group					
30		Blower Assembly	See Blower Group					
31a		Housing w/Blower Wheel	See Blower Group					
40		Heat Exchanger Assembly	See Heat Exchanger/Burner/Manifold Group					
41f		O-Ring (fits over tap and seats on Collector Box)	See Heat Exchanger/Burner/Manifold Group					
42		Burner Assembly	See Heat Exchanger/Burner/Manifold Group					
47		Manifold (w/o Orifices)	See Heat Exchanger/Burner/Manifold Group					
50		Gas Valve	See Gas Controls					
51		Integrated Furnace Control Board (IFC)	See Gas Controls					
		Touch-up Paint - Granite/Steel Gray (Aerosol)	PD523018	PD523018	PD523018	PD523018	PD523018	
		Touch-up Paint - Granite/Steel Gray (Paint Pens)	PD523019	PD523019	PD523019	PD523019	PD523019	

No.	Notes	MODEL	U98VA/VB			
		HEATING CAPACITY	All			
		BLOWER DESIGNATION	All			
		VARIATIONS	All			
		AIRFLOW	All			
		FUEL DESIGNATION	All			
PARTS BAG						
	Stk	Complete Parts Bag:	68-104446-01			
1		Intake Coupling / Locknut Assy with O-Ring (2 in.)	68-24114-02			
2		Air Diffuser	68-104515-01			
3		Bulkhead Coupling	68-104005-01			
4		Hose Clamp (5/8 in.) (3)	64-103686-03			
5		Shorty Plug (1/4 in.) (2)	45-24125-01			
6		Screw (2)	63-24368-03			
7		PVC Vane	68-23473-01			
8		Tube C	79-105213-01			
9		Hose - Double Elbow	79-105212-01			

No.	Notes	MODEL INPUT AIRFLOW CABINET WIDTH CONFIGURATION	U98VA/VB	U98VA/VB	U98VA/VB	U98VA/VB	U98VA/VB
			060M 3 17 USA	070M 3 17 USA	085M 5 21 USA	100M 5 21 USA	115M 5 24 USA
ELECTRIC GROUP							
20a	Stk	Pressure Switch Assembly (High Fire)	42-106242-04	42-106242-06	42-106242-04	42-106242-04	42-106242-04
20b	Stk	Pressure Switch Assembly (Mid Fire)	42-106243-01	42-106243-03	42-106243-01	42-106243-01	42-106243-01
20c	Stk	Pressure Switch Assembly (Low Fire)	42-106242-02	42-106242-02	42-106242-01	42-106242-02	42-106242-02
20d		Silicon Tubing - Pressure Switch	See Note 3				
20e		Silicon Tubing - Pressure Switch	See Note 3				
20f		Silicon Tubing - Pressure Switch	See Note 3				
20g		Silicon Tubing - Pressure Switch	See Note 3				
20h		Silicon Tubing - Pressure Switch	See Note 3				
20i		Tee - Silicon Tubing (2)	79-22461-02	79-22461-02	79-22461-02	79-22461-02	79-22461-02
21		Door Switch - Push Button	42-22692-09	42-22692-09	42-22692-09	42-22692-09	42-22692-09
22	Stk	Limit - Main Limit (Heat Exchanger Panel)	47-104465-01	47-104465-01	47-104465-01	47-104465-01	47-104465-01
23	Stk	Limit - Manual Reset (Burner Compartment)	47-104888-01 (3)	47-104888-01 (3)	47-104888-01 (3)	47-104888-01 (3)	47-104888-01 (3)
45a		Bracket (Limit - Manual Reset)	See Heat Exchanger/Burner Manifold Group				
24	Stk	Transformer	46-102856-02	46-102856-02	46-102856-02	46-102856-02	46-102856-02
25a	Stk	IDB - Induced Draft Blower (with Gasket)	70-104157-06	70-104157-06	70-104157-06	70-104157-06	70-104157-06
		Screws (fasteners for IDB to Collector Box) (4)	63-104375-01	63-104375-01	63-104375-01	63-104375-01	63-104375-01
25b		Gasket - Induced Draft Blower	68-104152-01	68-104152-01	68-104152-01	68-104152-01	68-104152-01
26		Power Factor Choke (PFC)	N/A	N/A	46-24256-05	46-24256-05	46-24256-05
		Wiring Assembly (2 pin jumper for PFC)	45-104318-01	45-104318-01	N/A	N/A	N/A
		Memory Module for IFC	47-104778-18	47-104778-19	47-104778-20	47-104778-21	47-104778-22
		Wiring Harness Assembly (5 pin from motor to 2 pin on PFC)	45-104317-01	45-104317-01	45-104317-01	45-104317-01	45-104317-01
		Wiring Harness Assembly (4 pin from IFC to 4 pin on ECM Motor)	45-102785-01	45-102785-01	45-102785-01	45-102785-01	45-102785-01
		Wiring Harness Assembly (Twist-Lock)	45-105320-01	45-105320-01	45-105320-01	45-105320-01	45-105320-01
29		Wire Assembly (Junction Box to Twist Lock)	45-24371-58	45-24371-58	45-24371-58	45-24371-58	45-24371-58
52		Flame Sensor	See Gas Controls				
41e		Water Sensor (2)	See Heat Exchanger/Burner Manifold Group				
53		Spark Ignitor	See Gas Controls				

No.	Notes	MODEL INPUT AIRFLOW CABINET WIDTH CONFIGURATION	U98VA/VB	U98VA/VB	U98VA/VB	U98VA/VB	U98VA/VB
			060M 3 17 USA	070M 3 17 USA	085M 5 21 USA	100M 5 21 USA	115M 5 24 USA
BLOWER GROUP							
30	Stk	Blower Assembly (Includes items listed below):	AS-104532-01	AS-104532-01	AS-104532-02	AS-104532-02	AS-104532-05
31a		Housing w/Blower Wheel	70-104182-05	70-104182-05	70-104182-07	70-104182-07	70-104182-09
31b	Stk	Blower Wheel	PD703027	PD703027	PD703028	PD703028	PD703029
32	Stk	Blower Motor	51-102602-01	51-102602-01	51-102603-01	51-102603-01	51-102603-01
	Stk	Belly Band Motor Mount Kit (includes Motor Mount Arms, Belly Band and Mounting Hardware)	AS-53148-91	AS-53148-91	AS-53148-91	AS-53148-91	AS-53148-91
33		ECM Motor Mount (Belly Band)	70-19927-04	70-19927-04	70-19927-04	70-19927-04	70-19927-04
34		Motor Mount Arm (4)	70-19929-10	70-19929-10	70-19929-10	70-19929-10	70-19929-10
35		Screw - Motor Mount Arm (4)	63-101978-01	63-101978-01	63-101978-01	63-101978-01	63-101978-01

No.	Notes	MODEL INPUT AIRFLOW CABINET WIDTH CONFIGURATION	U98VA	U98VA	U98VA	U98VA	U98VA
			060M	070M	085M	100M	115M
			3	3	5	5	5
			17	17	21	21	24
			USA	USA	USA	USA	USA
HEAT EXCHANGER, BURNER / MANIFOLD GROUP							
40	Stk	Heat Exchanger Assembly	AS-104120-10	AS-104120-31	AS-104120-18	AS-104120-19	AS-104120-21
41a	Stk	Collector Box Kit (includes Collector Box Gasket, Rubber Plugs, Water Sensors, O-Ring, Vinyl Cap, IDB Gasket and Mounting Screws)	68-104111-81	68-104111-96	68-104111-97	68-104111-98	68-104111-83
41b	Stk	Collector Box Gasket	68-103546-03	68-103546-03	68-103546-02	68-103546-02	68-103546-01
41c		Rubber Plug (2)	56-104377-01	56-104377-01	56-104377-01	56-104377-01	56-104377-01
41d		Vinyl Cap	56-103685-01	56-103685-01	56-103685-01	56-103685-01	56-103685-01
41e	Stk	Water Sensor (2)	47-104184-01	47-104184-01	47-104184-01	47-104184-01	47-104184-01
41f		O-Ring (fits over tap and seats on Collector Box)	68-104386-02	68-104386-02	68-104386-02	68-104386-02	68-104386-02
42		Burner Assembly (Rack, Cover, Burners, Ignitor Bracket)	AS-104123-12	AS-104123-13	AS-104123-14	AS-104123-15	AS-104123-16
43		Burner Rack (One Piece Assembly)	AE-104121-02	AE-104121-03	AE-104121-04	AE-104121-05	AE-104121-06
44		Burner Rack Cover	AE-104122-02	AE-104122-03	AE-104122-04	AE-104122-05	AE-104122-06
44a		Screw - Burner Cover (2)	63-22153-01	63-22153-01	63-22153-01	63-22153-01	63-22153-01
45		Ignitor Bracket	10-61885-03	10-61885-03	10-61885-03	10-61885-03	10-61885-03
45a		Bracket (Limit - Manual Reset)	10-61913-04	10-61913-04	10-61913-04	10-61913-04	10-61913-04
46	Stk	Burners	75-104227-04 (4)	75-104227-04 (5)	75-104227-04 (6)	75-104227-04 (7)	75-104227-04 (8)
46a		Screw - Burner to Burner Rack	63-22153-05 (12)	63-22153-05 (12)	63-22153-05 (14)	63-22153-05 (18)	63-22153-05 (20)
47		Manifold (w/o Orifices)	81-104526-02	81-104526-03	81-104526-04	81-104526-05	81-104526-06
		High Altitude Kit	RXGY-F53	RXGY-F54	RXGY-F55	RXGY-F56	RXGY-F57
		Burner Orifice - Natural Gas	See Orifice Selection Chart				
		Burner Orifice - LP	See Orifice Selection Chart				
		Number of Orifices	(4)	(5)	(6)	(7)	(8)

No.	Notes	MODEL INPUT AIRFLOW CABINET WIDTH CONFIGURATION	U98VB	U98VB	U98VB	U98VB	U98VB
			060M	070M	085M	100M	115M
			3	3	5	5	5
			17	17	21	21	24
			USA	USA	USA	USA	USA
HEAT EXCHANGER, BURNER / MANIFOLD GROUP							
40	Stk	Heat Exchanger Assembly	AS-104120-10	AS-104120-31	AS-104120-18	AS-104120-19	AS-104120-21
41a	Stk	Collector Box Kit (includes Collector Box Gasket, Rubber Plugs, Water Sensors, O-Ring, Vinyl Cap, IDB Gasket and Mounting Screws)	68-104111-81	68-104111-96	68-104111-97	68-104111-98	68-104111-83
41b	Stk	Collector Box Gasket	68-103546-03	68-103546-03	68-103546-02	68-103546-02	68-103546-01
41c		Rubber Plug (2)	56-104377-01	56-104377-01	56-104377-01	56-104377-01	56-104377-01
41d		Vinyl Cap	56-103685-01	56-103685-01	56-103685-01	56-103685-01	56-103685-01
41e	Stk	Water Sensor (2)	47-104184-01	47-104184-01	47-104184-01	47-104184-01	47-104184-01
41f		O-Ring (fits over tap and seats on Collector Box)	68-104386-02	68-104386-02	68-104386-02	68-104386-02	68-104386-02
42		Burner Assembly (Rack, Cover, Burners, Ignitor Bracket)	AS-104123-21	AS-104123-22	AS-104123-23	AS-104123-24	AS-104123-25
43		Burner Rack (One Piece Assembly)	AE-104121-02	AE-104121-03	AE-104121-04	AE-104121-05	AE-104121-06
44		Burner Rack Cover	AE-104122-02	AE-104122-03	AE-104122-04	AE-104122-05	AE-104122-06
44a		Screw - Burner Cover (2)	63-22153-01	63-22153-01	63-22153-01	63-22153-01	63-22153-01
45		Ignitor Bracket	10-61885-03	10-61885-03	10-61885-03	10-61885-03	10-61885-03
45a		Bracket (Limit - Manual Reset)	10-61913-04	10-61913-04	10-61913-04	10-61913-04	10-61913-04
46	Stk	Burners	75-104227-05 (4)	75-104227-05 (5)	75-104227-05 (6)	75-104227-05 (7)	75-104227-05 (8)
46a		Screw - Burner to Burner Rack	63-22153-05 (12)	63-22153-05 (12)	63-22153-05 (14)	63-22153-05 (18)	63-22153-05 (20)
47		Manifold (w/o Orifices)	81-104526-02	81-104526-03	81-104526-04	81-104526-05	81-104526-06
		High Altitude Kit	RXGY-F53	RXGY-F54	RXGY-F55	RXGY-F56	RXGY-F57
		Burner Orifice - Natural Gas	See Orifice Selection Chart				
		Burner Orifice - LP	See Orifice Selection Chart				
		Number of Orifices	(4)	(5)	(6)	(7)	(8)

No.	Notes	MODEL GAS CODE	U98VA KE	U98VB KE	U98VB KL		
GAS CONTROLS							
50	Stk	Gas Valve - Natural Gas	60-102787-04	60-102787-04	60-102787-04		
	Stk,2	Gas Valve - LP	See Note 2	See Note 2	See Note 2		
51	Stk	Integrated Furnace Control Board (IFC)	62-105563-04	62-105563-04	62-105563-05		
		Memory Module for IFC	See Electrical Group				
52	Stk	Flame Sensor	62-23543-08	62-23543-08	62-23543-08		
53	Stk	Spark Ignitor	62-24141-05	62-24141-05	62-24141-05		
	Stk	LP Conversion Kit - U.S./Canadian Models	FP-37	FP-37	FP-37		

No.	Notes	MODEL GAS CODE	U98VA ALL	U98VB ALL			
ACCESSORY KIT							
		Outdoor Sensor Kit	RXGY-J02	RXGY-J02			

97/98% GAS FURNACE - ORIFICE SELECTION CHART - NATURAL GAS

CAUTION: Selection of the correct Natural Gas Orifice requires the following information for the specific installation:

1) Altitude in of the installation (ft.).

2) Average sea level energy content of the Natural Gas fuel from the local supplier (BTU/cu. ft.).

For detailed information and instructions for Orifice selection, see the Gas Furnace LP Conversion Kit Index 92-21519-71 and the latest edition of the National Fuel Gas Code Handbook, or the National Standard of Canada, Natural Gas and Propane Installation Code, CAN B149.1.

CAUTION: This information is provided for replacement purposes and altitude adjustment of rates other than 0 - 2000 feet only.

NOTE: This Orifice sizing chart is based on 14,000 BTU/HR per burner at sea level and conforms to a 2% degradation per thousand feet in elevation.

NOTE: Factory installed orifices are calculated and sized based on a Natural Gas heating value of 1100 BTU/cu. ft. and an elevation of 0 - 2000 ft.

Energy Value (BTU/cu. ft.)	Elevation (ft.)						
	0 - 2000	2001 - 3000	3001 - 4000	4001 - 5000	5001 - 6000	6001 - 7000	7001 - 8000
1100	62-22175-51	62-22175-51	62-22175-51	62-22175-50	62-22175-50	62-22175-50	62-22175-50
1050	62-22175-50	62-22175-50	62-22175-50	62-22175-50	62-22175-50	62-22175-50	62-22175-50
1000	62-22175-50	62-22175-50	62-22175-50	62-22175-49	62-22175-49	62-22175-49	62-22175-49
999	62-22175-50	62-22175-50	62-22175-50	62-22175-49	62-22175-49	62-22175-49	62-22175-49
950	62-22175-49	62-22175-49	62-22175-49	62-22175-49	62-22175-49	62-22175-49	62-22175-49
900	62-22175-49	62-22175-48	62-22175-48	62-22175-48	62-22175-48	62-22175-48	62-22175-48
899	62-22175-49	62-22175-48	62-22175-48	62-22175-48	62-22175-48	62-22175-48	62-22175-48
850	62-22175-48	62-22175-48	62-22175-48	62-22175-47	62-22175-47	62-22175-47	62-22175-47
800	62-22175-47	62-22175-47	62-22175-47	62-22175-46	62-22175-46	62-22175-46	62-22175-46
799	62-22175-47	62-22175-47	62-22175-47	62-22175-46	62-22175-46	62-22175-46	62-22175-46
750	62-22175-46	62-22175-46	62-22175-46	62-22175-46	62-22175-46	62-22175-46	62-22175-45
700	62-22175-44	62-22175-44	62-22175-44	62-22175-44	62-22175-44	62-22175-48	62-22175-49

97/98% GAS FURNACE - ORIFICE SELECTION CHART - LP

CAUTION: Selection of the correct LP Orifice requires the altitude of the specific installation (ft.).

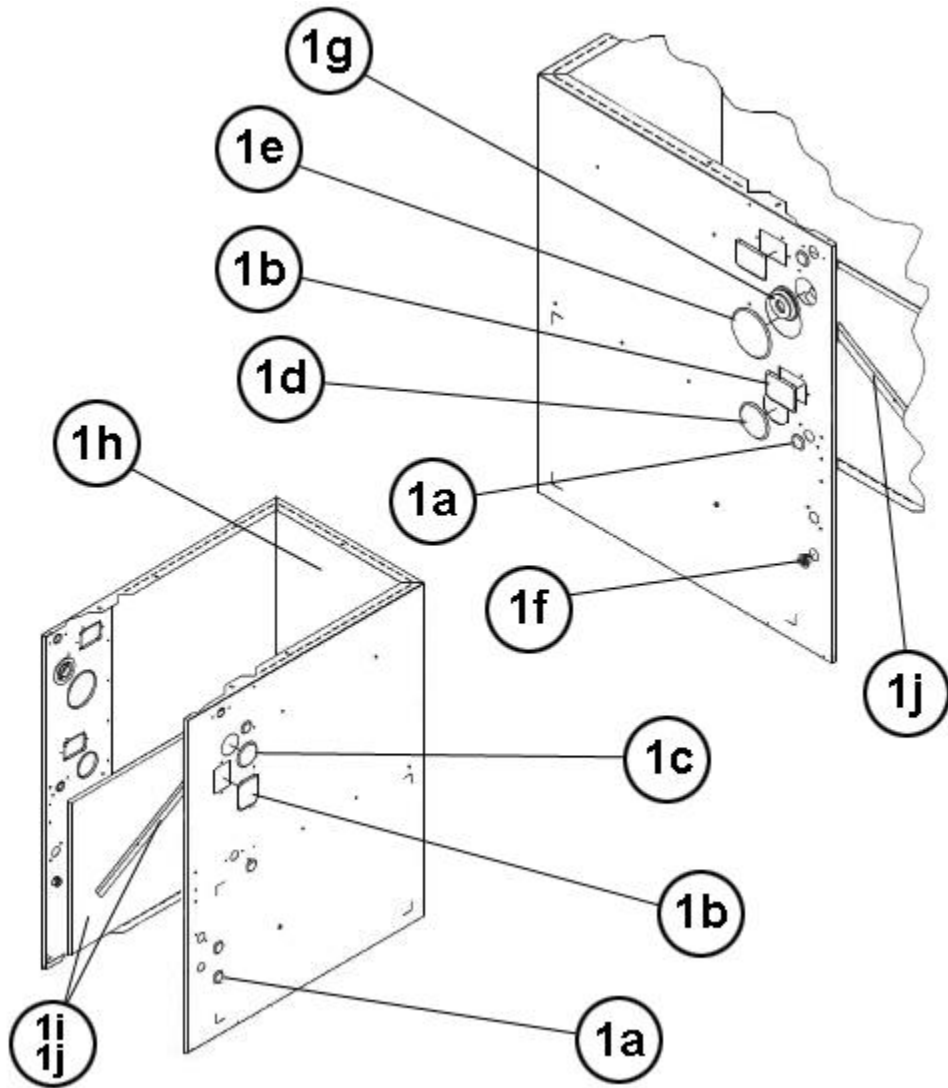
For detailed information and instructions for Orifice selection, see the Gas Furnace LP Conversion Kit Index 92-21519-71 and the latest edition of the National Fuel Gas Code Handbook (NFG), or the National Standard of Canada, Natural Gas and Propane Installation Code, CAN B149.1.

CAUTION: This information is provided for replacement purposes only. Conversion to LP or for operation at High Altitude should be done using the kit(s) specified on the product specification sheet for the unit.

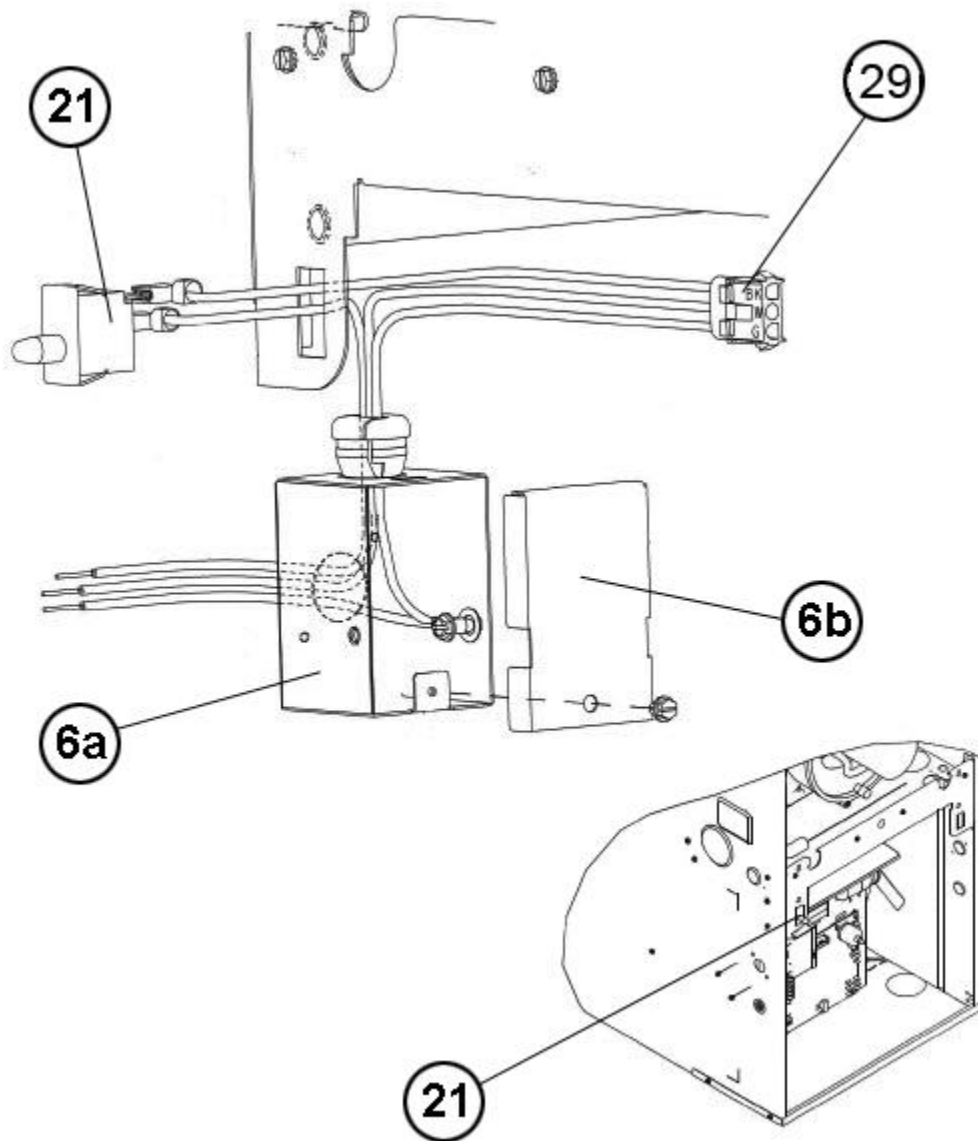
NOTE: This Orifice sizing chart is based on 14,000 BTU/HR per burner. Also, the chart is developed using the specified pressure setting of 10 in. water column instead of the 11.0 in water column used by the NFG and CANB149.1.

NOTE: Orifices supplied in the LP Conversion Kit are calculated and sized based on an altitude of 0 - 2000 ft.

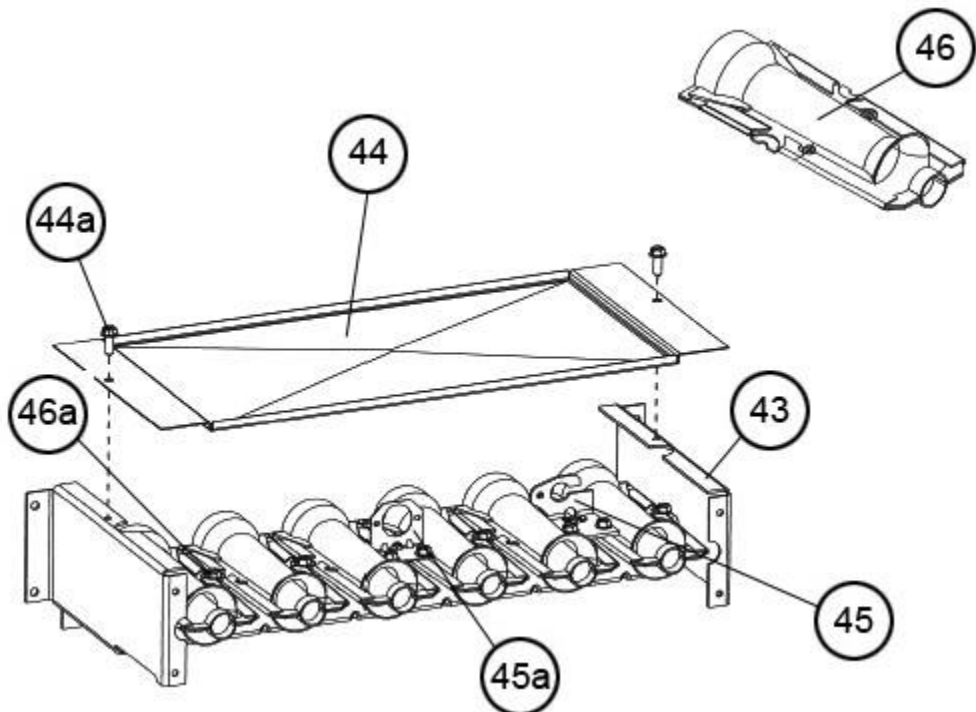
Elevation (ft.)	Input per burner average	Orifice (1.10mm)					
0 to 2000 ft.	14000	62-22175-90					
2001 to 3000	13440	62-22175-90					
3001 to 4000	13160	62-22175-90					
4001 to 5000	12880	62-22175-90					
5001 to 6000	12600	62-22175-90					
6001 to 7000	12320	62-22175-90					
7001 to 8000	12040	62-22175-90					



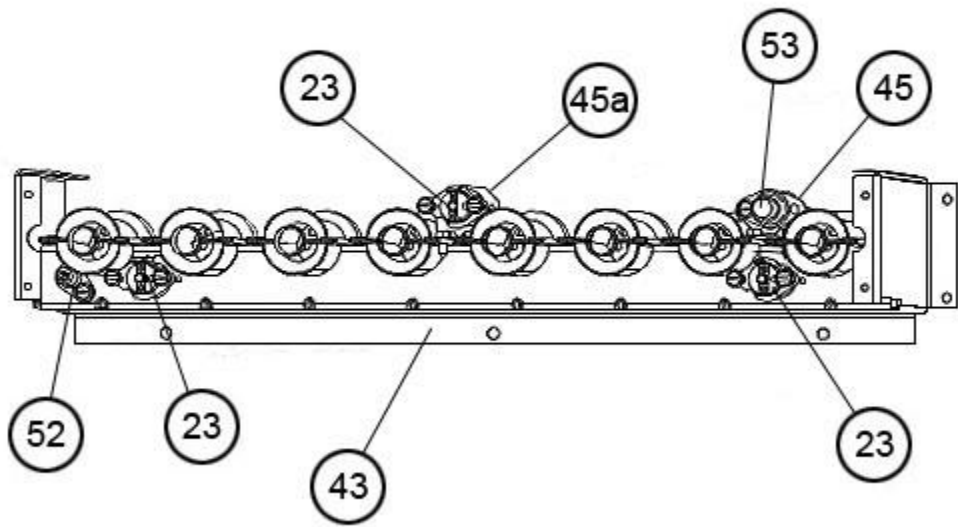
Cabinet Insulation and Plugs



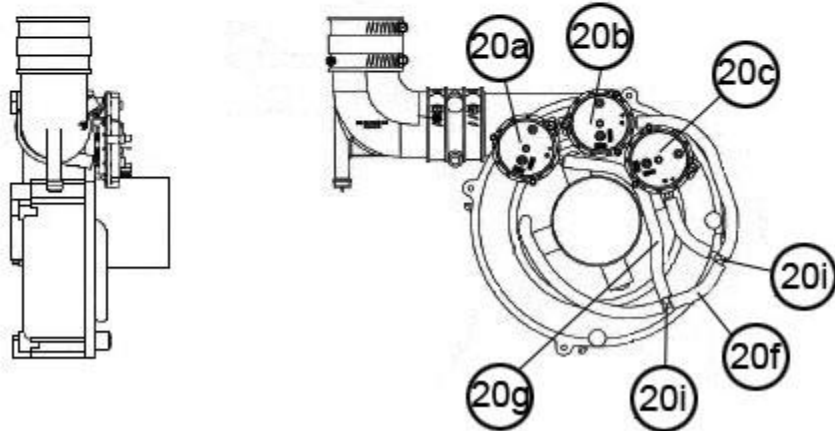
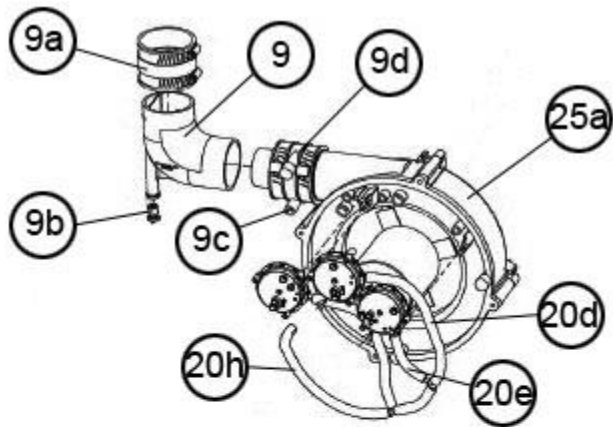
Junction Box



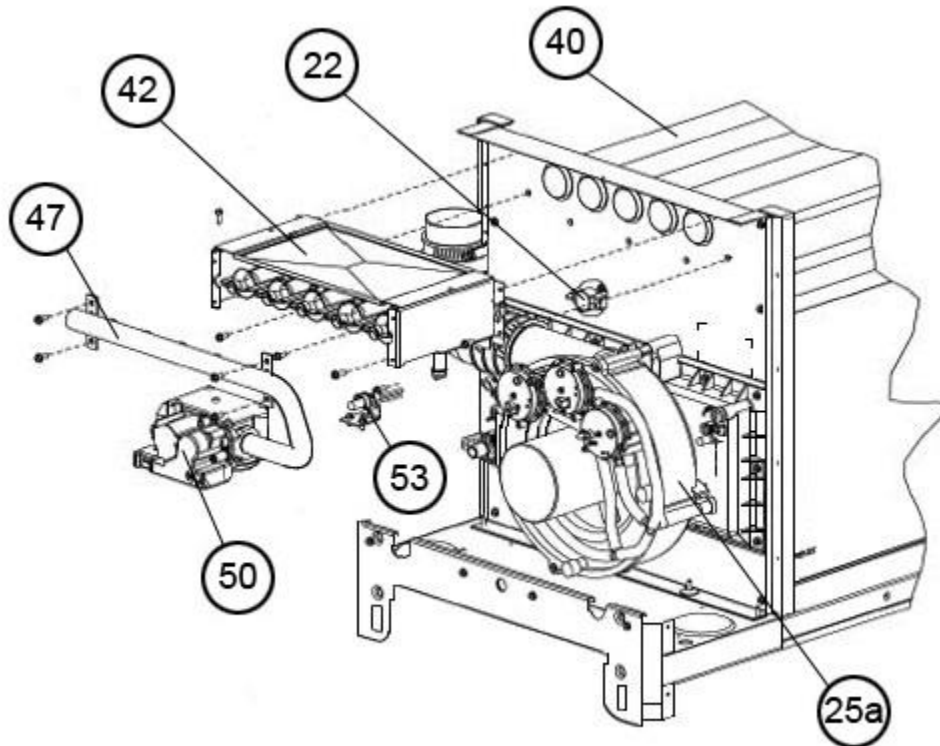
Burner-Assembly



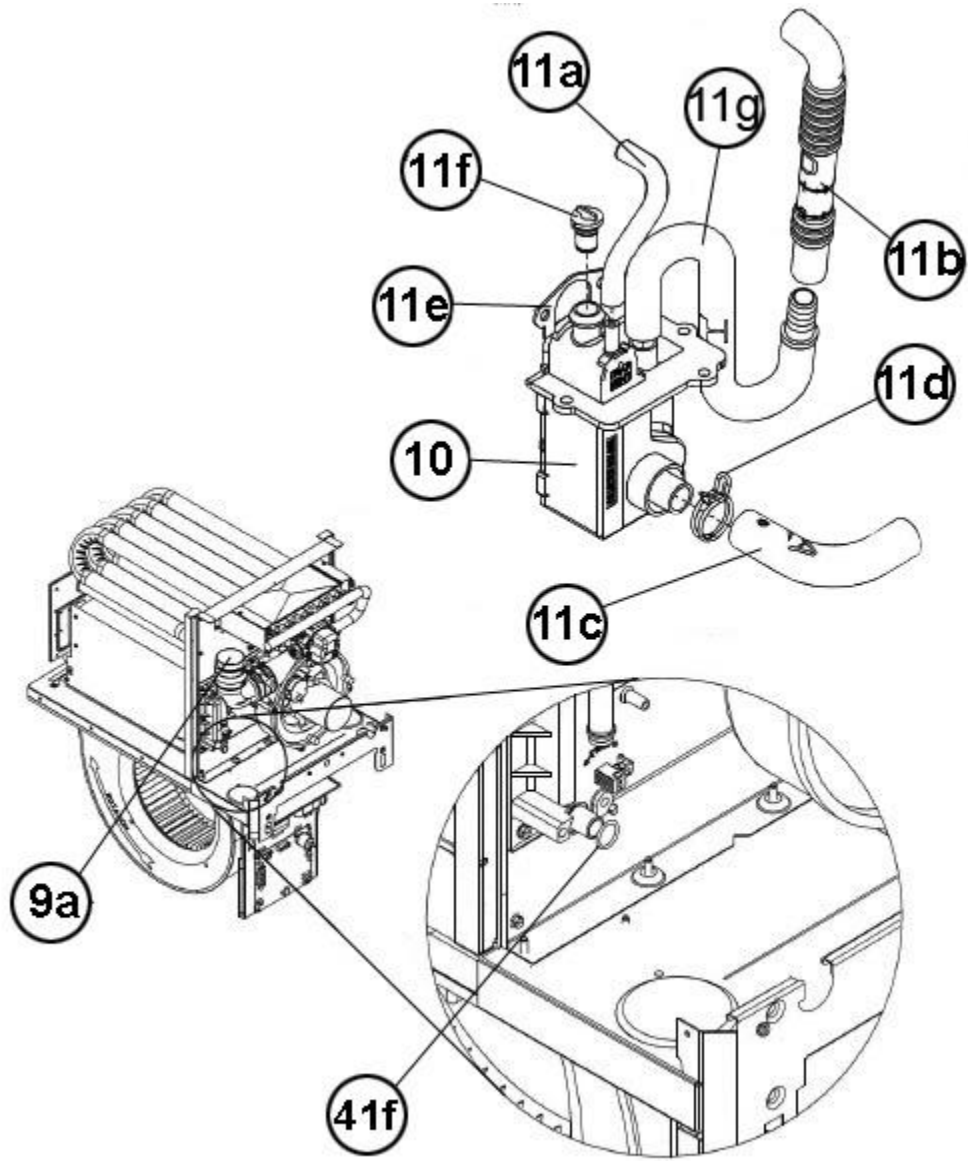
Flame Sensor-Limits



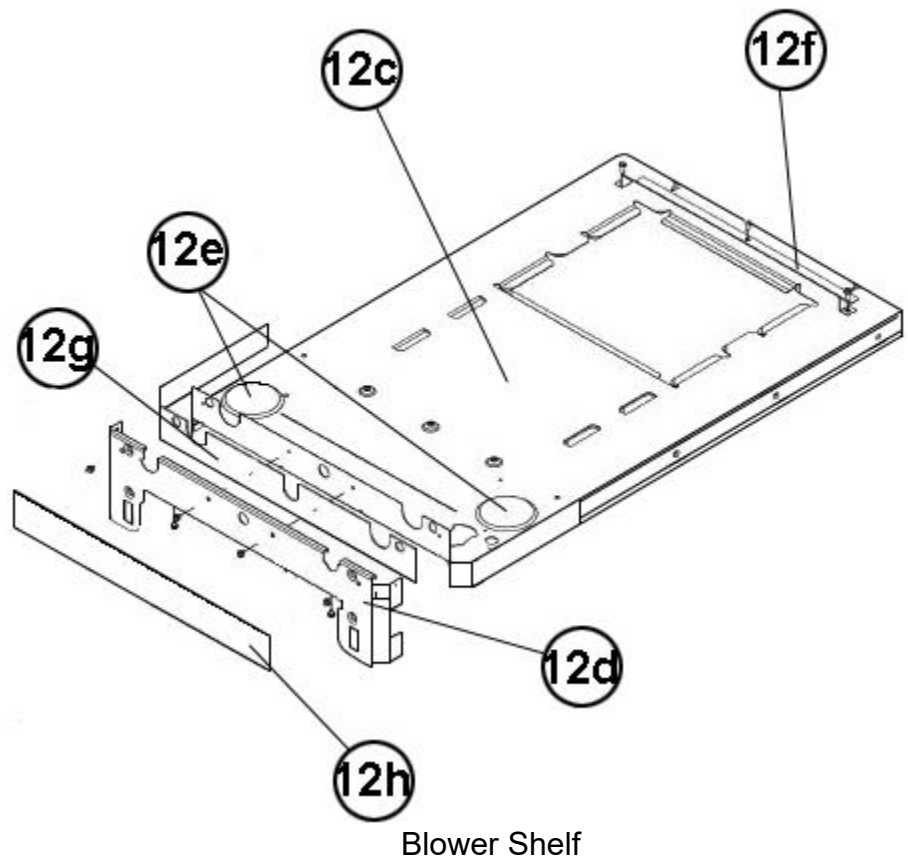
Pressure Switch -Tubing

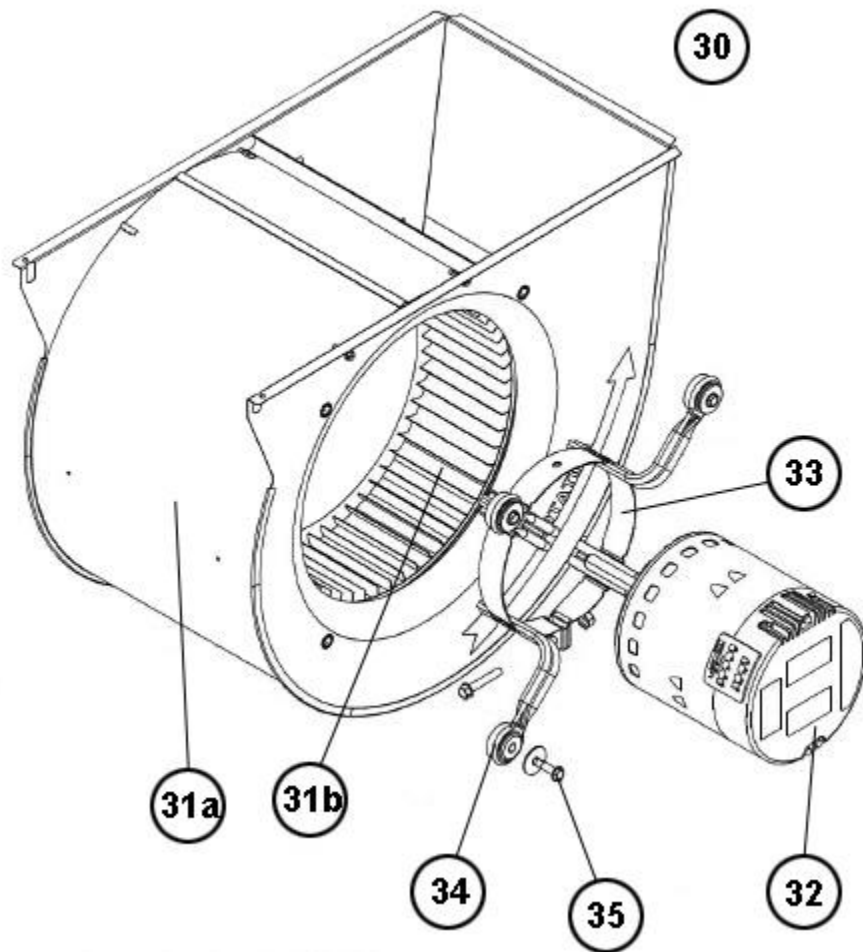


Burner-Gas Valve

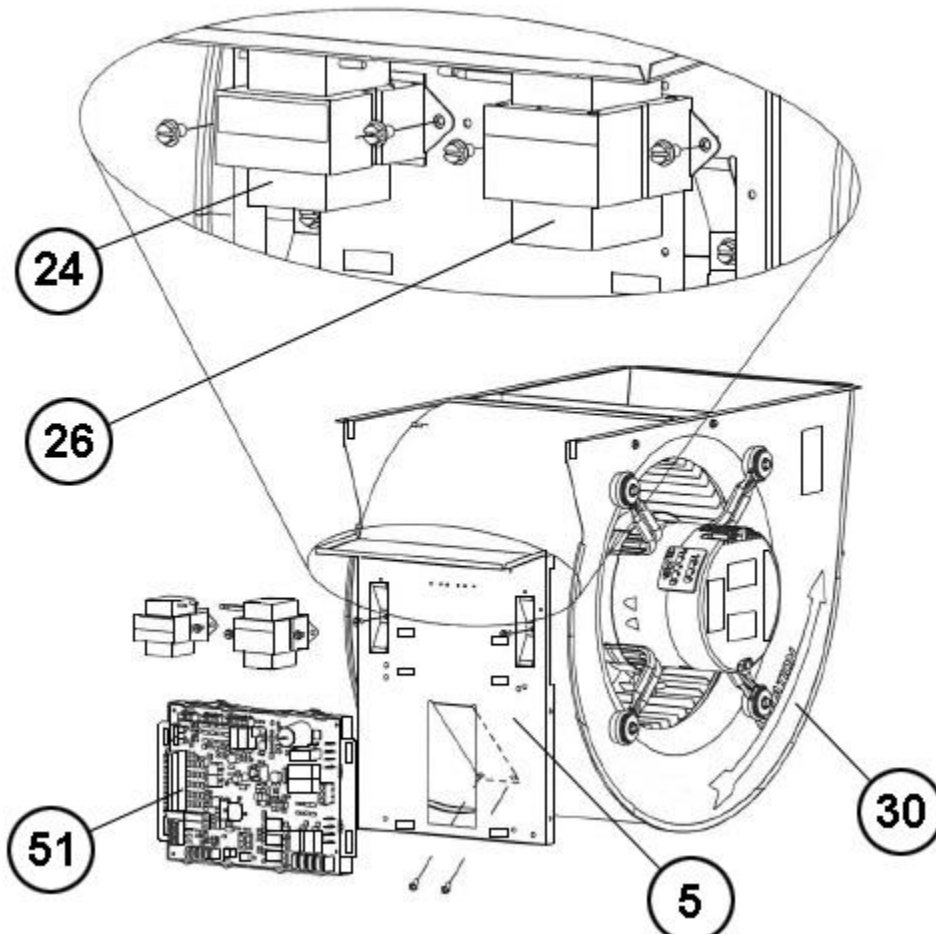


Trap - Hose Assembly

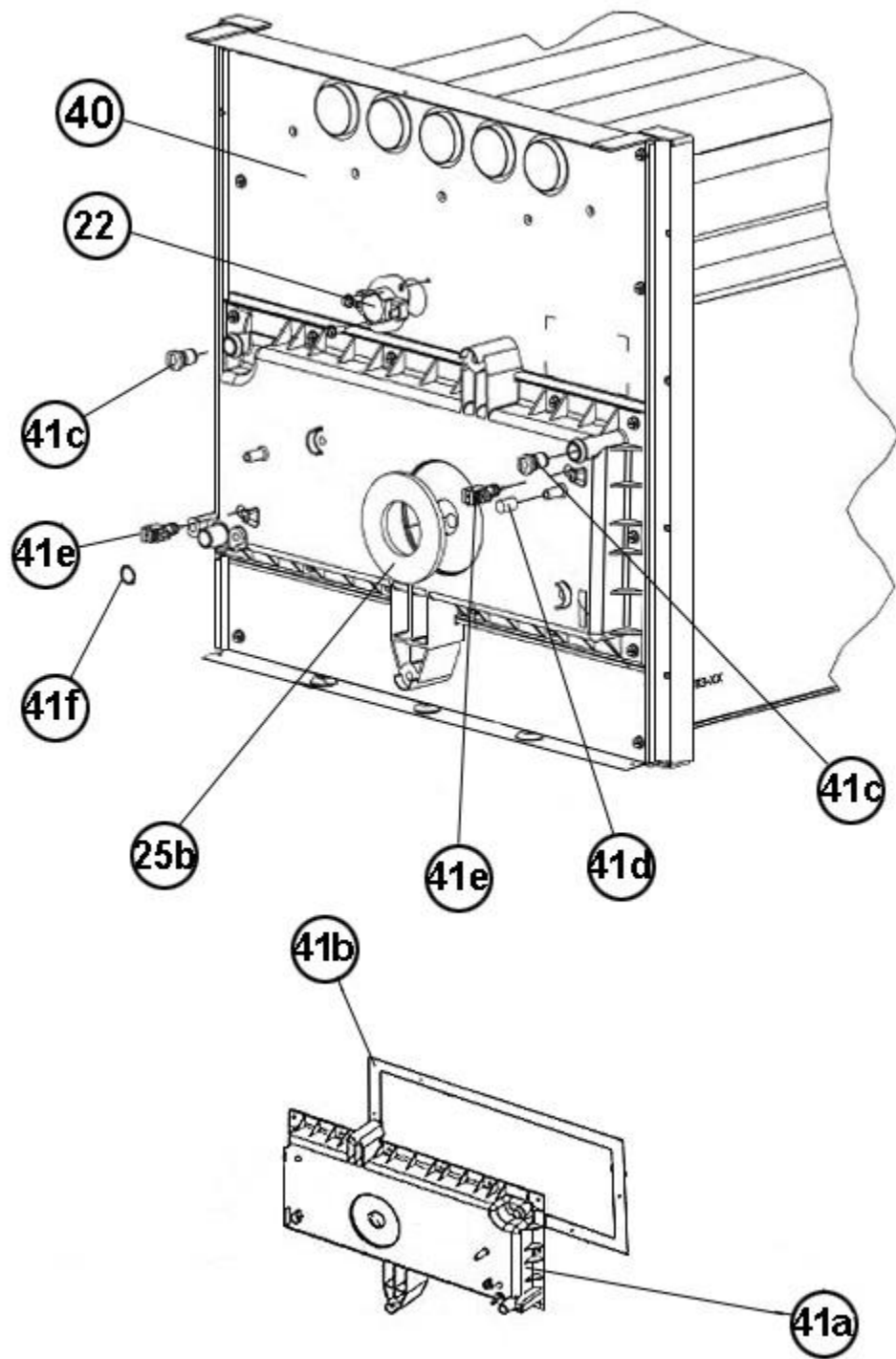




Blower Assembly

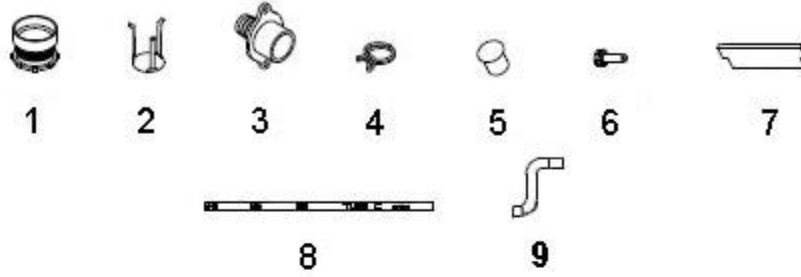


Control Board Mounting



Heat Exchanger - Collector Box

PARTS BAG(PROVIDED WITH UNIT)



Parts Bag

NOTES

Stk It is recommended that stock be maintained for this part.

N/A Not Applicable

- 1 Jacket is not available for replacement.
- 2 Order Gas Valve for Natural Gas along with LP Conversion Kit.
- 3 Order Silicon Tubing, 791004 (36 in. length), and cut as needed for individual tubing lengths.