



RHMV

Parts List
07-October-2021



*This parts list is current as of the above revision date.
See <http://www.rheempartslists.net/92-42801-RHMV.pdf> for the current revision.*

Air Handlers

Table of Contents

Model Explanation	Page 3
Parts Numbers	
Panels - Miscellaneous (1)	Page 4
Panels - Miscellaneous (2)	Page 5
Electrical Group	Page 6
Blower Group	Page 7
Coil Parts	Page 8
Heater Kits	Page 9
Drawings/Photographs	
Exploded View	Page 10
Blower Assembly	Page 11
Notes	Page 12

MODEL NUMBER EXPLANATION

R	H	M	V	2	4	1	7	S	E	A	C	J	A	***
1	2	3	4	5		6		7	8	9	10	11	12	13

- | | |
|--|---|
| <p>(1) BRAND</p> <p>(2) AIR HANDLER</p> <p>(3) STAGE OF AIRFLOW
M = Modulating</p> <p>(4) MOTOR TYPE
V = Variable Speed</p> <p>(5) CAPACITY (BTU/HR)
18 = 18,000 BTU/HR
24 = 24,000 BTU/HR
30 = 30,000 BTU/HR
36 = 36,000 BTU/HR
42 = 42,000 BTU/HR
48 = 48,000 BTU/HR
60 = 60,000 BTU/HR</p> <p>(6) WIDTH
17 = 17.5 in. (600 - 1200 CFM)
21 = 21 in. (800 - 1600 CFM)
24 = 24.5 in. (1400 - 1800 CFM)</p> <p>(7) EFFICIENCY
S = Standard
M = Medium
H = High
U = Ultra</p> | <p>(8) METERING DEVICE
T = TEV
E = EEV
P = Piston
N = None</p> <p>(9) MAJOR SERIES
A = First</p> <p>(10) CONTROLS
C = Communicating
N = Non-Communicating</p> <p>(11) VOLTAGE
A = 115/1/60
D = 460/3/60
J = 208-230/1/60
T = 220-240/1/50</p> <p>(12) MINOR SERIES
A = First</p> <p>(13) OPTION CODE
Blank = None</p> |
|--|---|

SERIAL NUMBER EXPLANATION

W	0	7	0	9	9	9	9	9	9
1	2		3		4				

- 1 PRODUCTION LOCATION**
W = Nuevo Laredo (West)
- 2 WEEK OF PRODUCTION**
- 3 YEAR OF PRODUCTION**
- 4 PRODUCTION NUMBER**

No.	Notes	MODEL	RHMV	RHMV	RHMV	RHMV	RHMV	
		CAPACITY	24	24	24	24	24	
		CABINET SIZE	17	21	21	21	21	
		COIL SIZE/METERING	SE	HE	UE	ME	MN	
		MAJOR SERIES/CONTROLS	AC	AC	AC	AC	AC	
		VOLTAGE/MINOR SERIES	JA	JA	JA	JA	JA	
PANELS, SHEET METAL, MISCELLANEOUS								
		Insulation - Cabinet	68-101121-01	68-101121-03	68-101121-15	68-101121-02	68-101121-02	
		Insulation Retainer Rod (2)	45-102868-02	45-102868-03	45-102868-03	45-102868-03	45-102868-03	
2		Coil Door	AE-100685-32	AE-100685-34	AE-100685-37	AE-100685-33	AE-100685-33	
		Insulation - Coil Door	68-101577-06	68-101577-08	68-101577-10	68-101577-07	68-101577-07	
3		Top Cover Plate	AE-100686-31	AE-100686-32	AE-100686-32	AE-100686-32	AE-100686-32	
		Insulation - Top Cover Plate	68-101122-01	68-101122-02	68-101122-02	68-101122-02	68-101122-02	
4		Blower Door	AE-100684-31	AE-100684-32	AE-100684-32	AE-100684-32	AE-100684-32	
		Insulation - Blower Door	68-101576-01	68-101576-02	68-101576-02	68-101576-02	68-101576-02	
5		Access Panel	AE-101133-31	AE-101133-31	AE-101133-31	AE-101133-31	AE-101133-31	
		Insulation - Access Panel	68-101644-01	68-101644-01	68-101644-01	68-101644-01	68-101644-01	
6		Drain Pan - Vertical	See RCH Coil Parts List					
7		Drain Pan - Horizontal	See RCH Coil Parts List					
8		Plate - Block Off	AE-100455-01	AE-100455-01	AE-100455-01	AE-100455-01	AE-100455-01	
9		Cabinet Brace	AE-101134-02	AE-101134-03	AE-101134-03	AE-101134-03	AE-101134-03	
10		Middle Brace	AE-101054-01	AE-101054-02	AE-101054-02	AE-101054-02	AE-101054-02	
13a		Heat Barrier	AE-100683-03	AE-100683-06	AE-100683-06	AE-100683-05	AE-100683-05	
13b		Heat Barrier Side (2)	AE-104241-01	AE-104241-01	AE-104241-01	AE-104241-01	AE-104241-01	
		Touch-up Paint - Granite/Steel Gray (Aerosol)	PD523018	PD523018	PD523018	PD523018	PD523018	
		Touch-up Paint - Granite/Steel Gray (Paint Pens)	PD523019	PD523019	PD523019	PD523019	PD523019	

No.	Notes	MODEL	RHMV	RHMV	RHMV	RHMV		
		CAPACITY	30	36	36	48		
		CABINET SIZE	21	17	21	21		
		COIL SIZE/METERING	SN	SE	MN	SN		
		MAJOR SERIES/CONTROLS	AC	AC	AC	AC		
		VOLTAGE/MINOR SERIES	JA	JA	JA	JA		
PANELS, SHEET METAL, MISCELLANEOUS								
		Insulation - Cabinet	68-101121-02	68-101121-01	68-101121-15	68-101121-15		
		Insulation Retainer Rod (2)	45-102868-03	45-102868-02	45-102868-03	45-102868-03		
2		Coil Door	AE-100685-33	AE-100685-32	AE-100685-37	AE-100685-37		
		Insulation - Coil Door	68-101577-07	68-101577-06	68-101577-10	68-101577-10		
3		Top Cover Plate	AE-100686-32	AE-100686-31	AE-100686-32	AE-100686-32		
		Insulation - Top Cover Plate	68-101122-02	68-101122-01	68-101122-02	68-101122-02		
4		Blower Door	AE-100684-32	AE-100684-31	AE-100684-32	AE-100684-32		
		Insulation - Blower Door	68-101576-02	68-101576-01	68-101576-02	68-101576-02		
5		Access Panel	AE-101133-31	AE-101133-31	AE-101133-31	AE-101133-31		
		Insulation - Access Panel	68-101644-01	68-101644-01	68-101644-01	68-101644-01		
6		Drain Pan - Vertical	See RCH Coil Parts List					
7		Drain Pan - Horizontal	See RCH Coil Parts List					
8		Plate - Block Off	AE-100455-01	AE-100455-01	AE-100455-01	AE-100455-01		
9		Cabinet Brace	AE-101134-03	AE-101134-02	AE-101134-03	AE-101134-03		
10		Middle Brace	AE-101054-02	AE-101054-01	AE-101054-02	AE-101054-02		
13a		Heat Barrier	AE-100683-05	AE-100683-03	AE-100683-06	AE-100683-06		
13b		Heat Barrier Side (2)	AE-104241-01	AE-104241-01	AE-104241-01	AE-104241-01		
		Touch-up Paint - Granite/Steel Gray (Aerosol)	PD523018	PD523018	PD523018	PD523018		
		Touch-up Paint - Granite/Steel Gray (Paint Pens)	PD523019	PD523019	PD523019	PD523019		

No.	Notes	MODEL	RHMV	RHMV		
		CAPACITY	60	60		
		CABINET SIZE	21	24		
		COIL SIZE/METERING	SE	ME		
		MAJOR SERIES/CONTROLS	AC	AC		
		VOLTAGE/MINOR SERIES	JA	JA		
PANELS, SHEET METAL, MISCELLANEOUS						
		Insulation - Cabinet	68-101121-15	68-101121-04		
		Insulation Retainer Rod (2)	45-102868-03	45-102868-04		
2		Coil Door	AE-100685-37	AE-100685-36		
		Insulation - Coil Door	68-101577-10	68-101577-09		
3		Top Cover Plate	AE-100686-32	AE-100686-33		
		Insulation - Top Cover Plate	68-101122-02	68-101122-03		
4		Blower Door	AE-100684-32	AE-100684-33		
		Insulation - Blower Door	68-101576-02	68-101576-03		
5		Access Panel	AE-101133-31	AE-101133-31		
		Insulation - Access Panel	68-101644-01	68-101644-01		
6		Drain Pan - Vertical	See RCH Coil Parts List			
7		Drain Pan - Horizontal	See RCH Coil Parts List			
8		Plate - Block Off	AE-100455-01	AE-100455-01		
9		Cabinet Brace	AE-101134-03	AE-101134-04		
10		Middle Brace	AE-101054-02	AE-101054-03		
13a		Heat Barrier	AE-100683-06	AE-100683-08		
13b		Heat Barrier Side (2)	AE-104241-01	AE-104241-01		
		Touch-up Paint - Granite/Steel Gray (Aerosol)	PD523018	PD523018		
		Touch-up Paint - Granite/Steel Gray (Paint Pens)	PD523019	PD523019		

No.	Notes	MODEL	RHMV	RHMV	RHMV	RHMV
		CAPACITY	24	24	24	24
		CABINET SIZE	17	21	21	21
		COIL SIZE/METERING	SE	HE	UE	ME
		MAJOR SERIES/CONTROLS	AC	AC	AC	AC
		VOLTAGE/MINOR SERIES	JA	JA	JA	JA
ELECTRICAL GROUP						
17	Stk	Transformer	46-101905-01	46-101905-01	46-101905-01	46-101905-01
18	Stk	Control Board	47-105415-01	47-105415-01	47-105415-02	47-105415-01
		Control Identity EEPROM	47-102738-65	47-102738-117	47-102738-150	47-102738-62
		Wiring Harness - 9 Pin Molex to 9 stripped wires (For T-Stat)	45-101891-02	45-101891-02	45-101891-02	45-101891-02
		Wiring Harness - 7 Pin Molex to 7 stripped wires (Communication)	45-101891-07	45-101891-07	45-101891-07	45-101891-07
		Wiring Harness - 5 pin to 1 Ring and 2 Straight Terminals	45-24258-16	45-24258-16	45-24258-16	45-24258-16
		Wiring Harness - 4 pin to 4 pin (Indoor Blower Motor)	45-24258-31	45-24258-31	45-24258-31	45-24258-31
		Wiring Harness - Pressure Transducer	45-104130-03	45-104130-03	45-104130-03	45-104130-03
11		Terminal Block	45-23222-02	45-23222-02	45-23222-02	45-23222-02
		Sensor/Clip Assembly (EXV Thermistor)	47-102710-16	47-102710-16	47-102710-16	47-102710-16

No.	Notes	MODEL	RHMV	RHMV	RHMV	
		CAPACITY	36	60	60	
		CABINET SIZE	17	21	24	
		COIL SIZE/METERING	SE	SE	ME	
		MAJOR SERIES/CONTROLS	AC	AC	AC	
		VOLTAGE/MINOR SERIES	JA	JA	JA	
ELECTRICAL GROUP						
17	Stk	Transformer	46-101905-01	46-101905-01	46-101905-01	
18	Stk	Control Board	47-105415-01	47-105415-01	47-105415-01	
		Control Identity EEPROM	47-102738-66	47-102738-63	47-102738-64	
		Wiring Harness - 9 Pin Molex to 9 stripped wires (For T-Stat)	45-101891-02	45-101891-02	45-101891-02	
		Wiring Harness - 7 Pin Molex to 7 stripped wires (Communication)	45-101891-07	45-101891-07	45-101891-07	
		Wiring Harness - 5 pin to 1 Ring and 2 Straight Terminals	45-24258-16	45-24258-16	45-24258-16	
		Wiring Harness - 4 pin to 4 pin (Indoor Blower Motor)	45-24258-31	45-24258-31	45-24258-31	
		Wiring Harness - Pressure Transducer	45-104130-03	45-104130-03	45-104130-03	
11		Terminal Block	45-23222-02	45-23222-02	45-23222-02	
		Sensor/Clip Assembly (EXV Thermistor)	47-102710-16	47-102710-16	47-102710-16	

No.	Notes	MODEL	RHMV	RHMV	RHMV	RHMV
		CAPACITY	24	30	36	48
		CABINET SIZE	21	21	21	21
		COIL SIZE/METERING	MN	SN	MN	SN
		MAJOR SERIES/CONTROLS	AC	AC	AC	AC
		VOLTAGE/MINOR SERIES	JA	JA	JA	JA
ELECTRICAL GROUP						
17	Stk	Transformer	46-101905-01	46-101905-01	46-101905-01	46-101905-01
18	Stk	Control Board Kit (Includes Control and Communication Boards)	AS-107913-81	AS-107913-82	AS-107913-83	AS-107913-84
11		Terminal Block (Power)	K9382318185	K9382318185	K9382318185	K9382318185
11		Terminal Block (RC/external Input)	K9900896027	K9900896027	K9900896027	K9900896027
		Coil Sensor	K9901058004	K9901058004	K9901058004	K9901058004
		Thermistor (Room)	K9382318215	K9382318215	K9382318215	K9382318215

No.	Notes	MODEL	RHMV	RHMV	RHMV	RHMV
		CAPACITY	24	24	24	24
		CABINET SIZE	17	21	21	21
		COIL SIZE/METERING	SE	HE	UE	ME
		MAJOR SERIES/CONTROLS	AC	AC	AC	AC
		VOLTAGE/MINOR SERIES	JA	JA	JA	JA
BLOWER GROUP						
15	Stk	Blower Assembly (Includes items 16-22) before W0417	AS-101885-25	AS-101885-29	AS-101885-26	AS-101885-25
15	Stk	Blower Assembly (Includes items 16-22) on or after W0417	AS-101885-25	AS-101885-28	AS-101885-26	AS-101885-25
16		Mounting Bracket - Control Board	AE-101049-01	AE-101049-01	AE-101049-01	AE-101049-01
17		Transformer	See Electrical Group			
18		Control Board	See Electrical Group			
		Control Identity EEPROM	See Electrical Group			
19		Blower Housing w/Wheel (before W0417)	70-101729-02	70-101729-08	70-101729-08	70-101729-02
	Stk	Blower Wheel (before W0417)	703014	703023	703023	703014
19		Blower Housing w/Wheel (on or after W0417)	70-101729-02	70-101729-02	70-101729-08	70-101729-02
	Stk	Blower Wheel (on or after W0417)	703014	703014	703023	703014
20		Motor Mount - Band	70-19927-04	70-19927-04	70-19927-04	70-19927-04
21		Motor Mount - Arm (4)	70-19929-10	70-19929-10	70-19929-10	70-19929-10
22	Stk	Blower Motor	51-104388-01	51-104389-01	51-102603-01	51-104388-01
23		Mounting Bracket Cover	AE-101797-01	AE-101797-01	AE-101797-01	AE-101797-01

No.	Notes	MODEL	RHMV	RHMV	RHMV	
		CAPACITY	36	60	60	
		CABINET SIZE	17	21	24	
		COIL SIZE/METERING	SE	SE	ME	
		MAJOR SERIES/CONTROLS	AC	AC	AC	
		VOLTAGE/MINOR SERIES	JA	JA	JA	
BLOWER GROUP						
15	Stk	Blower Assembly (Includes items 16-22)	AS-101885-28	AS-101885-26	AS-101885-27	
16		Mounting Bracket - Control Board	AE-101049-01	AE-101049-01	AE-101049-01	
17		Transformer	See Electrical Group			
18		Control Board	See Electrical Group			
		Control Identity EEPROM	See Electrical Group			
19		Blower Housing w/Wheel	70-101729-02	70-101729-08	70-101729-04	
	Stk	Blower Wheel	703014	703023	703015	
20		Motor Mount - Band	70-19927-04	70-19927-04	70-19927-04	
21		Motor Mount - Arm (4)	70-19929-10	70-19929-10	70-19929-10	
22	Stk	Blower Motor	51-104389-01	51-102603-01	51-102603-01	
23		Mounting Bracket Cover	AE-101797-01	AE-101797-01	AE-101797-01	

No.	Notes	MODEL	RHMV	RHMV	RHMV	RHMV
		CAPACITY	24	30	36	48
		CABINET SIZE	21	21	21	21
		COIL SIZE/METERING	MN	SN	MN	SN
		MAJOR SERIES/CONTROLS	AC	AC	AC	AC
		VOLTAGE/MINOR SERIES	JA	JA	JA	JA
BLOWER GROUP						
16		Mounting Bracket - Control Board	10-101049-03	10-101049-03	10-101049-03	10-101049-03
17		Transformer	See Electrical Group			
18		Control Board	See Electrical Group			
19		Blower Housing w/Wheel	70-101729-02	70-101729-02	70-101729-08	70-101729-08
	Stk	Blower Wheel	703014	703014	703023	703023
20		Motor Mount - Band	70-19927-04	70-19927-04	70-19927-04	70-19927-04
21		Motor Mount - Arm (4)	70-19929-10	70-19929-10	70-19929-10	70-19929-10
22	Stk	Blower Motor	51-102601-01	51-102601-01	51-102603-01	51-102603-01
23		Mounting Bracket Cover	10-101797-03	10-101797-03	10-101797-03	10-101797-03

No.	Notes	MODEL	RHMV	RHMV	RHMV	RHMV
		CAPACITY	24	24	24	24
		CABINET SIZE	17	21	21	21
		COIL SIZE/METERING	SE	HE	UE	ME
		MAJOR SERIES/CONTROLS	AC	AC	AC	AC
VOLTAGE/MINOR SERIES	JA	JA	JA	JA		
COIL GROUP						
12		Replacement Coil w/TXV	RCH-2417SEAVUA	RCH-3621MEAVUA	RCH-2421UEAVUA	RCH-2421MEAVUA
		Horizontal Adapter Kit	See specified RCH Coil Parts List			
		Drain Pan - Vertical	See specified RCH Coil Parts List			
		TXV	See specified RCH Coil Parts List			

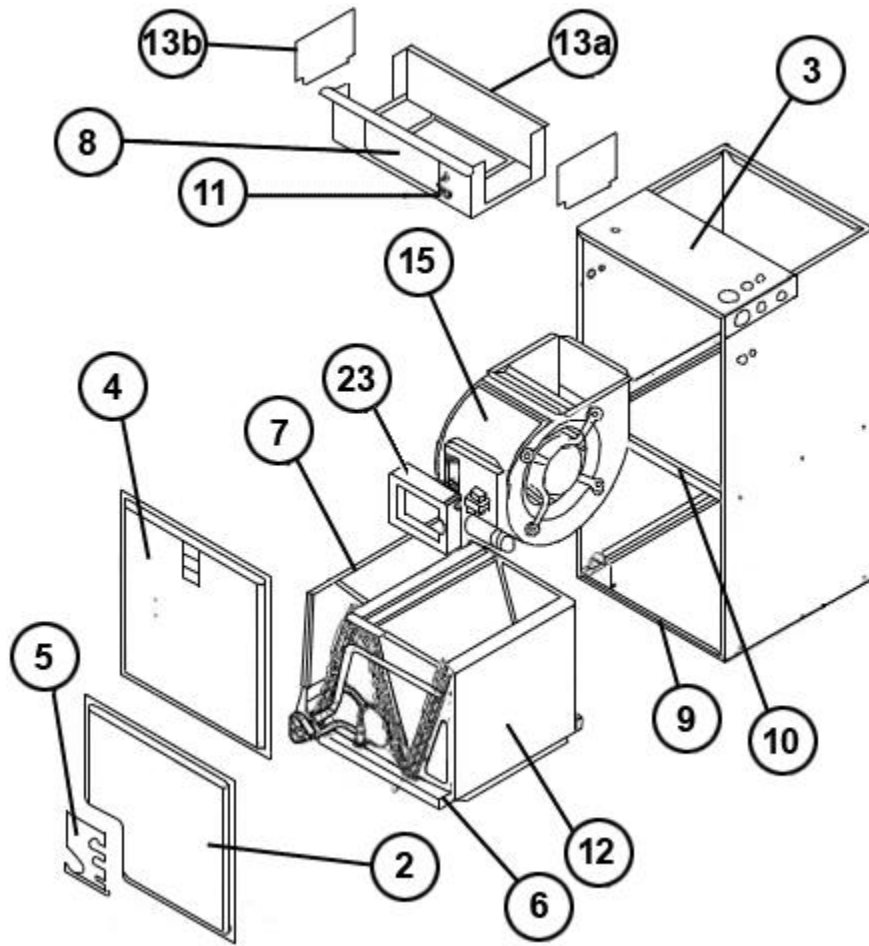
No.	Notes	MODEL	RHMV	RHMV	RHMV	
		CAPACITY	36	60	60	
		CABINET SIZE	17	21	24	
		COIL SIZE/METERING	SE	SE	ME	
		MAJOR SERIES/CONTROLS	AC	AC	AC	
VOLTAGE/MINOR SERIES	JA	JA	JA			
COIL GROUP						
12		Replacement Coil w/TXV	RCH-3617SEAVUA	RCH-6021SEAVUA	RCH-6024MEAVUA	
		Horizontal Adapter Kit	See specified RCH Coil Parts List			
		Drain Pan - Vertical	See specified RCH Coil Parts List			
		TXV	See specified RCH Coil Parts List			

No.	Notes	MODEL	RHMV	RHMV	RHMV	RHMV
		CAPACITY	24	30	36	48
		CABINET SIZE	21	21	21	21
		COIL SIZE/METERING	MN	SN	MN	SN
		MAJOR SERIES/CONTROLS	AC	AC	AC	AC
VOLTAGE/MINOR SERIES	JA	JA	JA	JA		
COIL GROUP						
12		Replacement Coil w/TXV	RCH-3021SNAMUA	RCH-3021SNAMUA	RCH-4821SNAMUA	RCH-4821SNAMUA
		Horizontal Adapter Kit	See specified RCH Coil Parts List			
		Drain Pan - Vertical	See specified RCH Coil Parts List			
		TXV	See specified RCH Coil Parts List			

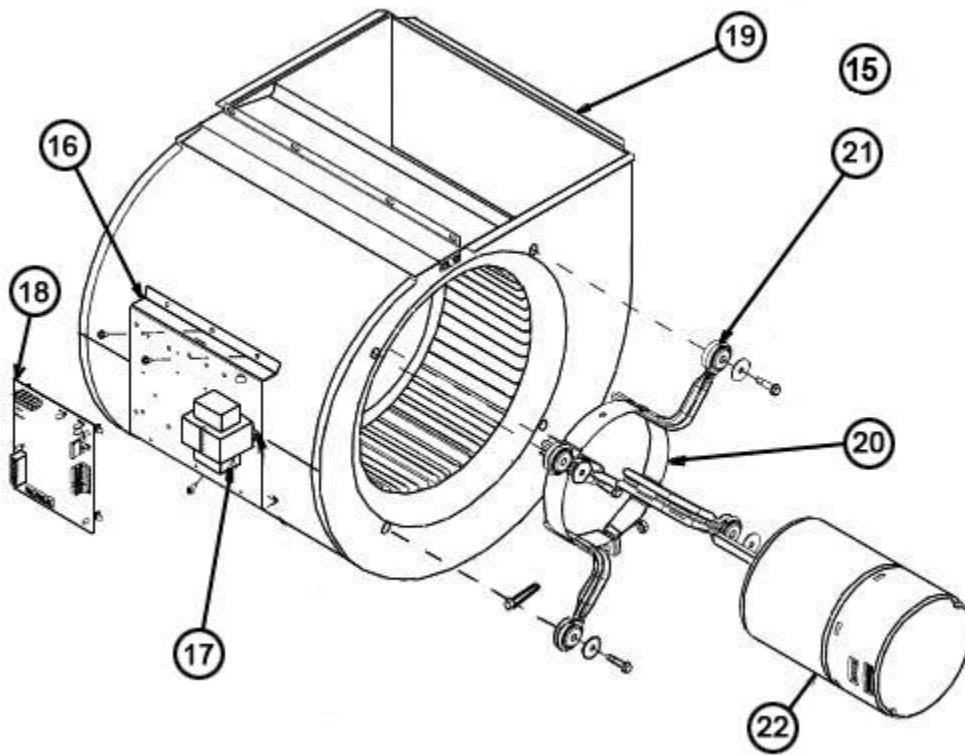
No.	Notes	MODEL	RHMV	RHMV	RHMV	RHMV
		CAPACITY	24	24	24	24
		CABINET SIZE	17	21	21	21
		COIL SIZE/METERING	SE	HE	UE	ME
		MAJOR SERIES/CONTROLS	AC	AC	AC	AC
		VOLTAGE/MINOR SERIES	JA	JA	JA	JA
HEATER KITS						
		Heater Kit - 3kW/208-240/1	RXBH-1724A03J	RXBH-1724A03J	RXBH-1724A03J	RXBH-1724A03J
		Heater Kit - 5kW/208-240/1	RXBH-1724A05J RXBH-1724B05J RXBH-1724C05J	RXBH-1724A05J RXBH-1724B05J RXBH-1724C05J	RXBH-1724A05J RXBH-1724B05J RXBH-1724C05J	RXBH-1724A05J RXBH-1724B05J RXBH-1724C05J
		Heater Kit - 7kW/208-240/1	RXBH-1724A07J RXBH-1724B07J RXBH-1724C07J	RXBH-1724A07J RXBH-1724B07J RXBH-1724C07J	RXBH-1724A07J RXBH-1724B07J RXBH-1724C07J	RXBH-1724A07J RXBH-1724B07J RXBH-1724C07J
		Heater Kit - 10kW/208-240/1	RXBH-1724A10J RXBH-1724B10J RXBH-1724C10J	RXBH-1724A10J RXBH-1724B10J RXBH-1724C10J	RXBH-1724A10J RXBH-1724B10J RXBH-1724C10J	RXBH-1724A10J RXBH-1724B10J RXBH-1724C10J
		Heater Kit - 15kW/208-240/1	N/A	N/A	N/A	N/A
		Heater Kit - 18kW/208-240/1	N/A	N/A	N/A	N/A

No.	Notes	MODEL	RHMV	RHMV	RHMV	
		CAPACITY	36	60	60	
		CABINET SIZE	17	21	24	
		COIL SIZE/METERING	SE	SE	ME	
		MAJOR SERIES/CONTROLS	AC	AC	AC	
		VOLTAGE/MINOR SERIES	JA	JA	JA	
HEATER KITS						
		Heater Kit - 5kW/208-240/1	RXBH-1724A05J RXBH-1724B05J RXBH-1724C05J	RXBH-1724A05J RXBH-1724B05J RXBH-1724C05J	RXBH-1724A05J RXBH-1724B05J RXBH-1724C05J	
		Heater Kit - 7kW/208-240/1	RXBH-1724A07J RXBH-1724B07J RXBH-1724C07J	RXBH-1724A07J RXBH-1724B07J RXBH-1724C07J	RXBH-1724A07J RXBH-1724B07J RXBH-1724C07J	
		Heater Kit - 10kW/208-240/1	RXBH-1724A10J RXBH-1724B10J RXBH-1724C10J	RXBH-1724A10J RXBH-1724B10J RXBH-1724C10J	RXBH-1724A10J RXBH-1724B10J RXBH-1724C10J	
		Heater Kit - 15kW/208-240/1	RXBH-1724A15J	RXBH-1724A15J	RXBH-1724A15J	
		Heater Kit - 18kW/208-240/1	RXBH-1724A18J	RXBH-1724A18J	RXBH-1724A18J	
		Heater Kit - 20kW/208-240/1	RXBH-24A20J	RXBH-24A20J	RXBH-24A20J	
		Heater Kit - 25kW/208-240/1	RXBH-24A25J	RXBH-24A25J	RXBH-24A25J	
		Heater Kit - 30kW/208-240/1	N/A	N/A	RXBH-24A30J	

No.	Notes	MODEL	RHMV	RHMV	RHMV	RHMV
		CAPACITY	24	30	36	48
		CABINET SIZE	21	21	21	21
		COIL SIZE/METERING	MN	SN	MN	SN
		MAJOR SERIES/CONTROLS	AC	AC	AC	AC
		VOLTAGE/MINOR SERIES	JA	JA	JA	JA
HEATER KITS						
		Heater Kit - 3kW/208-240/1	RXBH-1724A03J-A	RXBH-1724A03J-A	RXBH-1724A03J-A	N/A
		Heater Kit - 5kW/208-240/1	RXBH-1724A05J-A RXBH-1724B05J-A RXBH-1724C05J-A	RXBH-1724A05J-A RXBH-1724B05J-A RXBH-1724C05J-A	RXBH-1724A05J-A RXBH-1724B05J-A RXBH-1724C05J-A	RXBH-1724A05J-A RXBH-1724B05J-A RXBH-1724C05J-A
		Heater Kit - 7kW/208-240/1	RXBH-1724A07J-A RXBH-1724B07J-A RXBH-1724C07J-A	RXBH-1724A07J-A RXBH-1724B07J-A RXBH-1724C07J-A	RXBH-1724A07J-A RXBH-1724B07J-A RXBH-1724C07J-A	RXBH-1724A07J-A RXBH-1724B07J-A RXBH-1724C07J-A
		Heater Kit - 10kW/208-240/1	N/A	RXBH-1724A10J-A RXBH-1724B10J-A RXBH-1724C10J-A	RXBH-1724A10J-A RXBH-1724B10J-A RXBH-1724C10J-A	RXBH-1724A10J-A RXBH-1724B10J-A RXBH-1724C10J-A
		Heater Kit - 15kW/208-240/1	N/A	N/A	N/A	RXBH-1724A15J-A



Exploded View



Blower Assembly

NOTES

Stk It is recommended that stock be maintained for this part.
N/A Not Applicable