



RH2V

Parts List
24-April-2020



*This parts list is current as of the above revision date.
See <http://www.rheempartslists.net/92-42801-RH2V.pdf> for the current revision.*

Air Handlers

Table of Contents

Model Explanation	Page 3
Parts Numbers	
Panels - Miscellaneous (1)	Page 4
Panels - Miscellaneous (2)	Page 5
Electrical Group (1)	Page 6
Electrical Group (2)	Page 7
Blower Group (1)	Page 8
Blower Group (2)	Page 9
Coil Parts	Page 10
Heater Kits	Page 11
Drawings/Photographs	
Exploded View	Page 12
Blower Assembly	Page 13
Notes	Page 14

MODEL NUMBER EXPLANATION

R	H	2	V	2	4	2	1	H	T	A	C	J	A	***
1	2	3	4	5		6		7	8	9	10	11	12	13

- | | |
|--|--|
| <p>(1) BRAND</p> <p>(2) AIR HANDLER</p> <p>(3) STAGE OF AIRFLOW
2 = Two Stage</p> <p>(4) MOTOR TYPE
V = Variable Speed</p> <p>(5) CAPACITY (BTU/HR)
18 = 18,000 BTU/HR
24 = 24,000 BTU/HR
30 = 30,000 BTU/HR
36 = 36,000 BTU/HR
42 = 42,000 BTU/HR
48 = 48,000 BTU/HR
60 = 60,000 BTU/HR</p> <p>(6) WIDTH
17 = 17.5 in. (600 - 1200 CFM)
21 = 21 in. (800 - 1600 CFM)
24 = 24.5 in. (1400 - 1800 CFM)</p> <p>(7) COIL SIZE
S = Standard
M = Medium
H = High</p> | <p>(8) METERING DEVICE
T = TEV
E = EEV
P = Piston</p> <p>(9) MAJOR SERIES
A = First</p> <p>(10) CONTROLS
C = Communicating
N = Non-Communicating</p> <p>(11) VOLTAGE
A = 115/1/60
D = 460/3/60
J = 208-230/1/60
T = 220-240/1/50</p> <p>(12) MINOR SERIES
A = First</p> <p>(13) OPTION CODE
Blank = None</p> |
|--|--|

SERIAL NUMBER EXPLANATION

W	0	7	0	9	9	9	9	9	9
1	2		3		4				

- 1** **PRODUCTION LOCATION**
W = Nuevo Laredo (West)
- 2** **WEEK OF PRODUCTION**
- 3** **YEAR OF PRODUCTION**
- 4** **PRODUCTION NUMBER**

No.	Notes	MODEL	RH2V	RH2V	RH2V	RH2V
		CAPACITY	24	36	48	60
		CABINET SIZE	21	21	21	24
		COIL SIZE/METERING	MT	MT	MT	ST
		MAJOR SERIES/CONTROLS	AN	AN	AN	AN
		VOLTAGE/MINOR SERIES	JA	JA	JA	JA
PANELS, SHEET METAL, MISCELLANEOUS						
1		Cabinet	N/A	N/A	N/A	N/A
		Insulation - Cabinet	68-101121-02	68-101121-03	68-101121-15	68-101121-04
		Insulation Retainer Rod (2)	45-102868-03	45-102868-03	45-102868-03	45-102868-04
2		Coil Door	AE-100685-33	AE-100685-34	AE-100685-37	AE-100685-36
		Insulation - Coil Door	68-101577-07	68-101577-08	68-101577-10	68-101577-09
3		Top Cover Plate	AE-100686-32	AE-100686-32	AE-100686-32	AE-100686-33
		Insulation - Top Cover Plate	68-101122-02	68-101122-02	68-101122-02	68-101122-03
4		Blower Door	AE-100684-32	AE-100684-32	AE-100684-32	AE-100684-33
		Insulation - Blower Door	68-101576-02	68-101576-02	68-101576-02	68-101576-03
5		Access Panel	AE-101133-31	AE-101133-31	AE-101133-31	AE-101133-31
		Insulation - Access Panel	68-101644-01	68-101644-01	68-101644-01	68-101644-01
		Poron Gasket (Blower & Coil Doors)	68-42246-03	68-42246-03	68-42246-03	68-42246-03
6		Drain Pan - Vertical	See RCH Coil Parts List			
7		Drain Pan - Horizontal	See RCH Coil Parts List			
8		Plate - Block Off	AE-100455-01	AE-100455-01	AE-100455-01	AE-100455-01
9		Cabinet Brace	AE-101134-03	AE-101134-03	AE-101134-03	AE-101134-04
10		Middle Brace	AE-101054-02	AE-101054-02	AE-101054-02	AE-101054-03
13a		Heat Barrier	AE-100683-05	AE-100683-06	AE-100683-06	AE-100683-08
13b		Heat Barrier Side (2)	AE-104241-01	AE-104241-01	AE-104241-01	AE-104241-01
		Insulation Retainer Rod (2)	45-102868-03	45-102868-03	45-102868-03	45-102868-04
		Duct Flanges (2)	AE-101048-07	AE-101048-07	AE-101048-07	AE-101048-07
		Touch-up Paint - Granite/Steel Gray (Aerosol)	PD523018	PD523018	PD523018	PD523018
		Touch-up Paint - Granite/Steel Gray (Paint Pens)	PD523019	PD523019	PD523019	PD523019

No.	Notes	MODEL	RH2V	RH2V	RH2V	RH2V
		CAPACITY	24	24	60	21
		CABINET SIZE	17	17	21	21
		COIL SIZE/METERING	ST	ST	ST	ST
		MAJOR SERIES/CONTROLS	AC	AN	AC	AC
		VOLTAGE/MINOR SERIES	JA	JA	JA	JA
PANELS, SHEET METAL, MISCELLANEOUS						
1		Cabinet	N/A	N/A	N/A	
		Insulation - Cabinet	68-101121-01	68-101121-01	68-101121-15	
		Insulation Retainer Rod (2)	45-102868-02	45-102868-02	45-102868-03	
2		Coil Door	AE-100685-32	AE-100685-32	AE-100685-37	
		Insulation - Coil Door	68-101577-06	68-101577-06	68-101577-10	
3		Top Cover Plate	AE-100686-31	AE-100686-31	AE-100686-32	
		Insulation - Top Cover Plate	68-101122-01	68-101122-01	68-101122-02	
4		Blower Door	AE-100684-31	AE-100684-31	AE-100684-32	
		Insulation - Blower Door	68-101576-01	68-101576-01	68-101576-02	
5		Access Panel	AE-101133-31	AE-101133-31	AE-101133-31	
		Insulation - Access Panel	68-101644-01	68-101644-01	68-101644-01	
		Poron Gasket (Blower & Coil Doors)	68-42246-03	68-42246-03	68-42246-03	
6		Drain Pan - Vertical	See RCH Coil Parts List			
7		Drain Pan - Horizontal	See RCH Coil Parts List			
8		Plate - Block Off	AE-100455-01	AE-100455-01	AE-100455-01	
9		Cabinet Brace	AE-101134-02	AE-101134-02	AE-101134-03	
10		Middle Brace	AE-101054-01	AE-101054-01	AE-101054-02	
13a		Heat Barrier	AE-100683-03	AE-100683-03	AE-100683-06	
13b		Heat Barrier Side (2)	AE-104241-01	AE-104241-01	AE-104241-01	
		Duct Flanges (2)	AE-101048-07	AE-101048-07	AE-101048-07	
		Touch-up Paint - Granite/Steel/Warm Dark Gray (Aerosol)	PD523018	PD523018	PD523018	
		Touch-up Paint - Granite/Steel/Warm Dark Gray (Paint Pens)	PD523019	PD523019	PD523019	

No.	Notes	MODEL	RH2V	RH2V	RH2V	RH2V
		CAPACITY	24	36	48	48
		CABINET SIZE	21	24	24	24
		COIL SIZE/METERING	HT	HT	HT	ST
		MAJOR SERIES/CONTROLS	AC	AC	AC	AC
		VOLTAGE/MINOR SERIES	JA	JA	JA	JA
PANELS, SHEET METAL, MISCELLANEOUS						
1		Cabinet	N/A	N/A	N/A	N/A
		Insulation - Cabinet	68-101121-02	68-101121-04	68-101121-04	68-101121-04
		Insulation Retainer Rod (2)	45-102868-03	45-102868-04	45-102868-04	45-102868-04
2		Coil Door	AE-100685-33	AE-100685-36	AE-100685-36	AE-100685-36
		Insulation - Coil Door	68-101577-07	68-101577-09	68-101577-09	68-101577-09
3		Top Cover Plate	AE-100686-32	AE-100686-33	AE-100686-33	AE-100686-33
		Insulation - Top Cover Plate	68-101122-02	68-101122-03	68-101122-03	68-101122-03
4		Blower Door	AE-100684-32	AE-100684-33	AE-100684-33	AE-100684-33
		Insulation - Blower Door	68-101576-02	68-101576-03	68-101576-03	68-101576-03
5		Access Panel	AE-101133-31	AE-101133-31	AE-101133-31	AE-101133-31
		Insulation - Access Panel	68-101644-01	68-101644-01	68-101644-01	68-101644-01
		Poron Gasket (Blower & Coil Doors)	68-42246-03	68-42246-03	68-42246-03	68-42246-03
6		Drain Pan - Vertical	See RCH Coil Parts List			
7		Drain Pan - Horizontal	See RCH Coil Parts List			
8		Plate - Block Off	AE-100455-01	AE-100455-01	AE-100455-01	AE-100455-01
9		Cabinet Brace	AE-101134-03	AE-101134-04	AE-101134-04	AE-101134-04
10		Middle Brace	AE-101054-02	AE-101054-03	AE-101054-03	AE-101054-03
13a		Heat Barrier	AE-100683-05	AE-100683-08	AE-100683-08	AE-100683-08
13b		Heat Barrier Side (2)	AE-104241-01	AE-104241-01	AE-104241-01	AE-104241-01
		Insulation Retainer Rod (2)	45-102868-03	45-102868-04	45-102868-04	45-102868-04
		Duct Flanges (2)	AE-101048-07	AE-101048-07	AE-101048-07	AE-101048-07
		Touch-up Paint - Granite/Steel Gray (Aerosol)	PD523018	PD523018	PD523018	PD523018
		Touch-up Paint - Granite/Steel Gray (Paint Pens)	PD523019	PD523019	PD523019	PD523019

No.	Notes	MODEL	RH2V	RH2V	RH2V	RH2V
		CAPACITY	24	36	48	60
		CABINET SIZE	21	21	21	24
		COIL SIZE/METERING	MT	MT	MT	ST
		MAJOR SERIES/CONTROLS	AC	AC	AC	AC
		VOLTAGE/MINOR SERIES	JA	JA	JA	JA
PANELS, SHEET METAL, MISCELLANEOUS						
1		Cabinet	N/A	N/A	N/A	N/A
		Insulation - Cabinet	68-101121-02	68-101121-03	68-101121-15	68-101121-04
		Insulation Retainer Rod (2)	45-102868-03	45-102868-03	45-102868-03	45-102868-04
2		Coil Door	AE-100685-33	AE-100685-34	AE-100685-37	AE-100685-36
		Insulation - Coil Door	68-101577-07	68-101577-08	68-101577-10	68-101577-09
3		Top Cover Plate	AE-100686-32	AE-100686-32	AE-100686-32	AE-100686-33
		Insulation - Top Cover Plate	68-101122-02	68-101122-02	68-101122-02	68-101122-03
4		Blower Door	AE-100684-32	AE-100684-32	AE-100684-32	AE-100684-33
		Insulation - Blower Door	68-101576-02	68-101576-02	68-101576-02	68-101576-03
5		Access Panel	AE-101133-31	AE-101133-31	AE-101133-31	AE-101133-31
		Insulation - Access Panel	68-101644-01	68-101644-01	68-101644-01	68-101644-01
		Poron Gasket (Blower & Coil Doors)	68-42246-03	68-42246-03	68-42246-03	68-42246-03
6		Drain Pan - Vertical	See RCH Coil Parts List			
7		Drain Pan - Horizontal	See RCH Coil Parts List			
8		Plate - Block Off	AE-100455-01	AE-100455-01	AE-100455-01	AE-100455-01
9		Cabinet Brace	AE-101134-03	AE-101134-03	AE-101134-03	AE-101134-04
10		Middle Brace	AE-101054-02	AE-101054-02	AE-101054-02	AE-101054-03
13a		Heat Barrier	AE-100683-05	AE-100683-06	AE-100683-06	AE-100683-08
13b		Heat Barrier Side (2)	AE-104241-01	AE-104241-01	AE-104241-01	AE-104241-01
		Insulation Retainer Rod (2)	45-102868-03	45-102868-03	45-102868-03	45-102868-04
		Duct Flanges (2)	AE-101048-07	AE-101048-07	AE-101048-07	AE-101048-07
		Touch-up Paint - Granite/Steel Gray (Aerosol)	PD523018	PD523018	PD523018	PD523018
		Touch-up Paint - Granite/Steel Gray (Paint Pens)	PD523019	PD523019	PD523019	PD523019

No.	Notes	MODEL	RH2V	RH2V	RH2V	RH2V
		CAPACITY	24	36	48	48
		CABINET SIZE	21	24	24	24
		COIL SIZE/METERING	HT	HT	HT	ST
		MAJOR SERIES/CONTROLS	AC	AC	AC	AC
		VOLTAGE/MINOR SERIES	JA	JA	JA	JA
ELECTRICAL GROUP						
17	Stk	Transformer	46-101944-03	46-101944-03	46-101944-03	46-101944-03
18	Stk	Control Board	47-102606-05	47-102606-05	47-102606-05	47-102606-05
		Memory Card (EEPROM)	47-102738-51	47-102738-52	47-102738-53	47-102738-44
		Wiring Harness - 11 Pin Molex to 11 stripped wires (For T-Stat)	45-101891-04	45-101891-04	45-101891-04	45-101891-04
		Wiring Harness - 9 Pin Molex to 9 stripped wires (For T-Stat)	N/A	N/A	N/A	N/A
		Wiring Harness - 5 pin to 1 Ring and 2 Straight Terminals	45-24258-16	45-24258-16	45-24258-16	45-24258-16
		Wiring Harness - 4 pin to 4 pin (Indoor Blower Motor)	45-24258-25	45-24258-25	45-24258-25	45-24258-25
11		Terminal Block	45-23222-02	45-23222-02	45-23222-02	45-23222-02

No.	Notes	MODEL	RH2V	RH2V	RH2V	RH2V
		CAPACITY	60	60	24	24
		CABINET SIZE	21	24	17	21
		COIL SIZE/METERING	ST	HT	ST	MT
		MAJOR SERIES/CONTROLS	AC	AC	AC	AC
		VOLTAGE/MINOR SERIES	JA	JA	JA	JA
ELECTRICAL GROUP						
17	Stk	Transformer	46-101905-01	46-101944-03	46-101905-01	46-101905-01
18	Stk	Control Board	47-105415-02	47-102606-05	47-105415-02	47-105415-02
		Memory Card (EEPROM)	47-102738-179	47-102738-54	47-102738-178	47-102738-146
		Wiring Harness - 11 Pin Molex to 11 stripped wires (For T-Stat)	N/A	45-101891-04	N/A	N/A
		Wiring Harness - 9 Pin Molex to 9 stripped wires (For T-Stat)	45-101891-02	N/A	45-101891-02	45-101891-02
		Wiring Harness - 5 pin to 1 Ring and 2 Straight Terminals	45-24258-16	45-24258-16	45-24258-16	45-24258-16
		Wiring Harness - 4 pin to 4 pin (Indoor Blower Motor)	45-24258-31	45-24258-25	45-24258-31	45-24258-31
11		Terminal Block	45-23222-02	45-23222-02	45-23222-02	45-23222-02

No.	Notes	MODEL	RH2V	RH2V	RH2V	
		CAPACITY	36	48	60	
		CABINET SIZE	21	21	24	
		COIL SIZE/METERING	MT	MT	ST	
		MAJOR SERIES/CONTROLS	AC	AC	AC	
		VOLTAGE/MINOR SERIES	JA	JA	JA	
ELECTRICAL GROUP						
17	Stk	Transformer	46-101905-01	46-101905-01	46-101905-01	
18	Stk	Control Board	47-105415-02	47-105415-02	47-105415-02	
		Memory Card (EEPROM)	47-102738-147	47-102738-148	47-102738-149	
		Wiring Harness - 9 Pin Molex to 9 stripped wires (For T-Stat)	45-101891-02	45-101891-02	45-101891-02	
		Wiring Harness - 5 pin to 1 Ring and 2 Straight Terminals	45-24258-16	45-24258-16	45-24258-16	
		Wiring Harness - 4 pin to 4 pin (Indoor Blower Motor)	45-24258-31	45-24258-31	45-24258-31	
11		Terminal Block	45-23222-02	45-23222-02	45-23222-02	

No.	Notes	MODEL	RH2V	RH2V	RH2V	RH2V
		CAPACITY	24	24	36	48
		CABINET SIZE	17	21	21	21
		COIL SIZE/METERING	ST	MT	MT	MT
		MAJOR SERIES/CONTROLS	AN	AN	AN	AN
		VOLTAGE/MINOR SERIES	JA	JA	JA	JA
ELECTRICAL GROUP						
17	Stk	Transformer	46-101905-01	46-101905-01	46-101905-01	46-101905-01
18	Stk	Control Board	47-100436-07	47-102077-03	47-102077-03	47-102077-03
		Wiring Harness - 6 Pin Molex to 6 stripped wires (For T-Stat)	45-101891-02	45-101891-02	45-101891-02	45-101891-02
		Wiring Harness - 1 strip lead and 1 connector to single connector (Control Transformer to Blower Motor to Terminal Block - Black Wires)	45-24258-16	45-24258-16	45-24258-16	45-24258-16
		Wiring Harness - 1 strip lead and 1 connector to single connector (Control Transformer to Blower Motor and Terminal Block)	45-24258-14	45-24258-14	45-24258-14	45-24258-14
11		Terminal Block	45-23222-02	45-23222-02	45-23222-02	45-23222-02

No.	Notes	MODEL	RH2V			
		CAPACITY	60			
		CABINET SIZE	24			
		COIL SIZE/METERING	ST			
		MAJOR SERIES/CONTROLS	AN			
		VOLTAGE/MINOR SERIES	JA			
ELECTRICAL GROUP						
17	Stk	Transformer	46-101905-01			
18	Stk	Control Board	47-102077-03			
		Wiring Harness - 6 Pin Molex to 6 stripped wires (For T-Stat)	45-101891-02			
		Wiring Harness - 1 strip lead and 1 connector to single connector (Control Transformer to Blower Motor to Terminal Block - Black Wires)	45-24258-16			
		Wiring Harness - 1 strip lead and 1 connector to single connector (Control Transformer to Blower Motor and Terminal Block)	45-24258-14			
11		Terminal Block	45-23222-02			

No.	Notes	MODEL	RH2V	RH2V	RH2V	RH2V
		CAPACITY	24	36	48	48
		CABINET SIZE	21	24	24	24
		COIL SIZE/METERING	HT	HT	HT	ST
		MAJOR SERIES/CONTROLS	AC	AC	AC	AC
		VOLTAGE/MINOR SERIES	JA	JA	JA	JA
BLOWER GROUP						
15	Stk	Blower Assembly (Includes items 16-22)	AS-101885-11	AS-101885-13	AS-101885-13	AS-101885-13
16		Mounting Bracket - Control Board	AE-101049-01	AE-101049-01	AE-101049-01	AE-101049-01
17		Transformer	See Electrical Group			
18		Control Board	See Electrical Group			
		Control Identity EEPROM	See Electrical Group			
19		Blower Housing w/Wheel	70-101729-02	70-101729-04	70-101729-04	70-101729-04
	Stk	Blower Wheel	703014	703015	703015	703015
20		Motor Mount - Band	70-19927-04	70-19927-04	70-19927-04	70-19927-04
21		Motor Mount - Arm (4)	70-19929-10	70-19929-10	70-19929-10	70-19929-10
22	Stk	Blower Motor	51-102601-01	51-104390-01	51-104390-01	51-104390-01
23		Mounting Bracket Cover	AE-101797-01	AE-101797-01	AE-101797-01	AE-101797-01

No.	Notes	MODEL	RH2V	RH2V	RH2V	RH2V
		CAPACITY	60	60	24	24
		CABINET SIZE	21	24	17	21
		COIL SIZE/METERING	ST	HT	ST	MT
		MAJOR SERIES/CONTROLS	AC	AC	AC	AC
		VOLTAGE/MINOR SERIES	JA	JA	JA	JA
BLOWER GROUP						
15	Stk	Blower Assembly (Includes items 16-22)	AS-101885-26	AS-101885-13	AS-101885-37	AS-101885-25
16		Mounting Bracket - Control Board	AE-101049-01	AE-101049-01	AE-101049-01	AE-101049-01
17		Transformer	See Electrical Group			
18		Control Board	See Electrical Group			
		Control Identity EEPROM	See Electrical Group			
19		Blower Housing w/Wheel	70-101729-08	70-101729-04	70-101729-02	70-101729-02
	Stk	Blower Wheel	703023	703015	703014	703014
20		Motor Mount - Band	70-19927-04	70-19927-04	70-19927-04	70-19927-04
21		Motor Mount - Arm (4)	70-19929-10	70-19929-10	70-19929-10	70-19929-10
22	Stk	Blower Motor	51-102603-01	51-104390-01	51-102601-01	51-104388-01
23		Mounting Bracket Cover	AE-101797-01	AE-101797-01	AE-101797-01	AE-101797-01

No.	Notes	MODEL	RH2V	RH2V	RH2V	
		CAPACITY	36	48	60	
		CABINET SIZE	21	21	24	
		COIL SIZE/METERING	MT	MT	ST	
		MAJOR SERIES/CONTROLS	AC	AC	AC	
		VOLTAGE/MINOR SERIES	JA	JA	JA	
BLOWER GROUP						
15	Stk	Blower Assembly (Includes items 16-22)	AS-101885-34	AS-101885-26	AS-101885-27	
16		Mounting Bracket - Control Board	AE-101049-01	AE-101049-01	AE-101049-01	
17		Transformer	See Electrical Group			
18		Control Board	See Electrical Group			
		Control Identity EEPROM	See Electrical Group			
19		Blower Housing w/Wheel	70-101729-08	70-101729-08	70-101729-04	
	Stk	Blower Wheel	703023	703023	703015	
20		Motor Mount - Band	70-19927-04	70-19927-04	70-19927-04	
21		Motor Mount - Arm (4)	70-19929-10	70-19929-10	70-19929-10	
22	Stk	Blower Motor	51-102602-01	51-102603-01	51-104390-01	
23		Mounting Bracket Cover	AE-101797-01	AE-101797-01	AE-101797-01	

No.	Notes	MODEL	RH2V	RH2V	RH2V	RH2V
		CAPACITY	24	24	36	48
		CABINET SIZE	17	21	21	21
		COIL SIZE/METERING	ST	MT	MT	MT
		MAJOR SERIES/CONTROLS	AN	AN	AN	AN
		VOLTAGE/MINOR SERIES	JA	JA	JA	JA
BLOWER GROUP						
15	Stk	Blower Assembly (Includes items 16-22)	AS-101885-38	AS-101885-30	AS-101885-31	AS-101885-32
16		Mounting Bracket - Control Board	AE-101049-01	AE-101049-01	AE-101049-01	AE-101049-01
17		Transformer	See Electrical Group			
18		Control Board	See Electrical Group			
19		Blower Housing w/Wheel	70-101729-02	70-101729-02	70-101729-08	70-101729-08
	Stk	Blower Wheel	703014	703014	703023	703023
20		Motor Mount - Band	70-19927-04	70-19927-04	70-19927-04	70-19927-04
21		Motor Mount - Arm (4)	70-19929-10	70-19929-10	70-19929-10	70-19929-10
22	Stk	Blower Motor	51-104303-12	51-104303-11	51-104304-24	51-104305-33
23		Mounting Bracket Cover	AE-101797-01	AE-101797-01	AE-101797-01	AE-101797-01

No.	Notes	MODEL	RH2V			
		CAPACITY	60			
		CABINET SIZE	24			
		COIL SIZE/METERING	ST			
		MAJOR SERIES/CONTROLS	AN			
		VOLTAGE/MINOR SERIES	JA			
BLOWER GROUP						
15	Stk	Blower Assembly (Includes items 16-22)	AS-101885-33			
16		Mounting Bracket - Control Board	AE-101049-01			
17		Transformer	See Electrical Group			
18		Control Board	See Electrical Group			
19		Blower Housing w/Wheel	70-101729-04			
	Stk	Blower Wheel	703015			
20		Motor Mount - Band	70-19927-04			
21		Motor Mount - Arm (4)	70-19929-10			
22	Stk	Blower Motor	51-104305-34			
23		Mounting Bracket Cover	AE-101797-01			

No.	Notes	MODEL	RH2V	RH2V	RH2V	RH2V
		CAPACITY	24	24	36	48
		CABINET SIZE	17	21	24	24
		COIL SIZE/METERING	ST	HT	HT	HT
COIL GROUP						
12		Replacement Coil w/TXV	RCH-2417STAMUA	RCH-2421HTAVUA	RCH-3624HTAVUA	RCH-4824HTAVUA
		Horizontal Adapter Kit	See specified RCH Coil Parts List			
		Drain Pan - Vertical	See specified RCH Coil Parts List			
		TXV	See specified RCH Coil Parts List			

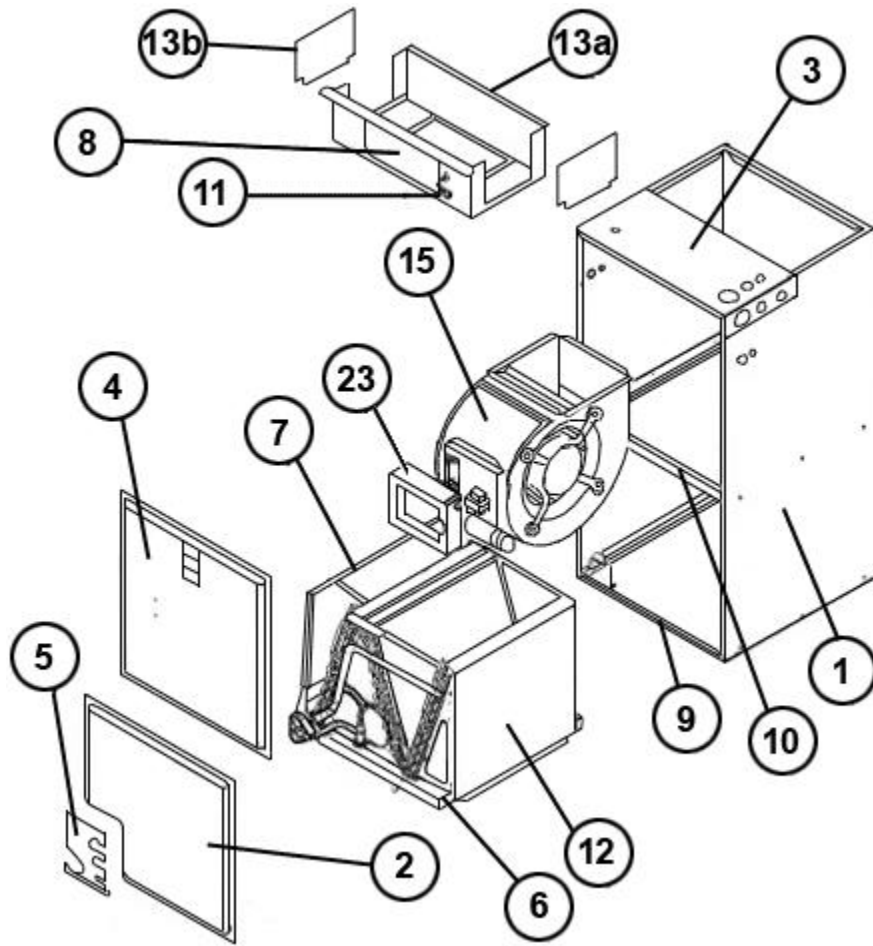
No.	Notes	MODEL	RH2V	RH2V	RH2V	RH2V
		CAPACITY	48	60	24	36
		CABINET SIZE	24	24	21	21
		COIL SIZE/METERING	ST	HT	MT	MT
COIL GROUP						
12		Replacement Coil w/TXV	RCH-4824STAVUA	RCH-6024HTAVUA	RCH-2421HTAVUA	RCH-3621MTAVUA
		Horizontal Adapter Kit	See specified RCH Coil Parts List			
		Drain Pan - Vertical	See specified RCH Coil Parts List			
		TXV	See specified RCH Coil Parts List			

No.	Notes	MODEL	RH2V	RH2V	RH2V	
		CAPACITY	48	60	60	
		CABINET SIZE	21	21	24	
		COIL SIZE/METERING	MT	ST	ST	
COIL GROUP						
12		Replacement Coil w/TXV	RCH-4821MTAVUA	RCH-4821MTAVUA	RCH-6024STAVUA	
		Horizontal Adapter Kit	See specified RCH Coil Parts List			
		Drain Pan - Vertical	See specified RCH Coil Parts List			
		TXV	See specified RCH Coil Parts List			

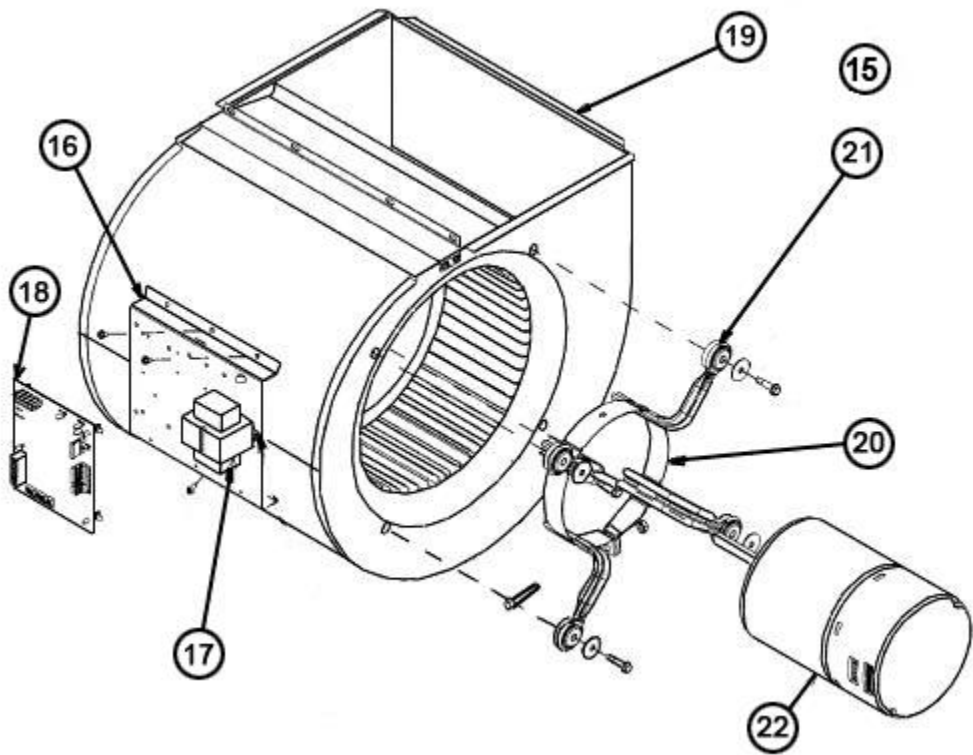
No.	Notes	MODEL CAPACITY CABINET SIZE COIL SIZE/METERING	RH2V	RH2V	RH2V	RH2V
			24 17 ST	24 21 HT	36 24 HT	48 24 HT
HEATER KITS						
		Heater Kit - 3kW/208-240/1	RXBH-1724A03J RXBH-1724B03J RXBH-1724C03J	N/A	N/A	N/A
		Heater Kit - 5kW/208-240/1	RXBH-1724A05J RXBH-1724B05J RXBH-1724C05J	RXBH-1724A05J RXBH-1724B05J RXBH-1724C05J	RXBH-1724A05J RXBH-1724B05J RXBH-1724C05J	RXBH-1724A05J RXBH-1724B05J RXBH-1724C05J
		Heater Kit - 7kW/208-240/1	RXBH-1724A07J RXBH-1724B07J RXBH-1724C07J	RXBH-1724A07J RXBH-1724B07J RXBH-1724C07J	RXBH-1724A07J RXBH-1724B07J RXBH-1724C07J	RXBH-1724A07J RXBH-1724B07J RXBH-1724C07J
		Heater Kit - 7kW/208-240/3	RXBH-1724A07C			
		Heater Kit - 10kW/208-240/1	RXBH-1724A10J RXBH-1724B10J RXBH-1724C10J	RXBH-1724A10J RXBH-1724B10J RXBH-1724C10J	RXBH-1724A10J RXBH-1724B10J RXBH-1724C10J	RXBH-1724A10J RXBH-1724B10J RXBH-1724C10J
		Heater Kit - 10kW/208-240/3	RXBH-1724A10C	N/A	N/A	N/A
		Heater Kit - 13kW/208-240/3	RXBH-1724A13C	N/A	N/A	N/A
		Heater Kit - 15kW/208-240/1		N/A	RXBH-1724A15J	RXBH-1724A15J
		Heater Kit - 18kW/208-240/1		N/A	RXBH-1724A18J	RXBH-1724A18J
		Heater Kit - 20kW/208-240/1		N/A	N/A	RXBH-24A20J
		Heater Kit - 25kW/208-240/1		N/A	N/A	RXBH-24A25J
		Heater Kit - 30kW/208-240/1		N/A	N/A	N/A

No.	Notes	MODEL CAPACITY CABINET SIZE COIL SIZE/METERING	RH2V	RH2V	RH2V	RH2V
			48 24 ST	60 24 HT	24 21 MT	36 21 MT
HEATER KITS						
		Heater Kit - 3kW/208-240/1	N/A	N/A	N/A	N/A
		Heater Kit - 5kW/208-240/1	RXBH-1724A05J RXBH-1724B05J RXBH-1724C05J	RXBH-1724A05J RXBH-1724B05J RXBH-1724C05J	RXBH-1724A05J RXBH-1724B05J RXBH-1724C05J	RXBH-1724A05J RXBH-1724B05J RXBH-1724C05J
		Heater Kit - 7kW/208-240/1	RXBH-1724A07J RXBH-1724B07J RXBH-1724C07J	RXBH-1724A07J RXBH-1724B07J RXBH-1724C07J	RXBH-1724A07J RXBH-1724B07J RXBH-1724C07J	RXBH-1724A07J RXBH-1724B07J RXBH-1724C07J
		Heater Kit - 7kW/208-240/3	N/A	N/A	N/A	N/A
		Heater Kit - 10kW/208-240/1	RXBH-1724A10J RXBH-1724B10J RXBH-1724C10J	RXBH-1724A10J RXBH-1724B10J RXBH-1724C10J	RXBH-1724A10J RXBH-1724B10J RXBH-1724C10J	RXBH-1724A10J RXBH-1724B10J RXBH-1724C10J
		Heater Kit - 10kW/208-240/3	N/A	N/A	N/A	N/A
		Heater Kit - 13kW/208-240/3	N/A	N/A	N/A	N/A
		Heater Kit - 15kW/208-240/1	RXBH-1724A15J	RXBH-1724A15J	N/A	RXBH-1724A15J
		Heater Kit - 18kW/208-240/1	RXBH-1724A18J	RXBH-1724A18J	N/A	RXBH-1724A18J
		Heater Kit - 20kW/208-240/1	RXBH-24A20J	RXBH-24A20J	N/A	N/A
		Heater Kit - 25kW/208-240/1	RXBH-24A25J	RXBH-24A25J	N/A	N/A
		Heater Kit - 30kW/208-240/1	N/A	RXBH-24A30J	N/A	N/A

No.	Notes	MODEL CAPACITY CABINET SIZE COIL SIZE/METERING	RH2V	RH2V	RH2V	
			48 21 MT	60 21 ST	60 24 ST	
HEATER KITS						
		Heater Kit - 5kW/208-240/1	RXBH-1724A05J RXBH-1724B05J RXBH-1724C05J	RXBH-1724A05J RXBH-1724B05J RXBH-1724C05J	RXBH-1724A05J RXBH-1724B05J RXBH-1724C05J	
		Heater Kit - 7kW/208-240/1	RXBH-1724A07J RXBH-1724B07J RXBH-1724C07J	RXBH-1724A07J RXBH-1724B07J RXBH-1724C07J	RXBH-1724A07J RXBH-1724B07J RXBH-1724C07J	
		Heater Kit - 10kW/208-240/1	RXBH-1724A10J RXBH-1724B10J RXBH-1724C10J	RXBH-1724A10J RXBH-1724B10J RXBH-1724C10J	RXBH-1724A10J RXBH-1724B10J RXBH-1724C10J	
		Heater Kit - 15kW/208-240/1	RXBH-1724A15J	RXBH-1724A15J	RXBH-1724A15J	
		Heater Kit - 18kW/208-240/1	RXBH-1724A18J	RXBH-1724A18J	RXBH-1724A18J	
		Heater Kit - 20kW/208-240/1	RXBH-24A20J	RXBH-24A20J	RXBH-24A20J	
		Heater Kit - 25kW/208-240/1	RXBH-24A25J	RXBH-24A25J	RXBH-24A25J	
		Heater Kit - 30kW/208-240/1	N/A	N/A	RXBH-24A30J	



Exploded View



Blower Assembly

NOTES

Stk It is recommended that stock be maintained for this part.
N/A Not Applicable