



# RA16

Parts List  
04-March-2021



*This parts list is current as of the above revision date.  
See <http://www.rheempartslists.net/92-42801-RA16.pdf> for the current revision.*

Condensing Units

# Table of Contents

Model Explanation .....	Page 3
<b>Parts Numbers</b>	
Panels - Miscellaneous (1) .....	Page 4
Panels - Miscellaneous (2) .....	Page 5
Electrical-Fan Group (1) .....	Page 6
Electrical-Fan Group (2) .....	Page 7
Coil Parts .....	Page 8
Compressor Group .....	Page 9
Accessories .....	Page 10
<b>Drawings/Photographs</b>	
Exploded View .....	Page 11
Control Box (1) .....	Page 12
Control Box (2) .....	Page 12
Valve Mounting, Compressor .....	Page 13
Notes .....	Page 14

**MODEL NUMBER EXPLANATION**

<b>R</b>	<b>A</b>	<b>1</b>	<b>6</b>	<b>1</b>	<b>8</b>	<b>A</b>	<b>J</b>	<b>1</b>	<b>N</b>	<b>A</b>
<b>1</b>	<b>2</b>	<b>3</b>		<b>4</b>		<b>5</b>	<b>6</b>	<b>7</b>	<b>8</b>	<b>9</b>

- |   |  |
|---|--|
| <p>(1) <b>Brand</b></p> <p>(2) <b>Product Category</b><br/>A = Air Conditioner</p> <p>(3) <b>Seer</b><br/>16 = 16 SEER</p> <p>(4) <b>COOLING CAPACITY (BTU/HR)</b><br/>018 = 18,000<br/>024 = 24,000<br/>030 = 30,000<br/>036 = 36,000<br/>042 = 42,000<br/>048 = 48,000<br/>060 = 60,000</p> | <p>(5) <b>MAJOR SERIES</b><br/>A = First Design Series<br/>B = Second Major Design Series</p> <p>(6) <b>VOLTAGE</b><br/>J = 208-230/1/60<br/>C = 208-230/3/60<br/>D = 460/3/60<br/>Y = 575/3/60</p> <p>(7) <b>TYPE</b><br/>1 = Single Stage</p> <p>(8) <b>CONTROLS</b><br/>N = Non-Communicating</p> <p>(9) <b>MINOR SERIES</b><br/>A = First Design Series<br/>B = Second Design Series (LPC/HPC)</p> |
|---|--|

**SERIAL NUMBER EXPLANATION**

<b>W</b>	<b>0</b>	<b>8</b>	<b>1</b>	<b>3</b>	<b>9</b>	<b>9</b>	<b>9</b>	<b>9</b>
(1)	(2)		(3)		(4)			

- (1) **PLANT CODE**  
W = West Nuevo Laredo
- (2) **WEEK OF PRODUCTION**
- (3) **YEAR OF PRODUCTION**
- (4) **PRODUCTION NUMBER**

**Note: For Compressor Identification Number, see Compressor Code on Rating Plate**

No.	Notes	MODEL COOLING CAPACITY VARIATION	RA16 18 AJ1NA/B	RA16 24 AJ1NA/B	RA16 30 AJ1NA/B	RA16 36 AC1NB	RA16 36 AJ1NA/B	RA16 42 AC1NB	
<b>SHEET METAL PARTS, MISCELLANEOUS</b>									
1		Front Panel	AE-104456-01	AE-104456-03	AE-104456-05	AE-104456-35	AE-104456-35	AE-104456-43	
2		Left Panel (Badge Panel)	AE-104456-12	AE-104456-21	AE-104456-34	AE-104456-37	AE-104456-37	AE-104456-56	
3		Back Panel	AE-104456-02	AE-104456-04	AE-104456-63	AE-104456-36	AE-104456-36	AE-104456-44	
4		Right Panel	AE-104456-01	AE-104456-03	AE-104456-05	AE-104456-35	AE-104456-35	AE-104456-43	
5		Base Pan	68-104457-01	68-104457-02	68-104457-03	68-104457-03	68-104457-03	68-104457-03	
6		Control Box - Before W1017	AE-104461-01	AE-104461-01	AE-104461-01	AE-104461-01	AE-104461-01	AE-104461-01	
6		Control Box - On or After W1017	AE-104461-05	AE-104461-05	AE-104461-05	AE-104461-05	AE-104461-05	AE-104461-05	
7		Control Box Cover	AS-104462-01H	AS-104462-01H	AS-104462-01H	AS-104462-01H	AS-104462-01H	AS-104462-01H	
8		Control Box Bracket	AS-104460-02H	AS-104460-02H	AS-104460-02H	AS-104460-03H	AS-104460-03H	AS-104460-05H	
9		Service Door	AS-104525-01H	AS-104525-01H	AS-104525-01H	AS-104525-01H	AS-104525-01H	AS-104525-01H	
10		Center Post (2)	AS-104459-03H	AS-104459-03H	AS-104459-03H	AS-104459-05H	AS-104459-05H	AS-104459-09H	
12		Corner Post - Louvered (3)	AS-104469-02H (3)	AS-104469-02H (3)	AS-104469-02H (3)	AS-104469-03H (3)	AS-104469-03H (3)	AS-104469-05H (3)	
13		Top Panel	AS-104458-01H	AS-104458-02H	AS-104458-03H	AS-104458-03H	AS-104458-03H	AS-104458-03H	
14		Venturi	68-104464-02	68-104464-04	68-104464-07	68-104464-07	68-104464-07	68-104464-07	
15		Grille	95-104620-01	95-104620-02	95-104620-03	95-104620-03	95-104620-03	95-104620-03	
		Center Cap - Blank (for Grille)	91-101123-00	91-101123-00	91-101123-00	91-101123-00	91-101123-00	91-101123-00	
		Service Valve - Suction	See Coil Group						
		Service Valve - Liquid	See Coil Group						
		Touch-up Paint - Granite/Steel Gray (Aerosol)	PD523018	PD523018	PD523018	PD523018	PD523018	PD523018	
		Touch-up Paint - Granite/Steel Gray (Paint Pens)	PD523019	PD523019	PD523019	PD523019	PD523019	PD523019	

No.	Notes	MODEL COOLING CAPACITY VARIATION	RA16 36 BJ1NA/B	RA16 36 BC1NB					
<b>SHEET METAL PARTS, MISCELLANEOUS</b>									
1		Front Panel	AE-104456-22	AE-104456-22					
2		Left Panel (Badge Panel)	AE-104456-24	AE-104456-24					
3		Back Panel	AE-104456-23	AE-104456-23					
4		Right Panel	AE-104456-22	AE-104456-22					
5		Base Pan	68-104457-02	68-104457-02					
6		Control Box - Before W1017	AE-104461-01	AE-104461-01					
6		Control Box - On or After W1017	AE-104461-05	AE-104461-05					
7		Control Box Cover	AS-104462-01H	AS-104462-01H					
8		Control Box Bracket	AS-104460-03H	AS-104460-03H					
9		Service Door	AS-104525-01H	AS-104525-01H					
10		Center Post (2)	AS-104459-05H	AS-104459-05H					
12		Corner Post - Louvered (3)	AS-104469-03H (3)	AS-104469-03H (3)					
13		Top Panel	AS-104458-02H	AS-104458-02H					
14		Venturi	68-104464-04	68-104464-04					
15		Grille	95-104620-02	95-104620-02					
		Center Cap - Blank (for Grille)	91-101123-00	91-101123-00					
		Service Valve - Suction	See Coil Group						
		Service Valve - Liquid	See Coil Group						
		Touch-up Paint - Granite/Steel Gray (Aerosol)	PD523018	PD523018					
		Touch-up Paint - Granite/Steel Gray (Paint Pens)	PD523019	PD523019					

No.	Notes	MODEL COOLING CAPACITY VARIATION	RA16 42 AJ1NA/B	RA16 48 AC1NB	RA16 48 AJ1NA/B	RA16 60 AC1NB	RA16 60 AJ1NA/B		
<b>SHEET METAL PARTS, MISCELLANEOUS</b>									
1		Front Panel	AE-104456-43	AE-104456-46	AE-104456-46	AE-104456-49	AE-104456-49		
2		Left Panel (Badge Panel)	AE-104456-56	AE-104456-57	AE-104456-57	AE-104456-58	AE-104456-58		
3		Back Panel	AE-104456-44	AE-104456-47	AE-104456-47	AE-104456-50	AE-104456-50		
4		Right Panel	AE-104456-43	AE-104456-46	AE-104456-46	AE-104456-49	AE-104456-49		
5		Base Pan	68-104457-03	68-104457-03	68-104457-03	68-104457-03	68-104457-03		
6		Control Box - Before W1017	AE-104461-01	AE-104461-01	AE-104461-01	AE-104461-01	AE-104461-01		
6		Control Box - On or After W1017	AE-104461-05	AE-104461-05	AE-104461-05	AE-104461-05	AE-104461-05		
7		Control Box Cover	AS-104462-01H	AS-104462-01H	AS-104462-01H	AS-104462-01H	AS-104462-01H		
8		Control Box Bracket	AS-104460-05H	AS-104460-06H	AS-104460-06H	AS-104460-11H	AS-104460-11H		
9		Service Door	AS-104525-01H	AS-104525-01H	AS-104525-01H	AS-104525-01H	AS-104525-01H		
10		Center Post (2)	AS-104459-09H	AS-104459-11H	AS-104459-11H	AS-104459-13H	AS-104459-13H		
12		Corner Post - Louvered (3)	AS-104469-05H (3)	AS-104469-06H (3)	AS-104469-06H (3)	AS-104469-07H (3)	AS-104469-07H (3)		
13		Top Panel	AS-104458-03H	AS-104458-03H	AS-104458-03H	AS-104458-03H	AS-104458-03H		
14		Venturi	68-104464-07	68-104464-07	68-104464-07	68-104464-07	68-104464-07		
15		Grille	95-104620-03	95-104620-03	95-104620-03	95-104620-03	95-104620-03		
		Center Cap - Blank (for Grille)	91-101123-00	91-101123-00	91-101123-00	91-101123-00	91-101123-00		
		Service Valve - Suction	See Coil Group						
		Service Valve - Liquid	See Coil Group						
		Touch-up Paint - Granite/Steel Gray (Aerosol)	PD523018	PD523018	PD523018	PD523018	PD523018		
		Touch-up Paint - Granite/Steel Gray (Paint Pens)	PD523019	PD523019	PD523019	PD523019	PD523019		

No.	Notes	MODEL COOLING CAPACITY VARIATION	RA16 18 AJ1NA/B	RA16 24 AJ1NA/B	RA16 30 AJ1NA/B	RA16 36 AC1NB	RA16 36 AJ1NA/B	RA16 42 AC1NB
<b>ELECTRICAL/FAN GROUP</b>								
20	Stk	Fan Motor - Before W1017	51-102008-18	51-101774-02	51-102870-01	51-102728-21	51-102728-21	51-102728-20
20	Stk	Fan Motor - On or After W1017	51-102008-18	51-101774-52	51-102870-08	51-102728-21	51-102728-21	51-102728-20
21	Stk	Fan Blade	70-101323-36	70-102011-09	70-101323-39	70-101323-40	70-101323-40	70-101323-28
22	Stk	Contactora	42-102664-05	42-102664-05	42-102664-05	42-102664-14	42-102664-05	42-102664-14
23		Capacitor	See Compressor Group					
23a		Capacitor Strap	AE-104562-01	AE-104562-01	AE-104562-01	N/A	AE-104562-01	N/A
25		Crankcase Heater	See Compressor Group					
26		Grounding Lug	45-19000-01	45-19000-01	45-19000-01	45-19000-01	45-19000-01	45-19000-01
		Low Ambient Control	See Accessories Group					
27	Stk	Low Pressure Control (Design Series 'B')	47-103670-08	47-103670-08	47-103670-08	47-103670-08	47-103670-08	47-103670-08
27a		Valve Body - Low Pressure Control	61-18542-01	61-18542-01	61-18542-01	61-18542-01	61-18542-01	61-18542-01
28	Stk	High Pressure Control (Design Series 'B')	47-102290-01	47-102290-01	47-102290-01	47-102290-01	47-102290-01	47-102290-01

No.	Notes	MODEL COOLING CAPACITY VARIATION	RA16 36 BJ1NA/B	RA16 36 BC1NB				
<b>ELECTRICAL/FAN GROUP</b>								
20	Stk	Fan Motor - Before W1017	51-102008-20	51-102008-20				
20	Stk	Fan Motor - On or After W1017	51-101774-52	51-101774-52				
21	Stk	Fan Blade	70-102011-12	70-102011-12				
22	Stk	Contactora	42-102664-05	42-102664-14				
23		Capacitor	See Compressor Group					
23a		Capacitor Strap	AE-104562-01	AE-104562-01				
25		Crankcase Heater	See Compressor Group					
26		Grounding Lug	45-19000-01	45-19000-01				
		Low Ambient Control	See Accessories Group					
27	Stk	Low Pressure Control (Design Series 'B')	47-103670-08	47-103670-08				
27a		Valve Body - Low Pressure Control	61-18542-01	61-18542-01				
28	Stk	High Pressure Control (Design Series 'B')	47-102290-01	47-102290-01				

No.	Notes	MODEL COOLING CAPACITY VARIATION	RA16 42 AJ1NA/B	RA16 48 AC1NB	RA16 48 AJ1NA/B	RA16 60 AC1NB	RA16 60 AJ1NA/B		
<b>ELECTRICAL/FAN GROUP</b>									
20	Stk	Fan Motor	51-102728-20	51-102728-20	51-102728-20	51-102728-19	51-102728-19		
21	Stk	Fan Blade	70-101323-28	70-101323-29	70-101323-29	70-101323-29	70-101323-29		
22	Stk	Contactora	42-102664-05	42-102664-14	42-102664-10	42-102664-14	42-102664-10		
23		Capacitor	See Compressor Group						
23a		Capacitor Strap	AE-104562-01	AE-104562-01	AE-104562-01	AE-104562-01	AE-104562-01		
25		Crankcase Heater	See Compressor Group						
26		Grounding Lug	45-19000-01	45-19000-01	45-19000-01	45-19000-01	45-19000-01		
		Low Ambient Control	See Accessories Group						
27	Stk	Low Pressure Control (Design Series 'B')	47-103670-08	47-103670-08	47-103670-08	47-103670-08	47-103670-08		
27a		Valve Body - Low Pressure Control	61-18542-01	61-18542-01	61-18542-01	61-18542-01	61-18542-01		
28	Stk	High Pressure Control (Design Series 'B')	47-102290-01	47-102290-01	47-102290-01	47-102290-01	47-102290-01		

No.	Notes	MODEL COOLING CAPACITY VARIATION	RA16 18 AJ1NA/B	RA16 24 AJ1NA/B	RA16 30 AJ1NA/B	RA16 36 AC1NB	RA16 36 AJ1NA/B	RA16 42 AC1NB	
<b>COIL GROUP</b>									
30	Stk	Condenser Coil	AS-105339-03	AS-105364-03	AS-104917-03	AS-105365-03	AS-105365-03	AS-105370-03	
31		Service Valve - Suction	61-104914-03	61-104914-03	61-104914-03	61-104914-03	61-104914-03	61-104914-04	
32		Service Valve - Liquid	61-104914-01	61-104914-01	61-104914-01	61-104914-01	61-104914-01	61-104914-01	
33a		Valve Core	61-18551-01	61-18551-01	61-18551-01	61-18551-01	61-18551-01	61-18551-01	
33b		Valve Cap	83-100635-01	83-100635-01	83-100635-01	83-100635-01	83-100635-01	83-100635-01	
27	Stk	Low Pressure Control	See Electrical Group						
28	Stk	High Pressure Control	See Electrical Group						
	Stk	Filter Drier	83-22755-12	83-22755-12	83-22755-12	83-22755-12	83-22755-12	83-22755-12	

No.	Notes	MODEL COOLING CAPACITY VARIATION	RA16 36 BJ1NA/B	RA16 36 BC1NB					
<b>COIL GROUP</b>									
30	Stk	Condenser Coil	AS-105512-03	AS-105512-03					
31		Service Valve - Suction	61-104914-03	61-104914-03					
32		Service Valve - Liquid	61-104914-01	61-104914-01					
33a		Valve Core	61-18551-01	61-18551-01					
33b		Valve Cap	83-100635-01	83-100635-01					
27	Stk	Low Pressure Control	See Electrical Group						
28	Stk	High Pressure Control	See Electrical Group						
	Stk	Filter Drier	83-22755-12	83-22755-12					

No.	Notes	MODEL COOLING CAPACITY VARIATION	RA16 42 AJ1NA/B	RA16 48 AC1NB	RA16 48 AJ1NA/B	RA16 60 AC1NB	RA16 60 AJ1NA/B		
<b>COIL GROUP</b>									
30	Stk	Condenser Coil	AS-105370-03	AS-105371-03	AS-105371-03	AS-105373-03	AS-105373-03		
31		Service Valve - Suction	61-104914-04	61-104914-04	61-104914-04	61-104914-04	61-104914-04		
32		Service Valve - Liquid	61-104914-01	61-104914-01	61-104914-01	61-104914-01	61-104914-01		
33a		Valve Core	61-18551-01	61-18551-01	61-18551-01	61-18551-01	61-18551-01		
33b		Valve Cap	83-100635-01	83-100635-01	83-100635-01	83-100635-01	83-100635-01		
27	Stk	Low Pressure Control	See Electrical Group						
28	Stk	High Pressure Control	See Electrical Group						
	Stk	Filter Drier	83-22755-12	83-22755-12	83-22755-12	83-22755-12	83-22755-12		



No.	Notes	MODEL COOLING CAPACITY VARIATION	RA16 18 AJ1NA/B	RA16 24 AJ1NA/B	RA16 30 AJ1NA/B	RA16 36 AC1NB	RA16 36 AJ1NA/B	RA16 42 AC1NB
<b>COMPRESSOR GROUP</b>								
		<b>Compressor ID:</b>	<b>9059</b>	<b>9060</b>	<b>9061</b>	<b>9066</b>	<b>9062</b>	<b>9067</b>
40	Stk	Compressor	55-102045-122S	55-102045-104S	55-102045-143S	55-102045-138S	55-102045-103S	55-102045-145S
		Compressor Grommet (4)	56-18518-04	56-18518-04	56-18518-04	56-18518-04	56-18518-04	56-18518-06
		Compressor Bolt (4)	63-20072-07	63-20072-07	63-20072-07	63-20072-07	63-20072-07	63-20072-07
23	Stk	Capacitor - Compressor/Fan	43-101665-60	43-101665-10	N/A	N/A	N/A	N/A
23	Stk	Capacitor - Compressor	N/A	N/A	43-101666-25	N/A	43-101666-68	N/A
	Stk	Compressor Wiring Harness (Molded Plug)	45-100834-80	45-100834-80	45-100834-80	45-100834-80	45-100834-80	45-100834-80
25		Crankcase Heater	See Accessories					
		Filter Drier	See Coil Group					

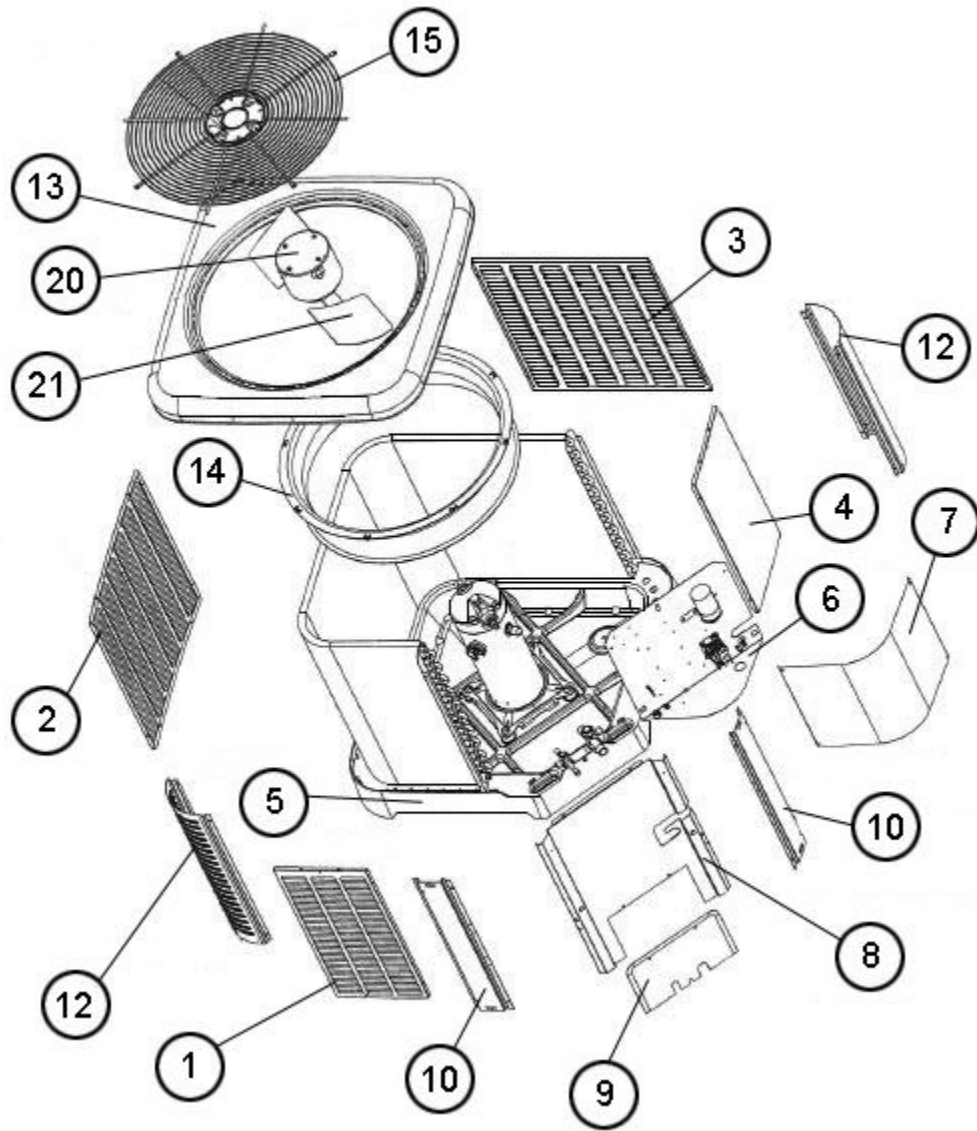
No.	Notes	MODEL COOLING CAPACITY VARIATION	RA16 36 BJ1NA/B	RA16 36 BC1NB				
<b>COMPRESSOR GROUP</b>								
		<b>Compressor ID:</b>	<b>9090/9143</b>	<b>9091/9144</b>				
40	Stk	Compressor	55-102045-103S	55-102045-138S				
		Compressor Grommet (4)	56-18518-04	56-18518-04				
		Compressor Bolt (4)	63-20072-07	63-20072-07				
23	Stk	Capacitor - Compressor/Fan	43-101665-13	N/A				
23	Stk	Capacitor - Fan	N/A	43-101666-58				
	Stk	Compressor Wiring Harness (Molded Plug)	45-100834-80	45-100834-80				
25		Crankcase Heater	See Accessories					
		Filter Drier	See Coil Group					

No.	Notes	MODEL COOLING CAPACITY VARIATION	RA16 42 AJ1NA/B	RA16 48 AC1NB	RA16 48 AJ1NA/B	RA16 60 AC1NB	RA16 60 AJ1NA/B	
<b>COMPRESSOR GROUP</b>								
		<b>Compressor ID:</b>	<b>9063</b>	<b>9068</b>	<b>9064</b>	<b>9069</b>	<b>9065</b>	
40	Stk	Compressor	55-102045-144S	55-102045-147S	55-102045-146S	55-102045-130S	55-102045-101S	
		Compressor Grommet (4)	56-18518-06	56-18518-06	56-18518-06	56-18518-06	56-18518-06	
		Compressor Bolt (4)	63-20072-07	63-20072-07	63-20072-07	63-20072-07	63-20072-07	
23	Stk	Capacitor - Compressor	43-101666-68	N/A	43-101666-68	N/A	43-101666-69	
	Stk	Compressor Wiring Harness (Molded Plug)	45-100834-80	45-100834-80	45-100834-80	45-100834-80	45-100834-80	
25		Crankcase Heater	See Accessories			44-103663-13	44-103663-13	
		Filter Drier	See Coil Group					

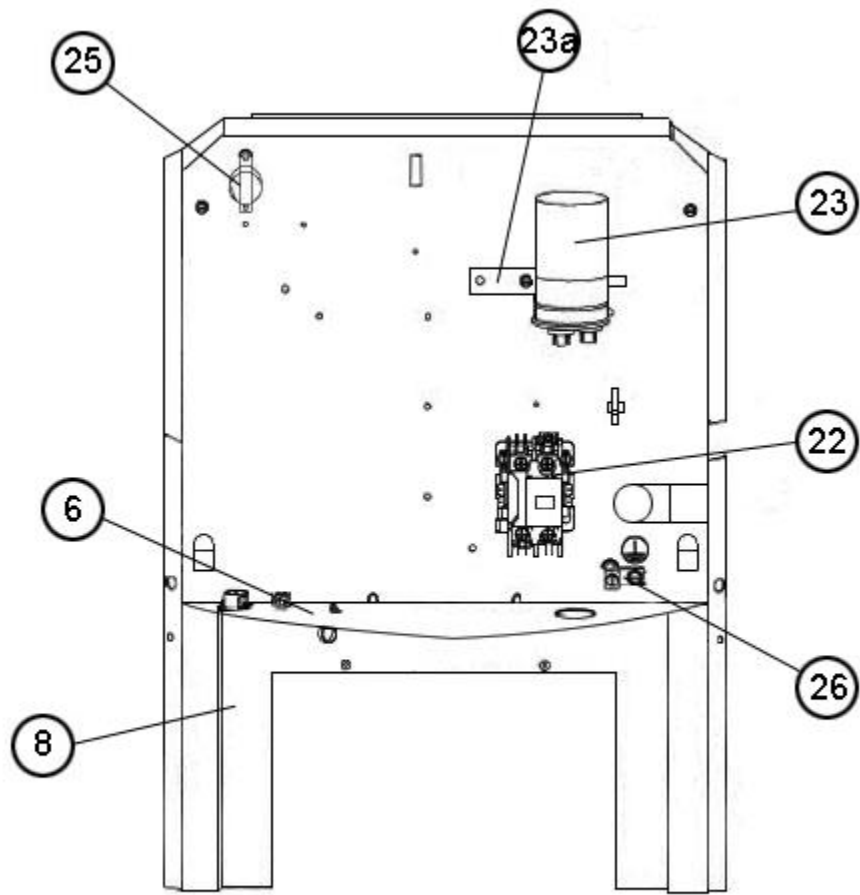
No.	Notes	MODEL COOLING CAPACITY VARIATION	RA16 18 AJ1NA/B	RA16 24 AJ1NA/B	RA16 30 AJ1NA/B	RA16 36 AC1NB	RA16 36 AJ1NA/B	RA16 42 AC1NB
<b>ACCESSORIES</b>								
		Low Ambient Control	RXAD-A08	RXAD-A08	RXAD-A08	RXAD-A08	RXAD-A08	RXAD-A08
		Compressor Crankcase Heater	44-17402-44	44-17402-44	44-17402-44	44-17402-44	44-17402-44	44-17402-45
		Compressor Sound Cover	68-23427-26	68-23427-26	68-23427-26	68-23427-26	68-23427-26	68-23427-25
		Compressor Hard Start Kit	SK-A1	SK-A1	SK-A1	SK-A1	SK-A1	SK-A1
		Low Pressure Control	RXAC-A07	RXAC-A07	RXAC-A07	RXAC-A07	RXAC-A07	RXAC-A07
		High Pressure Control	RXAB-A07	RXAB-A07	RXAB-A07	RXAB-A07	RXAB-A07	RXAB-A07

No.	Notes	MODEL COOLING CAPACITY VARIATION	RA16 36 BJ1NA/B	RA16 36 BC1NB				
<b>ACCESSORIES</b>								
		Low Ambient Control	RXAD-A08	RXAD-A08				
		Compressor Crankcase Heater	44-17402-44	44-17402-44				
		Compressor Sound Cover	68-23427-26	68-23427-26				
		Compressor Hard Start Kit	SK-A1	SK-A1				
		Low Pressure Control	RXAC-A07	RXAC-A07				
		High Pressure Control	RXAB-A07	RXAB-A07				

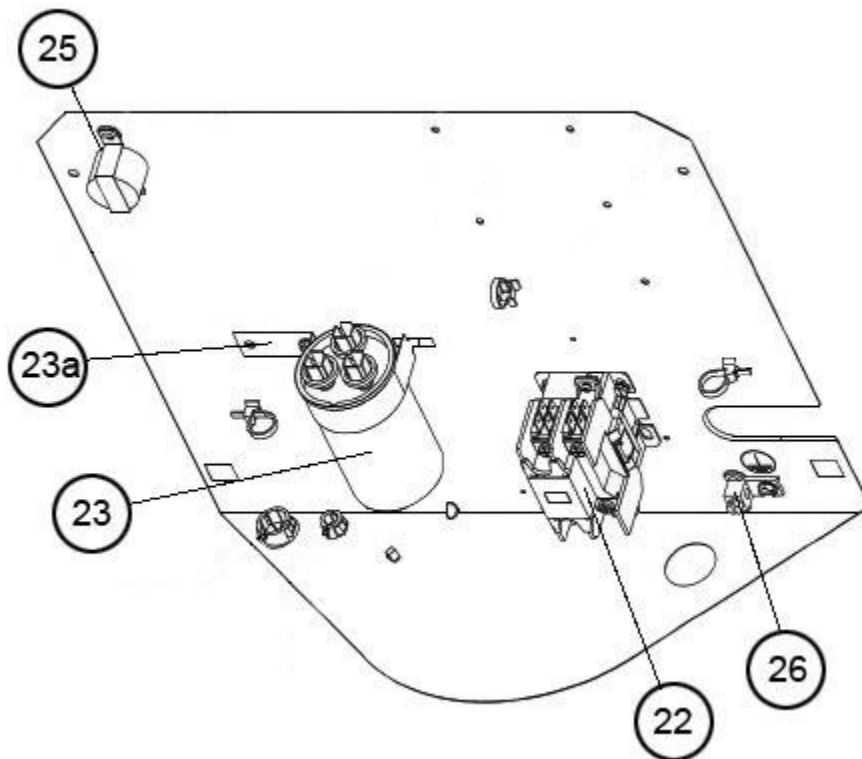
No.	Notes	MODEL COOLING CAPACITY VARIATION	RA16 42 AJ1NA/B	RA16 48 AC1NB	RA16 48 AJ1NA/B	RA16 60 AC1NB	RA16 60 AJ1NA/B	
<b>ACCESSORIES</b>								
		Low Ambient Control	RXAD-A08	RXAD-A08	RXAD-A08	RXAD-A08	RXAD-A08	
		Compressor Crankcase Heater	44-17402-45	44-17402-45	44-17402-45	44-17402-45	44-17402-45	
		Compressor Sound Cover	68-23427-25	68-23427-25	68-23427-25	68-23427-25	68-23427-25	
		Compressor Hard Start Kit	SK-A1	SK-A1	SK-A1	SK-A1	SK-A1	
		Low Pressure Control	RXAC-A07	RXAC-A07	RXAC-A07	RXAC-A07	RXAC-A07	
		High Pressure Control	RXAB-A07	RXAB-A07	RXAB-A07	RXAB-A07	RXAB-A07	



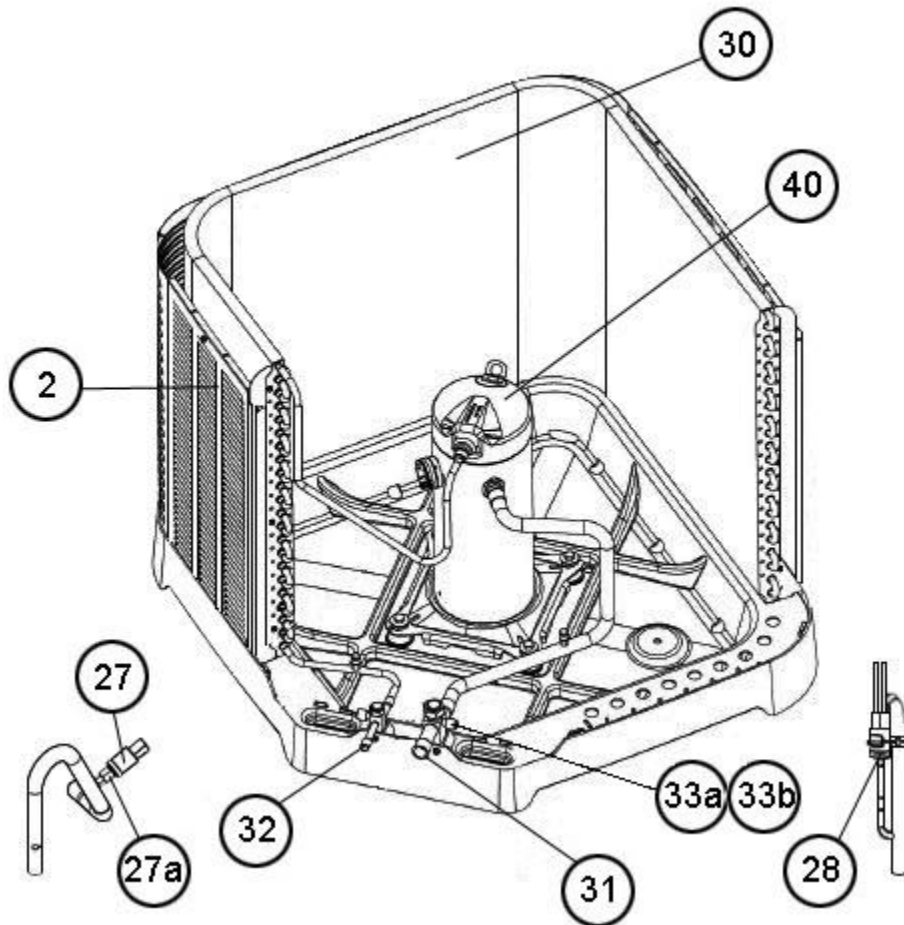
Exploded View



Control Box (1)



Control Box (2)



Valve Mounting, Compressor

# NOTES

Stk It is recommended that stock be maintained for this part.  
N/A Not Applicable