



# RA14

Parts List  
28-April-2022



*This parts list is current as of the above revision date.  
See <http://www.rheempartslists.net/92-42801-RA14.pdf> for the current revision.*

**Condensing Units**

# Table of Contents

Model Explanation.....	Page 3
------------------------	--------

## Parts Numbers

Panels - Miscellaneous (1).....	Page 4
Panels - Miscellaneous (2).....	Page 5
Panels - Miscellaneous (3).....	Page 6
Panels - Miscellaneous (4).....	Page 7
Electrical-Fan Group (1).....	Page 8
Electrical-Fan Group (2).....	Page 9
Electrical-Fan Group (3).....	Page 10
Coil Parts (1).....	Page 11
Coil Parts (2).....	Page 12
Compressor Group (1).....	Page 13
Compressor Group (2).....	Page 14
Compressor Group (3).....	Page 15
Accessories (1).....	Page 16
Accessories (2).....	Page 17

## Drawings/Photographs

Exploded View.....	Page 18
Control Box (1).....	Page 19
Control Box (2).....	Page 19
Valve Mounting, Compressor.....	Page 20

Notes.....	Page 21
------------	---------

**MODEL NUMBER EXPLANATION**

<b>R</b>	<b>A</b>	<b>1</b>	<b>4</b>	<b>1</b>	<b>8</b>	<b>A</b>	<b>J</b>	<b>1</b>	<b>N</b>	<b>A</b>
<b>1</b>	<b>2</b>	<b>3</b>	<b>4</b>	<b>5</b>	<b>6</b>	<b>7</b>	<b>8</b>	<b>9</b>		

- |   |  |
|---|--|
| <p><b>(1) Brand</b></p> <p><b>(2) Product Category</b><br/>A = Air Conditioner</p> <p><b>(3) Seer</b><br/>14 = 14 SEER</p> <p><b>(4) COOLING CAPACITY (BTU/HR)</b><br/>018 = 18,000<br/>024 = 24,000<br/>030 = 30,000<br/>036 = 36,000<br/>042 = 42,000<br/>048 = 48,000<br/>060 = 60,000</p> | <p><b>(5) MAJOR SERIES</b><br/>A = First Design Series<br/>B = Second Design Series<br/>C = Third Design Series<br/>W = Southwest Regional<br/>X = Southwest Second Design Series</p> <p><b>(6) VOLTAGE</b><br/>J = 208-230/1/60<br/>C = 208-230/3/60<br/>D = 460/3/60<br/>Y = 575/3/60</p> <p><b>(7) TYPE</b><br/>1 = Single Stage</p> <p><b>(8) CONTROLS</b><br/>N = Non-Communicating</p> <p><b>(9) MINOR SERIES</b><br/>A = First Design Series<br/>B = Second Design Series (LPC/HPC)</p> |
|---|--|

**SERIAL NUMBER EXPLANATION**

<b>W</b>	<b>0</b>	<b>8</b>	<b>1</b>	<b>3</b>	<b>9</b>	<b>9</b>	<b>9</b>	<b>9</b>
(1)	(2)	(3)	(4)					

- (1) PLANT CODE**  
W = West Nuevo Laredo
- (2) WEEK OF PRODUCTION**
- (3) YEAR OF PRODUCTION**
- (4) PRODUCTION NUMBER**

**Note: For Compressor Identification Number, see Compressor Code on Rating Plate**

No.	Notes	MODEL COOLING CAPACITY VARIATION	RA14 36 AC1NB	RA14 42 AC1NB	RA14 48 AC1NB	RA14 60 AC1NB		
<b>SHEET METAL PARTS, MISCELLANEOUS</b>								
1		Front Panel	AE-104456-03	AE-104456-05	AE-104456-35	AE-104456-38		
2		Left Panel (Badge Panel)	AE-104456-21	AE-104456-34	AE-104456-37	AE-104456-40		
3		Back Panel	AE-104456-04	AE-104456-63	AE-104456-36	AE-104456-39		
4		Right Panel	AE-104456-03	AE-104456-05	AE-104456-35	AE-104456-38		
5		Base Pan	68-104457-02	68-104457-03	68-104457-03	68-104457-03		
6		Control Box - Before W1017	AE-104461-01	AE-104461-01	AE-104461-01	AE-104461-01		
6		Control Box - On or After W1017	AE-104461-05	AE-104461-05	AE-104461-05	AE-104461-05		
7		Control Box Cover	AS-104462-01H	AS-104462-01H	AS-104462-01H	AS-104462-01H		
8		Control Box Bracket	AS-104460-02H	AS-104460-02H	AS-104460-03H	AS-104460-04H		
9		Service Door	AS-104525-01H	AS-104525-01H	AS-104525-01H	AS-104525-01H		
10		Center Post (2)	AS-104459-03H	AS-104459-03H	AS-104459-05H	AS-104459-07H		
12		Corner Post - Louvered	AS-104469-02H	AS-104469-02H	AS-104469-03H	AS-104469-04H		
13		Top Panel	AS-104458-02H	AS-104458-03H	AS-104458-03H	AS-104458-03H		
14		Venturi	68-104464-04	68-104464-05	68-104464-05	68-104464-05		
15		Grille	95-104620-02	95-104620-03	95-104620-03	95-104620-03		
		Center Cap - Blank (for Grille)	91-101123-00	91-101123-00	91-101123-00	91-101123-00		
		Service Valve - Suction				See Coil Group		
		Service Valve - Liquid				See Coil Group		
		Touch-up Paint - Granite/Steel Gray (Aerosol)	PD523018	PD523018	PD523018	PD523018		
		Touch-up Paint - Granite/Steel Gray (Paint Pens)	PD523019	PD523019	PD523019	PD523019		

No.	Notes	MODEL COOLING CAPACITY VARIATION	RA14 36 AD1NB	RA14 42 AD1NB	RA14 48 AD1NB	RA14 60 AD1NB		
<b>SHEET METAL PARTS, MISCELLANEOUS</b>								
1		Front Panel	AE-104456-03	AE-104456-05	AE-104456-35	AE-104456-38		
2		Left Panel (Badge Panel)	AE-104456-21	AE-104456-34	AE-104456-37	AE-104456-40		
3		Back Panel	AE-104456-04	AE-104456-63	AE-104456-36	AE-104456-39		
4		Right Panel	AE-104456-03	AE-104456-05	AE-104456-35	AE-104456-38		
5		Base Pan	68-104457-02	68-104457-03	68-104457-03	68-104457-03		
6		Control Box - Before W1017	AE-104461-01	AE-104461-01	AE-104461-01	AE-104461-01		
6		Control Box - On or After W1017	AE-104461-05	AE-104461-05	AE-104461-05	AE-104461-05		
7		Control Box Cover	AS-104462-01H	AS-104462-01H	AS-104462-01H	AS-104462-01H		
8		Control Box Bracket	AS-104460-02H	AS-104460-02H	AS-104460-03H	AS-104460-04H		
9		Service Door	AS-104525-01H	AS-104525-01H	AS-104525-01H	AS-104525-01H		
10		Center Post (2)	AS-104459-03H	AS-104459-03H	AS-104459-05H	AS-104459-07H		
12		Corner Post - Louvered (3)	AS-104469-02H	AS-104469-02H	AS-104469-03H	AS-104469-04H		
13		Top Panel	AS-104458-02H	AS-104458-03H	AS-104458-03H	AS-104458-03H		
14		Venturi	68-104464-04	68-104464-05	68-104464-05	68-104464-05		
15		Grille	95-104620-02	95-104620-03	95-104620-03	95-104620-03		
		Center Cap - Blank (for Grille)	91-101123-00	91-101123-00	91-101123-00	91-101123-00		
		Service Valve - Suction				See Coil Group		
		Service Valve - Liquid				See Coil Group		
		Touch-up Paint - Granite/Steel Gray (Aerosol)	PD523018	PD523018	PD523018	PD523018		
		Touch-up Paint - Granite/Steel Gray (Paint Pens)	PD523019	PD523019	PD523019	PD523019		

No.	Notes	MODEL COOLING CAPACITY VARIATION	RA14 18 AJ1NA/B	RA14 24 AJ1NA/B	RA14 30 AJ1NA/B	RA14 36 AJ1NA/B	RA14 42 AJ1NA/B	RA14 48 AJ1NA/B	
<b>SHEET METAL PARTS, MISCELLANEOUS</b>									
1		Front Panel	AE-104456-07	AE-104456-07	AE-104456-01	AE-104456-03	AE-104456-05	AE-104456-35	
2		Left Panel (Badge Panel)	AE-104456-09	AE-104456-09	AE-104456-12	AE-104456-21	AE-104456-34	AE-104456-37	
3		Back Panel	AE-104456-08	AE-104456-08	AE-104456-02	AE-104456-04	AE-104456-63	AE-104456-36	
4		Right Panel	AE-104456-10	AE-104456-07	AE-104456-01	AE-104456-03	AE-104456-05	AE-104456-35	
5		Base Pan	68-104457-01	68-104457-01	68-104457-01	68-104457-02	68-104457-03	68-104457-03	
6		Control Box - Before W1017	AE-104461-01	AE-104461-01	AE-104461-01	AE-104461-01	AE-104461-01	AE-104461-01	
6		Control Box - On or After W1017	AE-104461-05	AE-104461-05	AE-104461-05	AE-104461-05	AE-104461-05	AE-104461-05	
7		Control Box Cover	AS-104462-01H	AS-104462-01H	AS-104462-01H	AS-104462-01H	AS-104462-01H	AS-104462-01H	
8		Control Box Bracket	AS-104460-01H	AS-104460-01H	AS-104460-02H	AS-104460-02H	AS-104460-02H	AS-104460-03H	
9		Service Door	AS-104525-01H	AS-104525-01H	AS-104525-01H	AS-104525-01H	AS-104525-01H	AS-104525-01H	
10		Center Post (2)	AS-104459-01H	AS-104459-01H	AS-104459-03H	AS-104459-03H	AS-104459-03H	AS-104459-05H	
12		Corner Post - Solid (1)	AS-104469-08H	N/A	N/A	N/A	N/A	N/A	
12		Corner Post - Louvered (2)	AS-104469-01H	AS-104469-01H (3)	AS-104469-02H (3)	AS-104469-02H (3)	AS-104469-02H (3)	AS-104469-03H (3)	
13		Top Panel	AS-104458-01H	AS-104458-01H	AS-104458-01H	AS-104458-02H	AS-104458-03H	AS-104458-03H	
14		Venturi	68-104464-02	68-104464-02	68-104464-02	68-104464-04	68-104464-05	68-104464-05	
15		Grille	95-104620-01	95-104620-01	95-104620-01	95-104620-02	95-104620-03	95-104620-03	
		Center Cap - Blank (for Grille)	91-101123-00	91-101123-00	91-101123-00	91-101123-00	91-101123-00	91-101123-00	
		Service Valve - Suction	See Coil Group						
		Service Valve - Liquid	See Coil Group						
		Touch-up Paint - Granite/Steel Gray (Aerosol)	PD523018	PD523018	PD523018	PD523018	PD523018	PD523018	
		Touch-up Paint - Granite/Steel Gray (Paint Pens)	PD523019	PD523019	PD523019	PD523019	PD523019	PD523019	

No.	Notes	MODEL COOLING CAPACITY VARIATION	RA14 60 AJ1NA/B	RA14 42 BC1NB	RA14 60 BC1NB			
<b>SHEET METAL PARTS, MISCELLANEOUS</b>								
1		Front Panel	AE-104456-38	AE-104456-22	AE-104456-49			
2		Left Panel (Badge Panel)	AE-104456-40	AE-104456-24	AE-104456-58			
3		Back Panel	AE-104456-39	AE-104456-23	AE-104456-50			
4		Right Panel	AE-104456-38	AE-104456-22	AE-104456-49			
5		Base Pan	68-104457-03	68-104457-02	68-104457-03			
6		Control Box - Before W1017	AE-104461-01	AE-104461-01	N/A			
6		Control Box - On or After W1017	AE-104461-05	AE-104461-05	AE-104461-05			
7		Control Box Cover	AS-104462-01H	AS-104462-01H	AS-104462-01H			
8		Control Box Bracket	AS-104460-04H	AS-104460-03H	AS-104460-11H			
9		Service Door	AS-104525-01H	AS-104525-01H	AS-104525-01H			
10		Center Post (2)	AS-104459-07H	AS-104459-05H	AS-104459-13H			
12		Corner Post - Louvered (3)	AS-104469-04H	AS-104469-03H	AS-104469-07H			
13		Top Panel	AS-104458-03H	AS-104458-02H	AS-104458-03H			
14		Venturi	68-104464-05	68-104464-04	68-104464-07			
15		Grille	95-104620-03	95-104620-02	95-104620-03			
		Center Cap - Blank (for Grille)	91-101123-00	91-105471-01	91-105471-01			
		Service Valve - Suction	See Coil Group					
		Service Valve - Liquid	See Coil Group					
		Touch-up Paint - Granite/Steel Gray (Aerosol)	PD523018	PD523018	PD523018			
		Touch-up Paint - Granite/Steel Gray (Paint Pens)	PD523019	PD523019	PD523019			

No.	Notes	MODEL COOLING CAPACITY VARIATION	RA14 24 BJ1NA/B	RA14 42 BJ1NA/B	RA14 60 BJ1NA/B		RA14 42 CC1NB	RA14 60 CC1NB
<b>SHEET METAL PARTS, MISCELLANEOUS</b>								
1		Front Panel	AE-104456-07	AE-104456-22	AE-104456-49		AE-104456-25	AE-104456-46
2		Left Panel (Badge Panel)	AE-104456-09	AE-104456-24	AE-104456-58		AE-104456-41	AE-104456-57
3		Back Panel	AE-104456-08	AE-104456-23	AE-104456-50		AE-104456-26	AE-104456-47
4		Right Panel	AE-104456-07	AE-104456-22	AE-104456-49		AE-104456-25	AE-104456-46
5		Base Pan	68-104457-01	68-104457-02	68-104457-03		68-104457-02	68-104457-03
6		Control Box - Before W1017	N/A	AE-104461-01	N/A		AE-104461-05	N/A
6		Control Box - On or After W1017	AE-104461-05	AE-104461-05	AE-104461-05		AE-104461-05	AE-104461-05
7		Control Box Cover	AS-104462-01H	AS-104462-01H	AS-104462-01H		AS-104462-01H	AS-104462-01H
8		Control Box Bracket	AS-104460-01H	AS-104460-03H	AS-104460-11H		AS-104460-04H	AS-104460-06H
9		Service Door	AS-104525-01H	AS-104525-01H	AS-104525-01H		AS-104525-01H	AS-104525-01H
10		Center Post (2)	AS-104459-01H	AS-104459-05H	AS-104459-13H		AS-104459-07H	AS-104459-11H
12		Corner Post - Louvered (3)	AS-104469-01H	AS-104469-03H	AS-104469-07H		AS-104469-04H	AS-104469-06H
13		Top Panel	AS-104458-01H	AS-104458-02H	AS-104458-03H		AS-104458-02H	AS-104458-03H
14		Venturi	68-104464-02	68-104464-04	68-104464-07		68-104464-04	68-104464-07
15		Grille	95-104620-01	95-104620-02	95-104620-03		95-104620-02	95-104620-03
		Center Cap - Blank (for Grille)	91-105471-01	91-105471-01	91-105471-01		91-105471-01	91-105471-01
		Service Valve - Suction					See Coil Group	
		Service Valve - Liquid					See Coil Group	
		Touch-up Paint - Granite/Steel Gray (Aerosol)	PD523018	PD523018	PD523018		PD523018	PD523018
		Touch-up Paint - Granite/Steel Gray (Paint Pens)	PD523019	PD523019	PD523019		PD523019	PD523019

No.	Notes	MODEL COOLING CAPACITY VARIATION	RA14 60 CD1NB	RA14 42 CJ1NA/B	RA14 60 CJ1NA/B		RA14 36 WC1NB	RA14 42 WC1NB
<b>SHEET METAL PARTS, MISCELLANEOUS</b>								
1		Front Panel	AE-104456-46	AE-104456-25	AE-104456-46		AE-104456-22	AE-104456-25
2		Left Panel (Badge Panel)	AE-104456-57	AE-104456-41	AE-104456-57		AE-104456-24	AE-104456-41
3		Back Panel	AE-104456-47	AE-104456-26	AE-104456-47		AE-104456-23	AE-104456-26
4		Right Panel	AE-104456-46	AE-104456-25	AE-104456-46		AE-104456-22	AE-104456-25
5		Base Pan	68-104457-03	68-104457-02	68-104457-03		68-104457-02	68-104457-02
6		Control Box - Before W1017	N/A	AE-104461-05	N/A		AE-104461-01	AE-104461-01
6		Control Box - On or After W1017	AE-104461-05	AE-104461-05	AE-104461-05		AE-104461-05	AE-104461-05
7		Control Box Cover	AS-104462-01H	AS-104462-01H	AS-104462-01H		AS-104462-01H	AS-104462-01H
8		Control Box Bracket	AS-104460-06H	AS-104460-04H	AS-104460-06H		AS-104460-03H	AS-104460-04H
9		Service Door	AS-104525-01H	AS-104525-01H	AS-104525-01H		AS-104525-01H	AS-104525-01H
10		Center Post (2)	AS-104459-11H	AS-104459-07H	AS-104459-11H		AS-104459-05H	AS-104459-07H
12		Corner Post - Louvered (3)	AS-104469-06H	AS-104469-04H	AS-104469-06H		AS-104469-03H	AS-104469-04H
13		Top Panel	AS-104458-03H	AS-104458-02H	AS-104458-03H		AS-104458-02H	AS-104458-02H
14		Venturi	68-104464-07	68-104464-04	68-104464-07		68-104464-04	68-104464-04
15		Grille	95-104620-03	95-104620-02	95-104620-03		95-104620-02	95-104620-02
		Center Cap - Blank (for Grille)	91-105471-01	91-105471-01	91-105471-01		91-105471-01	91-105471-01
		Service Valve - Suction					See Coil Group	
		Service Valve - Liquid					See Coil Group	
		Touch-up Paint - Granite/Steel Gray (Aerosol)	PD523018	PD523018	PD523018		PD523018	PD523018
		Touch-up Paint - Granite/Steel Gray (Paint Pens)	PD523019	PD523019	PD523019		PD523019	PD523019

No.	Notes	MODEL COOLING CAPACITY VARIATION	RA14 18 WJ1NA/B	RA14 24 WJ1NA/B	RA14 30 WJ1NA/B	RA14 36 WJ1NA/B	RA14 42 WJ1NA/B		
<b>SHEET METAL PARTS, MISCELLANEOUS</b>									
1		Front Panel	AE-104456-01	AE-104456-07	AE-104456-15	AE-104456-22	AE-104456-25		
2		Left Panel (Badge Panel)	AE-104456-12	AE-104456-09	AE-104456-17	AE-104456-24	AE-104456-41		
3		Back Panel	AE-104456-02	AE-104456-08	AE-104456-16	AE-104456-23	AE-104456-26		
4		Right Panel	AE-104456-13	AE-104456-07	AE-104456-15	AE-104456-22	AE-104456-25		
5		Base Pan	68-104457-01	68-104457-01	68-104457-01	68-104457-02	68-104457-02		
6		Control Box - Before W1017	AE-104461-01	AE-104461-01	AE-104461-01	AE-104461-01	AE-104461-01		
6		Control Box - On or After W1017	AE-104461-05	AE-104461-05	AE-104461-05	AE-104461-05	AE-104461-05		
7		Control Box Cover	AS-104462-01H	AS-104462-01H	AS-104462-01H	AS-104462-01H	AS-104462-01H		
8		Control Box Bracket	AS-104460-02H	AS-104460-01H	AS-104460-03H	AS-104460-03H	AS-104460-04H		
9		Service Door	AS-104525-01H	AS-104525-01H	AS-104525-01H	AS-104525-01H	AS-104525-01H		
10		Center Post (2)	AS-104459-03H	AS-104459-01H	AS-104459-05H	AS-104459-05H	AS-104459-07H		
12		Corner Post - Solid	AS-104469-09H (2)	N/A	N/A	N/A	N/A		
12		Corner Post - Louvered	AS-104469-02H (1)	AS-104469-01H (3)	AS-104469-03H (3)	AS-104469-03H (3)	AS-104469-04H (3)		
13		Top Panel	AS-104458-01H	AS-104458-01H	AS-104458-01H	AS-104458-02H	AS-104458-02H		
14		Venturi	68-104464-02	68-104464-02	68-104464-02	68-104464-04	68-104464-04		
15		Grille	95-104620-01	95-104620-01	95-104620-01	95-104620-02	95-104620-02		
		Center Cap - Blank (for Grille)	91-105471-01	91-105471-01	91-105471-01	91-105471-01	91-105471-01		
		Service Valve - Suction	See Coil Group						
		Service Valve - Liquid	See Coil Group						
		Touch-up Paint - Granite/Steel Gray (Aerosol)	PD523018	PD523018	PD523018	PD523018	PD523018		
		Touch-up Paint - Granite/Steel Gray (Paint Pens)	PD523019	PD523019	PD523019	PD523019	PD523019		

No.	Notes	MODEL COOLING CAPACITY VARIATION	RA14 42 XC1NB	RA14 24 XJ1NA/B	RA14 30 XJ1NA/B	RA14 42 XJ1NA/B		
<b>SHEET METAL PARTS, MISCELLANEOUS</b>								
1		Front Panel	AE-104456-43		AE-104456-03	AE-104456-05	AE-104456-43	
2		Left Panel (Badge Panel)	AE-104456-56		AE-104456-21	AE-104456-34	AE-104456-56	
3		Back Panel	AE-104456-44		AE-104456-04	AE-104456-63	AE-104456-44	
4		Right Panel	AE-104456-43		AE-104456-03	AE-104456-05	AE-104456-43	
5		Base Pan	68-104457-03		68-104457-02	68-104457-03	68-104457-03	
6		Control Box	AE-104461-05		AE-104461-05	AE-104461-05	AE-104461-05	
7		Control Box Cover	AS-104462-01H		AS-104462-01H	AS-104462-01H	AS-104462-01H	
8		Control Box Bracket	AS-104460-05H		AS-104460-02H	AS-104460-02H	AS-104460-05H	
9		Service Door	AS-104525-01H		AS-104525-01H	AS-104525-01H	AS-104525-01H	
10		Center Post (2)	AS-104459-09H		AS-104459-03H	AS-104459-03H	AS-104459-09H	
12		Corner Post - Louvered (3)	AS-104469-05H		AS-104469-02H	AS-104469-02H	AS-104469-05H	
13		Top Panel	AS-104458-03H		AS-104458-02H	AS-104458-03H	AS-104458-03H	
14		Venturi	68-104464-07		68-104464-04	68-104464-07	68-104464-07	
15		Grille	95-104620-03		95-104620-02	95-104620-03	95-104620-03	
		Center Cap - Blank (for Grille)	91-105471-01		91-105471-01	91-105471-01	91-105471-01	
		Service Valve - Suction	See Coil Group					
		Service Valve - Liquid	See Coil Group					
		Touch-up Paint - Granite/Steel Gray (Aerosol)	PD523018		PD523018	PD523018	PD523018	
		Touch-up Paint - Granite/Steel Gray (Paint Pens)	PD523019		PD523019	PD523019	PD523019	

No.	Notes	MODEL COOLING CAPACITY VARIATION	RA14 36 AC1NB	RA14 42 AC1NB	RA14 48 AC1NB	RA14 60 AC1NB			
<b>ELECTRICAL/FAN GROUP</b>									
20	Stk	Fan Motor (before W1017)	51-101774-02	51-102008-07	51-102008-07	51-101774-12			
20	Stk	Fan Motor (on or after W1017)	51-101774-52	51-101774-52	51-101774-51	51-101774-12			
21	Stk	Fan Blade	70-102011-12	70-101323-27	70-101323-27	70-101323-28			
22	Stk	Contactactor	42-102664-14	42-102664-14	42-102664-14	42-102664-14			
23		Capacitor	See Compressor Group						
23a		Capacitor Strap	AE-104562-01	AE-104562-01	AE-104562-01	AE-104562-01			
25		Crankcase Heater	See Compressor Group						
26		Grounding Lug	45-19000-01	45-19000-01	45-19000-01	45-19000-01			
		Low Ambient Control	See Accessories Group						
27	Stk	Low Pressure Control (Design Series 'B')	47-103670-08	47-103670-08	47-103670-08	47-103670-08			
27a		Valve Body - Low Pressure Control	61-18542-01	61-18542-01	61-18542-01	61-18542-01			
28	Stk	High Pressure Control (Design Series 'B')	47-102290-01	47-102290-01	47-102290-01	47-102290-01			

No.	Notes	MODEL COOLING CAPACITY VARIATION	RA14 36 AD1NB	RA14 42 AD1NB	RA14 48 AD1NB	RA14 60 AD1NB			
<b>ELECTRICAL/FAN GROUP</b>									
20	Stk	Fan Motor (Three-phase) - See Note 1	51-102008-24	N/A	51-102008-28	N/A			
20	Stk	Fan Motor (Single-phase) - See Note 1	51-101774-06	51-101774-38	51-101774-38	51-101774-34			
21	Stk	Fan Blade (Three-phase Motor) - See Note 1	70-102011-12	N/A	70-101323-27	N/A			
21	Stk	Fan Blade (Single-phase Motor) - See Note 1	70-102011-09	70-101323-27	70-101323-27	70-101323-28			
22	Stk	Contactactor	42-102664-14	42-102664-14	42-102664-10	42-102664-14			
23		Capacitor - Fan (Single-phase Motor) - See Note 1	43-101666-65	43-101666-65	43-101666-65	43-101666-65			
23a		Capacitor Strap	AE-104562-01	AE-104562-01	AE-104562-01	AE-104562-01			
25		Crankcase Heater	See Accessories Group						
26		Grounding Lug	45-19000-01	45-19000-01	45-19000-01	45-19000-01			
		Low Ambient Control	See Accessories Group						
27	Stk	Low Pressure Control (Design Series 'B')	47-103670-08	47-103670-08	47-103670-08	47-103670-08			
27a		Valve Body - Low Pressure Control	61-18542-01	61-18542-01	61-18542-01	61-18542-01			
28	Stk	High Pressure Control (Design Series 'B')	47-102290-01	47-102290-01	47-102290-01	47-102290-01			

No.	Notes	MODEL COOLING CAPACITY VARIATION	RA14 18 AJ1NA/B	RA14 24 AJ1NA/B	RA14 30 AJ1NA/B	RA14 36 AJ1NA/B	RA14 42 AJ1NA/B	RA14 48 AJ1NA/B	
<b>ELECTRICAL/FAN GROUP</b>									
20	Stk	Fan Motor (before W1017)	51-101774-21	51-101774-23	51-101774-22	51-101774-02	51-102008-07	51-102008-07	
20	Stk	Fan Motor (on or after W1017)	51-101774-21	51-101774-23	51-101774-22	51-101774-52	51-102008-34	51-101774-51	
21	Stk	Fan Blade	70-101323-24	70-101323-37	70-101323-25	70-102011-12	70-101323-27	70-101323-27	
22	Stk	Contactactor	42-102664-05	42-102664-05	42-102664-05	42-102664-05	42-102664-05	42-102664-10	
23		Capacitor	See Compressor Group						
23a		Capacitor Strap	AE-104562-01	AE-104562-01	AE-104562-01	AE-104562-01	AE-104562-01	AE-104562-01	
25		Crankcase Heater	See Compressor Group						
26		Grounding Lug	45-19000-01	45-19000-01	45-19000-01	45-19000-01	45-19000-01	45-19000-01	
		Low Ambient Control	See Accessories Group						
27	Stk	Low Pressure Control (Design Series 'B')	47-103670-08	47-103670-08	47-103670-08	47-103670-08	47-103670-08	47-103670-08	
27a		Valve Body - Low Pressure Control	61-18542-01	61-18542-01	61-18542-01	61-18542-01	61-18542-01	61-18542-01	
28	Stk	High Pressure Control (Design Series 'B')	47-102290-01	47-102290-01	47-102290-01	47-102290-01	47-102290-01	47-102290-01	



No.	Notes	MODEL COOLING CAPACITY VARIATION	RA14 60 AJ1NA/B		RA14 42 BC1NB	RA14 60 BC1NB		
<b>ELECTRICAL/FAN GROUP</b>								
20	Stk	Fan Motor	51-101774-12		51-104691-04	51-102728-19		
21	Stk	Fan Blade	70-101323-28		70-102011-09	70-101323-29		
22	Stk	Contactora	42-102664-10		42-102664-14	42-102664-14		
23		Capacitor	See Compressor Group					
23a		Capacitor Strap	AE-104562-01		AE-104562-01	N/A		
25		Crankcase Heater	See Accessories Group					
26		Grounding Lug	45-19000-01		45-19000-01	45-19000-01		
		Low Ambient Control	See Accessories Group					
27	Stk	Low Pressure Control (Design Series 'B')	47-103670-08		47-103670-08	47-103670-08		
27a		Valve Body - Low Pressure Control	61-18542-01		61-18542-01	61-18542-01		
28	Stk	High Pressure Control (Design Series 'B')	47-102290-01		47-102290-01	47-102290-01		

No.	Notes	MODEL COOLING CAPACITY VARIATION	RA14 24 BJ1NA/B	RA14 42 BJ1NA/B	RA14 60 BJ1NA/B		RA14 42 CC1NB	RA14 60 CC1NB
<b>ELECTRICAL/FAN GROUP</b>								
20	Stk	Fan Motor (before W4918)	51-101774-23	51-104691-04	51-106394-03		51-101774-51	51-101774-12
20	Stk	Fan Motor (on or after W4918)	51-101774-23	51-104691-04	51-102728-19		51-101774-51	51-101774-12
21	Stk	Fan Blade	70-101323-37	70-102011-09	70-101323-29		70-101323-30	70-102345-15
22	Stk	Contactora	42-102664-05	42-102664-05	42-102664-10		42-102664-14	42-102664-14
23		Capacitor	See Compressor Group					
23a		Capacitor Strap	AE-104562-01	AE-104562-01	AE-104562-01		AE-104562-01	AE-104562-01
25		Crankcase Heater	See Accessories Group					
26		Grounding Lug	45-19000-01	45-19000-01	45-19000-01		45-19000-01	45-19000-01
		Low Ambient Control	See Accessories Group					
27	Stk	Low Pressure Control (Design Series 'B')	47-103670-08	47-103670-08	47-103670-08		47-103670-08	47-103670-08
27a		Valve Body - Low Pressure Control	61-18542-01	61-18542-01	61-18542-01		61-18542-01	61-18542-01
28	Stk	High Pressure Control (Design Series 'B')	47-102290-01	47-102290-01	47-102290-01		47-102290-01	47-102290-01

No.	Notes	MODEL COOLING CAPACITY VARIATION	RA14 60 CD1NB	RA14 42 CJ1NA/B	RA14 60 CJ1NA/B		RA14 36 WC1NB	RA14 42 WC1NB
<b>ELECTRICAL/FAN GROUP</b>								
20	Stk	Fan Motor (before W1017)	N/A	N/A	N/A		51-102008-20	51-101774-51
20	Stk	Fan Motor (on or after W1017)	51-101774-34	51-101774-51	51-101774-12		51-101774-52	51-101774-51
21	Stk	Fan Blade	70-101323-28	70-101323-30	70-102345-15		70-102011-12	70-101323-30
22	Stk	Contactora	42-102664-14	42-102664-05	42-102664-10		42-102664-14	42-102664-14
23		Capacitor	See Compressor Group					
23a		Capacitor Strap	AE-104562-01	AE-104562-01	AE-104562-01		AE-104562-01	AE-104562-01
25		Crankcase Heater	See Compressor Group					
26		Grounding Lug	45-19000-01	45-19000-01	45-19000-01		45-19000-01	45-19000-01
		Low Ambient Control	See Accessories Group					
27	Stk	Low Pressure Control (Design Series 'B')	47-103670-08	47-103670-08	47-103670-08		47-103670-08	47-103670-08
27a		Valve Body - Low Pressure Control	61-18542-01	61-18542-01	61-18542-01		61-18542-01	61-18542-01
28	Stk	High Pressure Control (Design Series 'B')	47-102290-01	47-102290-01	47-102290-01		47-102290-01	47-102290-01

No.	Notes	MODEL COOLING CAPACITY VARIATION	RA14 18 WJ1NA/B	RA14 24 WJ1NA/B	RA14 30 WJ1NA/B	RA14 36 WJ1NA/B	RA14 42 WJ1NA/B		
<b>ELECTRICAL/FAN GROUP</b>									
20	Stk	Fan Motor (before W1017)	51-101774-21	51-101774-23	51-102008-17	51-102008-20	51-101774-51		
20	Stk	Fan Motor (on or after W1017)	51-101774-21	51-101774-23	51-102008-17	51-101774-52	51-101774-51		
21	Stk	Fan Blade	70-101323-24	70-101323-37	70-101323-25	70-102011-12	70-101323-30		
22	Stk	Contactora	42-102664-05	42-102664-05	42-102664-05	42-102664-05	42-102664-05		
23		Capacitor	See Compressor Group						
23a		Capacitor Strap	AE-104562-01	AE-104562-01	AE-104562-01	AE-104562-01	AE-104562-01		
25		Crankcase Heater	See Compressor Group						
26		Grounding Lug	45-19000-01	45-19000-01	45-19000-01	45-19000-01	45-19000-01		
		Low Ambient Control	See Accessories Group						
27	Stk	Low Pressure Control (Design Series 'B')	47-103670-08	47-103670-08	47-103670-08	47-103670-08	47-103670-08		
27a		Valve Body - Low Pressure Control	61-18542-01	61-18542-01	61-18542-01	61-18542-01	61-18542-01		
28	Stk	High Pressure Control (Design Series 'B')	47-102290-01	47-102290-01	47-102290-01	47-102290-01	47-102290-01		

No.	Notes	MODEL COOLING CAPACITY VARIATION	RA14 42 XC1NB		RA14 24 XJ1NA/B	RA14 30 XJ1NA/B	RA14 42 XJ1NA/B		
<b>ELECTRICAL/FAN GROUP</b>									
20	Stk	Fan Motor	51-102728-20		51-101774-52	51-102870-08	51-102728-20		
21	Stk	Fan Blade	70-101323-28		70-102011-09	70-101323-39	70-101323-28		
22	Stk	Contactora	42-102664-14		42-102664-05	42-102664-05	42-102664-05		
23		Capacitor	See Compressor Group						
23a		Capacitor Strap	N/A		AE-104562-01	AE-104562-01	AE-104562-01		
25		Crankcase Heater	See Compressor Group						
26		Grounding Lug	45-19000-01		45-19000-01	45-19000-01	45-19000-01		
		Low Ambient Control	See Accessories Group						
27	Stk	Low Pressure Control (Design Series 'B')	47-103670-08		47-103670-08	47-103670-08	47-103670-08		
27a		Valve Body - Low Pressure Control	61-18542-01		61-18542-01	61-18542-01	61-18542-01		
28	Stk	High Pressure Control (Design Series 'B')	47-102290-01		47-102290-01	47-102290-01	47-102290-01		

No.	Notes	MODEL COOLING CAPACITY VARIATION	RA14 36 AC1NB	RA14 42 AC1NB	RA14 48 AC1NB	RA14 60 AC1NB			
<b>COIL GROUP</b>									
30	Stk	Condenser Coil	AS-104916-03	AS-104917-03	AS-104918-03	AS-104919-03			
31		Service Valve - Suction	61-104914-03	61-104914-04	61-104914-04	61-104914-04			
32		Service Valve - Liquid	61-104914-01	61-104914-01	61-104914-01	61-104914-01			
33a		Valve Core	61-18551-01	61-18551-01	61-18551-01	61-18551-01			
33b		Valve Cap	83-100635-01	83-100635-01	83-100635-01	83-100635-01			
27	Stk	Low Pressure Control	See Electrical Group						
28	Stk	High Pressure Control	See Electrical Group						
	Stk	Filter Drier	83-22755-12	83-22755-12	83-22755-12	83-22755-12			

No.	Notes	MODEL COOLING CAPACITY VARIATION	RA14 36 AD1NB	RA14 42 AD1NB	RA14 48 AD1NB	RA14 60 AD1NB			
<b>COIL GROUP</b>									
30	Stk	Condenser Coil	AS-104916-03	AS-104917-03	AS-104918-03	AS-104919-03			
31		Service Valve - Suction	61-104914-03	61-104914-04	61-104914-04	61-104914-04			
32		Service Valve - Liquid	61-104914-05	61-104914-05	61-104914-05	61-104914-05			
33a		Valve Core	61-18551-01	61-18551-01	61-18551-01	61-18551-01			
33b		Valve Cap	83-100635-01	83-100635-01	83-100635-01	83-100635-01			
27	Stk	Low Pressure Control	See Electrical Group						
28	Stk	High Pressure Control	See Electrical Group						
	Stk	Filter Drier	83-22755-06	83-22755-06	83-22755-06	83-22755-06			

No.	Notes	MODEL COOLING CAPACITY VARIATION	RA14 18 AJ1NA/B	RA14 24 AJ1NA/B	RA14 30 AJ1NA/B	RA14 36 AJ1NA/B	RA14 42 AJ1NA/B	RA14 48 AJ1NA/B	
<b>COIL GROUP</b>									
30	Stk	Condenser Coil	AS-104738-03	AS-104750-03	AS-104889-03	AS-104916-03	AS-104917-03	AS-104918-03	
31		Service Valve - Suction	61-104914-03	61-104914-03	61-104914-03	61-104914-03	61-104914-04	61-104914-04	
32		Service Valve - Liquid	61-104914-01	61-104914-01	61-104914-01	61-104914-01	61-104914-01	61-104914-01	
33a		Valve Core	61-18551-01	61-18551-01	61-18551-01	61-18551-01	61-18551-01	61-18551-01	
33b		Valve Cap	83-100635-01	83-100635-01	83-100635-01	83-100635-01	83-100635-01	83-100635-01	
27	Stk	Low Pressure Control	See Electrical Group						
28	Stk	High Pressure Control	See Electrical Group						
	Stk	Filter Drier	83-22755-12	83-22755-12	83-22755-12	83-22755-12	83-22755-12	83-22755-12	

No.	Notes	MODEL COOLING CAPACITY VARIATION	RA14 60 AJ1NA/B		RA14 42 BC1NB	RA14 60 BC1NB			
<b>COIL GROUP</b>									
30	Stk	Condenser Coil	AS-104919-03		AS-105512-03	AS-105373-03			
31		Service Valve - Suction	61-104914-04		61-105049-04	61-104914-04			
32		Service Valve - Liquid	61-104914-01		61-104914-05	61-104914-05			
33a		Valve Core	61-18551-01		61-18551-01	61-18551-01			
33b		Valve Cap	83-100635-01		83-100635-01	83-100635-01			
27	Stk	Low Pressure Control	See Electrical Group						
28	Stk	High Pressure Control	See Electrical Group						
	Stk	Filter Drier	83-22755-12		83-22755-06	83-22755-06			

No.	Notes	MODEL COOLING CAPACITY VARIATION	RA14 24 BJ1NA/B	RA14 42 BJ1NA/B	RA14 60 BJ1NA/B		RA14 42 CC1NB	RA14 60 CC1NB
<b>COIL GROUP</b>								
30	Stk	Condenser Coil	AS-105679-03	AS-105512-03	AS-105373-03		AS-105634-03	AS-105371-03
31		Service Valve - Suction	61-104914-03	61-105049-04	61-104914-04		61-104914-04	61-104914-04
32		Service Valve - Liquid	61-104914-05	61-104914-05	61-104914-05		61-104914-05	61-104914-05
33a		Valve Core	61-18551-01	61-18551-01	61-18551-01		61-18551-01	61-18551-01
33b		Valve Cap	83-100635-01	83-100635-01	83-100635-01		83-100635-01	83-100635-01
27	Stk	Low Pressure Control	See Electrical Group					
28	Stk	High Pressure Control	See Electrical Group					
	Stk	Filter Drier	83-22755-06	83-22755-06	83-22755-06		83-22755-06	83-22755-06

No.	Notes	MODEL COOLING CAPACITY VARIATION	RA14 60 CD1NB	RA14 42 CJ1NA/B	RA14 60 CJ1NA/B		RA14 36 WC1NB	RA14 42 WC1NB
<b>COIL GROUP</b>								
30	Stk	Condenser Coil	AS-105371-03	AS-105634-03	AS-105371-03		AS-105512-03	AS-105634-03
31		Service Valve - Suction	61-104914-04	61-104914-04	61-104914-04		61-104914-03	61-104914-04
32		Service Valve - Liquid	61-104914-05	61-104914-05	61-104914-05		61-104914-05	61-104914-05
33a		Valve Core	61-18551-01	61-18551-01	61-18551-01		61-18551-01	61-18551-01
33b		Valve Cap	83-100635-01	83-100635-01	83-100635-01		83-100635-01	83-100635-01
27	Stk	Low Pressure Control	See Electrical Group					
28	Stk	High Pressure Control	See Electrical Group					
	Stk	Filter Drier	83-22755-06	83-22755-06	83-22755-06		83-22755-06	83-22755-06

No.	Notes	MODEL COOLING CAPACITY VARIATION	RA14 18 WJ1NA/B	RA14 24 WJ1NA/B	RA14 30 WJ1NA/B	RA14 36 WJ1NA/B	RA14 42 WJ1NA/B	
<b>COIL GROUP</b>								
30	Stk	Condenser Coil	AS-105684-03	AS-105679-03	AS-105654-03	AS-105512-03	AS-105634-03	
31		Service Valve - Suction	61-104914-03	61-104914-03	61-104914-03	61-104914-03	61-104914-04	
32		Service Valve - Liquid	61-104914-05	61-104914-05	61-104914-05	61-104914-05	61-104914-05	
33a		Valve Core	61-18551-01	61-18551-01	61-18551-01	61-18551-01	61-18551-01	
33b		Valve Cap	83-100635-01	83-100635-01	83-100635-01	83-100635-01	83-100635-01	
27	Stk	Low Pressure Control	See Electrical Group					
28	Stk	High Pressure Control	See Electrical Group					
	Stk	Filter Drier	83-22755-06	83-22755-06	83-22755-06	83-22755-06	83-22755-06	

No.	Notes	MODEL COOLING CAPACITY VARIATION	RA14 42 XC1NB		RA14 24 XJ1NA/B	RA14 30 XJ1NA/B	RA14 42 XJ1NA/B	
<b>COIL GROUP</b>								
30	Stk	Condenser Coil	AS-105370-03		AS-105364-03	AS-104917-03	AS-105370-03	
31		Service Valve - Suction	61-104914-04		61-104914-03	61-104914-03	61-104914-04	
32		Service Valve - Liquid	61-104914-05		61-104914-05	61-104914-05	61-104914-05	
33a		Valve Core	61-18551-01		61-18551-01	61-18551-01	61-18551-01	
33b		Valve Cap	83-100635-01		83-100635-01	83-100635-01	83-100635-01	
27	Stk	Low Pressure Control	See Electrical Group					
28	Stk	High Pressure Control	See Electrical Group					
	Stk	Filter Drier	83-22755-06		83-22755-06	83-22755-06	83-22755-06	

No.	Notes	MODEL COOLING CAPACITY VARIATION	RA14 36 AC1NB	RA14 42 AC1NB	RA14 48 AC1NB	RA14 60 AC1NB		
<b>COMPRESSOR GROUP</b>								
		<b>Compressor ID:</b>	<b>9022</b>	<b>9023</b>	<b>9024</b>	<b>9025</b>		
40	Stk	Compressor	55-102045-90S	55-102045-19S	55-102045-08S	55-102045-130S		
		Compressor Grommet (4)	56-18518-04	56-18518-06	56-18518-06	56-18518-06		
		Compressor Bolt (4)	63-20072-07	63-20072-07	63-20072-07	63-20072-07		
23	Stk	Capacitor - Compressor/Fan	N/A	N/A	N/A	N/A		
23		Capacitor - Fan	43-101666-65	43-101666-62	43-101666-62	43-101666-62		
	Stk	Compressor Wiring Harness (Molded Plug)	45-100834-80	45-100834-80	45-100834-80	45-100834-80		
25		Crankcase Heater	See Accessories			44-101884-13		
		Filter Drier	See Coil Group					

No.	Notes	MODEL COOLING CAPACITY VARIATION	RA14 36 AD1NB	RA14 42 AD1NB	RA14 48 AD1NB	RA14 60 AD1NB		
<b>COMPRESSOR GROUP</b>								
		<b>Compressor ID:</b>	<b>9026</b>	<b>9027</b>	<b>9028</b>	<b>9029</b>		
40	Stk	Compressor	55-102045-91S	55-102045-18S	55-102045-07S	55-102045-131S		
		Compressor Grommet (4)	56-18518-04	56-18518-06	56-18518-06	56-18518-06		
		Compressor Bolt (4)	63-20072-07	63-20072-07	63-20072-07	63-20072-07		
23	Stk	Capacitor - Fan	See Electrical Group			44-101884-06		
	Stk	Compressor Wiring Harness (Molded Plug)	45-100834-80	45-100834-80	45-100834-80	45-100834-80		
25		Crankcase Heater	See Accessories			44-101884-06		
		Filter Drier	See Coil Group					

No.	Notes	MODEL COOLING CAPACITY VARIATION	RA14 18 AJ1NA/B	RA14 24 AJ1NA/B	RA14 30 AJ1NA/B	RA14 36 AJ1NA/B	RA14 42 AJ1NA/B	RA14 48 AJ1NA/B
<b>COMPRESSOR GROUP</b>								
		<b>Compressor ID:</b>	<b>9086</b>	<b>8918</b>	<b>8919</b>	<b>8920</b>	<b>8921</b>	<b>8922</b>
40	Stk	Compressor	55-102045-122S	55-102045-97S	55-102045-31S	55-102045-66S	55-102045-15S	55-102045-06S
		Compressor Grommet (4)	56-18518-04	56-18518-04	56-18518-04	56-18518-04	56-18518-06	56-18518-06
		Compressor Bolt (4)	63-20072-07	63-20072-07	63-20072-07	63-20072-07	63-20072-07	63-20072-07
23	Stk	Capacitor - Compressor/Fan	43-101665-60	43-101665-06	43-101665-10	43-101665-13	43-101665-42	43-101665-42
23	Stk	Capacitor - Fan	N/A	N/A	N/A	N/A	N/A	N/A
	Stk	Compressor Wiring Harness (Molded Plug)	45-100834-80	45-100834-80	45-100834-80	45-100834-80	45-100834-80	45-100834-80
25		Crankcase Heater	See Accessories					
		Filter Drier	See Coil Group					
		<b>Compressor ID:</b>	<b>8910</b>					
40	Stk	Compressor	55-102045-96S					
		Compressor Grommet (4)	56-18518-04					
		Compressor Bolt (4)	63-20072-07					
23	Stk	Capacitor - Compressor/Fan	43-101665-60					
23	Stk	Capacitor - Fan	N/A					
	Stk	Compressor Wiring Harness (Molded Plug)	45-100834-80					
25		Crankcase Heater	See Accessories					
		Filter Drier	See Coil Group					

No.	Notes	MODEL COOLING CAPACITY VARIATION	RA14 60 AJ1NA/B		RA14 42 BC1NB	RA14 60 BC1NB			
<b>COMPRESSOR GROUP</b>									
		<b>Compressor ID:</b>	<b>8923</b>		<b>9124</b>	<b>9533</b>			
40	Stk	Compressor	55-102045-101S		55-102045-19S	55-102045-130S			
		Compressor Grommet (4)	56-18518-06		56-18518-06	56-18518-06			
		Compressor Bolt (4)	63-20072-07		63-20072-07	63-20072-07			
23	Stk	Capacitor - Compressor/Fan	43-101665-59			N/A			
23		Capacitor - Fan	N/A		43-101666-65	N/A			
	Stk	Compressor Wiring Harness (Molded Plug)	45-100834-80		45-100834-80	45-100834-80			
25		Crankcase Heater	44-101884-13		See Accessories	44-103663-13			
		Filter Drier	See Coil Group						

No.	Notes	MODEL COOLING CAPACITY VARIATION	RA14 24 BJ1NA/B	RA14 42 BJ1NA/B	RA14 60 BJ1NA/B		RA14 42 CC1NB	RA14 60 CC1NB	
<b>COMPRESSOR GROUP</b>									
		<b>Compressor ID:</b>	<b>9539</b>	<b>9123</b>	<b>9532</b>		<b>9531</b>	<b>9570</b>	
40	Stk	Compressor	55-102045-148	55-102045-15S	55-102045-101S		55-102045-145S	55-107225-04	
		Compressor Grommet (4)	56-18518-04	56-18518-06	56-18518-06		56-18518-06	56-18518-04	
		Compressor Bolt (4)	63-20072-07	63-20072-07	63-20072-07		63-20072-07	63-20072-07	
23	Stk	Capacitor - Compressor/Fan	43-101665-06	43-101665-13	43-101666-69		43-101666-60	N/A	
23	Stk	Capacitor - Fan	N/A	N/A	N/A		N/A	43-101666-65	
	Stk	Compressor Wiring Harness (Molded Plug)	45-100834-80	45-100834-80	45-100834-80		45-100834-80	45-107231-02	
		<b>Compressor ID:</b>						<b>9573</b>	
40	Stk	Compressor						55-102045-117	
		Compressor Grommet (4)						56-18518-06	
		Compressor Bolt (4)						63-20072-07	
23	Stk	Capacitor - Compressor/Fan						43-101666-65	
	Stk	Compressor Wiring Harness (Molded Plug)						45-100834-03	
25		Crankcase Heater	See Accessories		44-103663-13		See Accessories	44-103663-13	
		Filter Drier	See Coil Group						

No.	Notes	MODEL COOLING CAPACITY VARIATION	RA14 60 CD1NB	RA14 42 CJ1NA/B	RA14 60 CJ1NA/B		RA14 36 WC1NB	RA14 42 WC1NB	
<b>COMPRESSOR GROUP</b>									
		<b>Compressor ID:</b>	<b>9571</b>	<b>9530</b>	<b>9569</b>		<b>9091</b>	<b>9103</b>	
40	Stk	Compressor	55-107225-05	55-102045-144S	55-107225-03		55-102045-138S	55-102045-145S	
		Compressor Grommet (4)	56-18518-04	56-18518-06	56-18518-04		56-18518-04	56-18518-06	
		Compressor Bolt (4)	63-20072-07	63-20072-07	63-20072-07		63-20072-07	63-20072-07	
23	Stk	Capacitor - Compressor/Fan	N/A	43-101665-42	N/A		N/A	N/A	
23		Capacitor - Fan	43-101666-65	N/A	43-101665-59		43-101666-58	43-101666-60	
	Stk	Compressor Wiring Harness (Molded Plug)	45-107231-02	45-100834-80	45-107231-02		45-100834-80	45-100834-80	
		<b>Compressor ID:</b>	<b>9574</b>		<b>9572</b>				
40	Stk	Compressor	55-102045-118		55-102045-102				
		Compressor Grommet (4)	56-18518-06		56-18518-06				
		Compressor Bolt (4)	63-20072-07		63-20072-07				
23	Stk	Capacitor - Compressor/Fan	43-101666-65		43-101665-59				
	Stk	Compressor Wiring Harness (Molded Plug)	45-100834-03		45-100834-01				
25		Crankcase Heater	44-101884-06	See Accessories	44-103663-13		See Accessories		
		Filter Drier	See Coil Group						

No.	Notes	MODEL COOLING CAPACITY VARIATION	RA14 18 WJ1NA/B	RA14 24 WJ1NA/B	RA14 30 WJ1NA/B	RA14 36 WJ1NA/B	RA14 42 WJ1NA/B		
<b>COMPRESSOR GROUP</b>									
		<b>Compressor ID:</b>	<b>9111</b>	<b>9110</b>	<b>9108</b>	<b>9090</b>	<b>9102</b>		
40	Stk	Compressor	55-102045-96	55-102045-148S	55-102045-143S	55-102045-103S	55-102045-144S		
		Compressor Grommet (4)	56-18518-04	56-18518-04	56-18518-04	56-18518-04	56-18518-06		
		Compressor Bolt (4)	63-20072-07	63-20072-07	63-20072-07	63-20072-07	63-20072-07		
23	Stk	Capacitor - Compressor/Fan	43-101665-60	43-101665-06	43-101665-10	43-101665-13	43-101665-42		
23	Stk	Capacitor - Fan	N/A	N/A	N/A	N/A	N/A		
	Stk	Compressor Wiring Harness (Molded Plug)	45-100834-80	45-100834-80	45-100834-80	45-100834-80	45-100834-80		
25		Crankcase Heater	See Accessories						
		Filter Drier	See Coil Group						

No.	Notes	MODEL COOLING CAPACITY VARIATION	RA14 42 XC1NB		RA14 24 XJ1NA/B	RA14 30 XJ1NA/B	RA14 42 XJ1NA/B	
<b>COMPRESSOR GROUP</b>								
		<b>Compressor ID:</b>	<b>9543</b>		<b>9540</b>	<b>9541</b>	<b>9542</b>	
40	Stk	Compressor	55-102045-145		55-102045-104	55-102045-143	55-102045-144	
		Compressor Grommet (4)	56-18518-06		56-18518-04	56-18518-04	56-18518-06	
		Compressor Bolt (4)	63-20072-07		63-20072-07	63-20072-07	63-20072-07	
23	Stk	Capacitor - Compressor/Fan	N/A		43-101665-10	43-101666-25	43-101666-68	
23		Capacitor - Fan	N/A		N/A	N/A	N/A	
	Stk	Compressor Wiring Harness (Molded Plug)	45-100834-80		45-100834-80	45-100834-80	45-100834-80	
25		Crankcase Heater			See Accessories			
		Filter Drier			See Coil Group			

No.	Notes	MODEL COOLING CAPACITY VARIATION	RA14 36 AC1NB	RA14 42 AC1NB	RA14 48 AC1NB	RA14 60 AC1NB		
<b>ACCESSORIES</b>								
		Low Ambient Control	RXAD-A08	RXAD-A08	RXAD-A08	RXAD-A08		
		Compressor Crankcase Heater	44-17402-44	44-17402-45	44-17402-45	See Compressor		
		Compressor Sound Cover	68-23427-26	68-23427-25	68-23427-25	68-23427-25		
		Compressor Time Delay	RXMD-B01	RXMD-B01	RXMD-B01	RXMD-B01		
		Low Pressure Control	RXAC-A07	RXAC-A07	RXAC-A07	RXAC-A07		
		High Pressure Control	RXAB-A07	RXAB-A07	RXAB-A07	RXAB-A07		
		Compressor Hard Start Kit	N/A	N/A	SK-A1	SK-A1		

No.	Notes	MODEL COOLING CAPACITY VARIATION	RA14 36 AD1NB	RA14 42 AD1NB	RA14 48 AD1NB	RA14 60 AD1NB		
<b>ACCESSORIES</b>								
		Low Ambient Control	RXAD-A08	RXAD-A08	RXAD-A08	RXAD-A08		
		Compressor Crankcase Heater	442040	44-17402-46	44-17402-46	See Compressor		
		Compressor Sound Cover	68-23427-25	68-23427-25	68-23427-25	68-23427-25		
		Compressor Time Delay	RXMD-B01	RXMD-B01	RXMD-B01	RXMD-B01		
		Low Pressure Control	RXAC-A07	RXAC-A07	RXAC-A07	RXAC-A07		
		High Pressure Control	RXAB-A07	RXAB-A07	RXAB-A07	RXAB-A07		
		Compressor Hard Start Kit	SK-A1	SK-A1	SK-A1	SK-A1		

No.	Notes	MODEL COOLING CAPACITY VARIATION	RA14 18 AJ1NA/B	RA14 24 AJ1NA/B	RA14 30 AJ1NA/B	RA14 36 AJ1NA/B	RA14 42 AJ1NA/B	RA14 48 AJ1NA/B
<b>ACCESSORIES</b>								
		Low Ambient Control	RXAD-A08	RXAD-A08	RXAD-A08	RXAD-A08	RXAD-A08	RXAD-A08
		Compressor Crankcase Heater	44-17402-44	44-17402-44	44-17402-44	44-17402-44	44-17402-45	44-17402-45
		Compressor Sound Cover	68-23427-26	68-23427-26	68-23427-26	68-23427-26	68-23427-25	68-23427-25
		Compressor Time Delay	RXMD-B01	RXMD-B01	RXMD-B01	RXMD-B01	RXMD-B01	RXMD-B01
		Low Pressure Control	RXAC-A07	RXAC-A07	RXAC-A07	RXAC-A07	RXAC-A07	RXAC-A07
		High Pressure Control	RXAB-A07	RXAB-A07	RXAB-A07	RXAB-A07	RXAB-A07	RXAB-A07
		Compressor Hard Start Kit	SK-A1	SK-A1	SK-A1	SK-A1	SK-A1	SK-A1

No.	Notes	MODEL COOLING CAPACITY VARIATION	RA14 60 AJ1NA/B		RA14 42 BC1NB	RA14 60 BC1NB		
<b>ACCESSORIES</b>								
		Low Ambient Control	RXAD-A08		RXAD-A08	RXAD-A08		
		Compressor Crankcase Heater	See Compressor		44-17402-45	See Compressor		
		Compressor Sound Cover	68-23427-25		68-23427-25	68-23427-25		
		Compressor Time Delay	RXMD-B01		RXMD-B01	RXMD-B01		
		Low Pressure Control	RXAC-A07		RXAC-A07	RXAC-A07		
		High Pressure Control	RXAB-A07		RXAB-A07	RXAB-A07		
		Compressor Hard Start Kit	SK-A1		SK-A1	SK-A1		

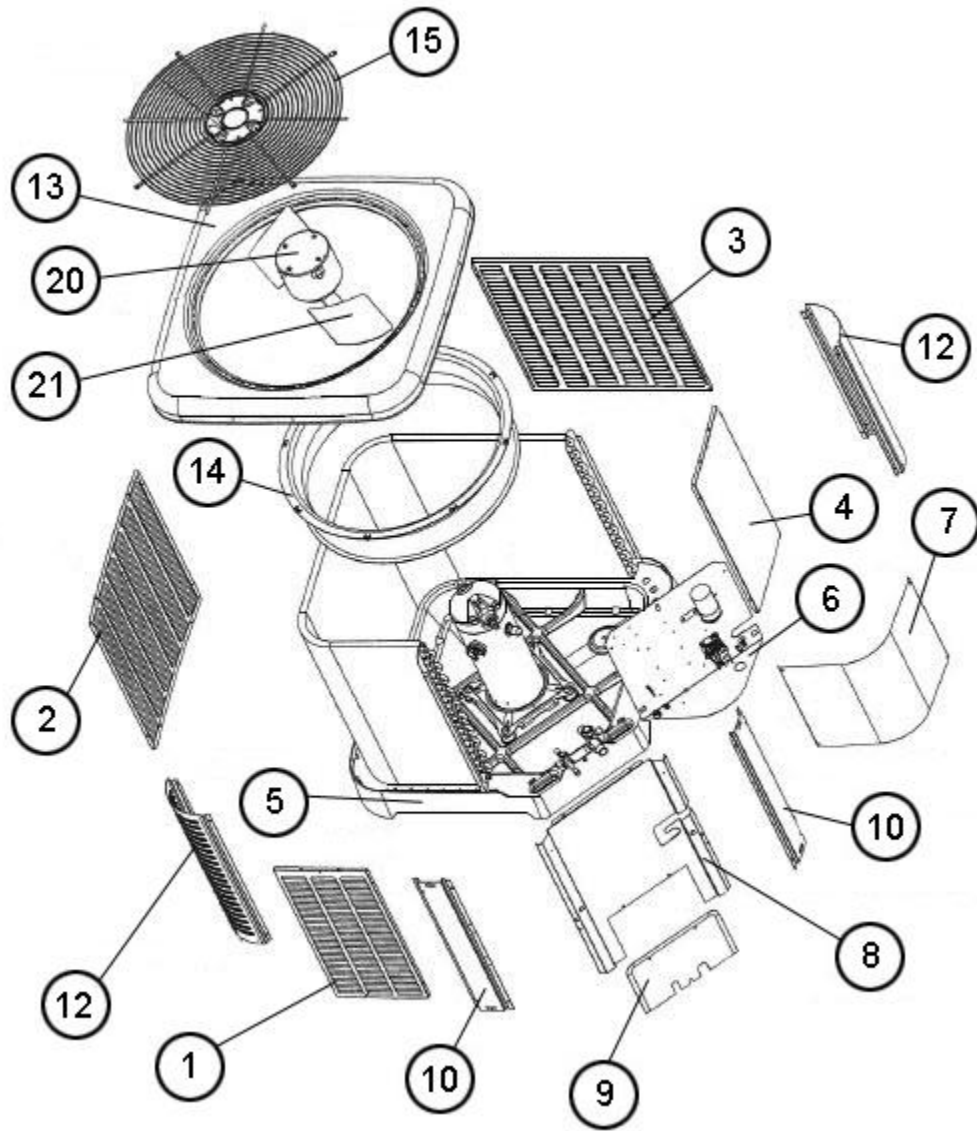
No.	Notes	MODEL COOLING CAPACITY VARIATION	RA14 24 BJ1NA/B	RA14 42 BJ1NA/B	RA14 60 BJ1NA/B		RA14 42 CC1NB	RA14 60 CC1NB
<b>ACCESSORIES</b>								
		Low Ambient Control	RXAD-A08	RXAD-A08	RXAD-A08		RXAD-A08	RXAD-A08
		Compressor Crankcase Heater	44-17402-44	44-17402-45	See Compressor		44-17402-45	See Compressor
		Compressor Sound Cover	68-23427-26	68-23427-25	68-23427-25		68-23427-25	68-23427-25
		Compressor Time Delay	RXMD-B01	RXMD-B01	RXMD-B01		RXMD-B01	RXMD-B01
		Low Pressure Control	RXAC-A07	RXAC-A07	RXAC-A07		RXAC-A07	RXAC-A07
		High Pressure Control	RXAB-A07	RXAB-A07	RXAB-A07		RXAB-A07	RXAB-A07
		Compressor Hard Start Kit	SK-A1	SK-A1	SK-A1		SK-A1	SK-A1



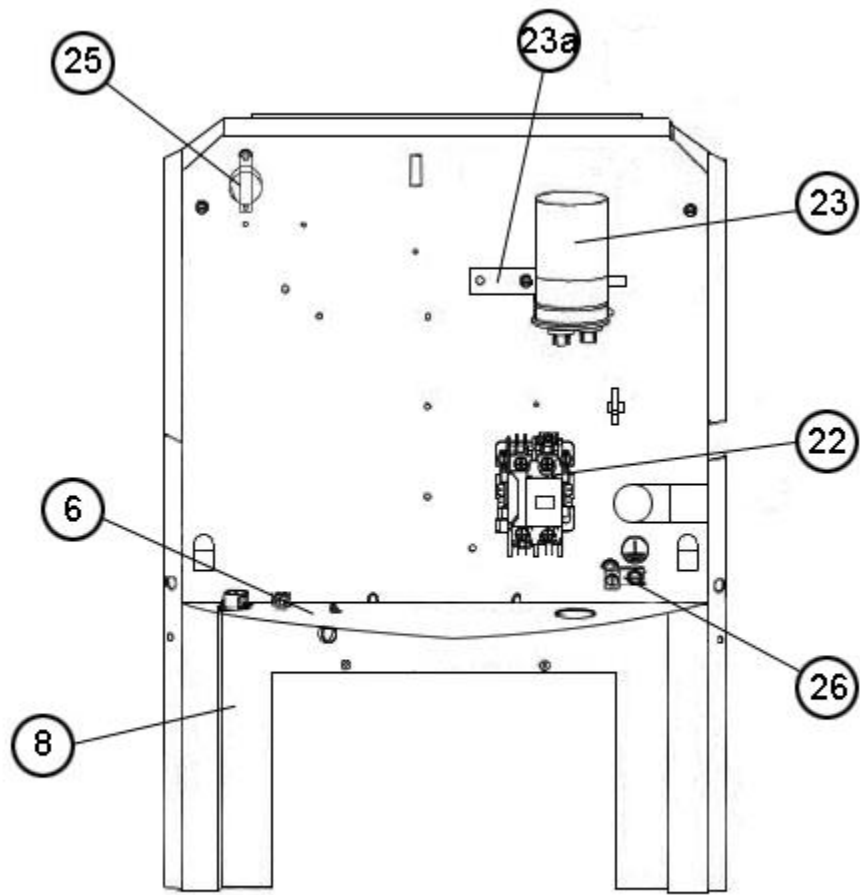
No.	Notes	MODEL COOLING CAPACITY VARIATION	RA14 60 CD1NB	RA14 42 CJ1NA/B	RA14 60 CJ1NA/B		RA14 36 WC1NB	RA14 42 WC1NB
<b>ACCESSORIES</b>								
		Low Ambient Control	RXAD-A08	RXAD-A08	RXAD-A08		RXAD-A08	RXAD-A08
		Compressor Crankcase Heater	See Compressor	44-17402-45	See Compressor		44-17402-44	44-17402-45
		Compressor Sound Cover	68-23427-25	68-23427-25	68-23427-25		68-23427-26	68-23427-25
		Compressor Time Delay	RXMD-B01	RXMD-B01	RXMD-B01		RXMD-B01	RXMD-B01
		Low Pressure Control	RXAC-A07	RXAC-A07	RXAC-A07		RXAC-A07	RXAC-A07
		High Pressure Control	RXAB-A07	RXAB-A07	RXAB-A07		RXAB-A07	RXAB-A07
		Compressor Hard Start Kit	SK-A1	SK-A1	SK-A1		N/A	N/A

No.	Notes	MODEL COOLING CAPACITY VARIATION	RA14 18 WJ1NA/B	RA14 24 WJ1NA/B	RA14 30 WJ1NA/B	RA14 36 WJ1NA/B	RA14 42 WJ1NA/B	
<b>ACCESSORIES</b>								
		Low Ambient Control	RXAD-A08	RXAD-A08	RXAD-A08	RXAD-A08	RXAD-A08	
		Compressor Crankcase Heater	44-17402-44	44-17402-44	44-17402-44	44-17402-44	44-17402-45	
		Compressor Sound Cover	68-23427-26	68-23427-26	68-23427-26	68-23427-26	68-23427-25	
		Compressor Time Delay	RXMD-B01	RXMD-B01	RXMD-B01	RXMD-B01	RXMD-B01	
		Low Pressure Control	RXAC-A07	RXAC-A07	RXAC-A07	RXAC-A07	RXAC-A07	
		High Pressure Control	RXAB-A07	RXAB-A07	RXAB-A07	RXAB-A07	RXAB-A07	
		Compressor Hard Start Kit	SK-A1	SK-A1	SK-A1	SK-A1	SK-A1	

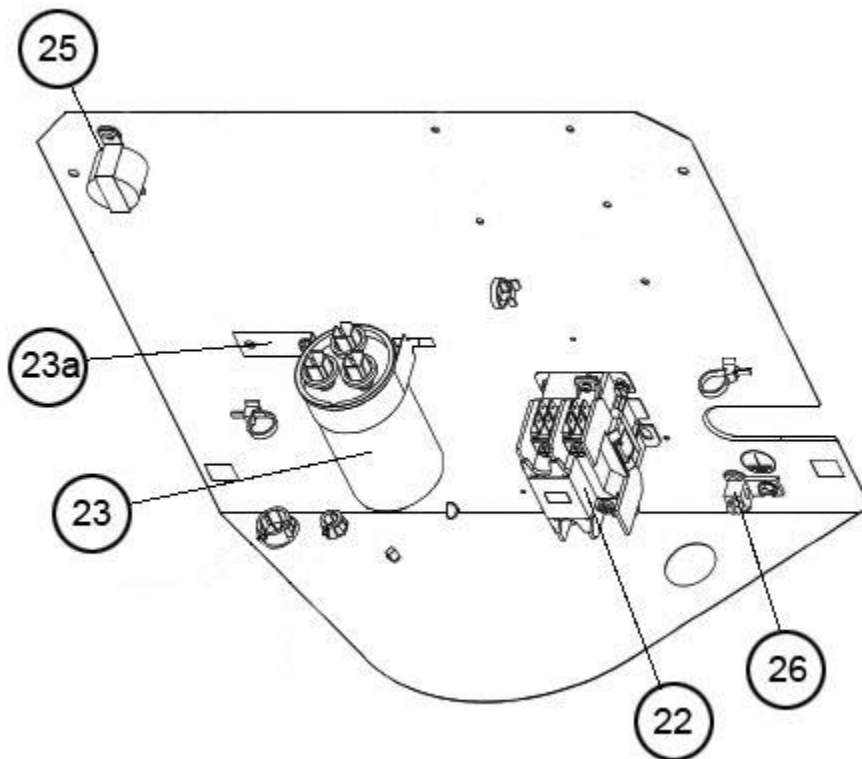
No.	Notes	MODEL COOLING CAPACITY VARIATION	RA14 42 XC1NB		RA14 24 XJ1NA/B	RA14 30 XJ1NA/B	RA14 42 XJ1NA/B	
<b>ACCESSORIES</b>								
		Low Ambient Control	RXAD-A08		RXAD-A08	RXAD-A08	RXAD-A08	
		Compressor Crankcase Heater	44-17402-45		44-17402-44	44-17402-44	44-17402-45	
		Compressor Sound Cover	68-23427-25		68-23427-26	68-23427-26	68-23427-25	
		Compressor Time Delay	RXMD-B01		RXMD-B01	RXMD-B01	RXMD-B01	
		Low Pressure Control	RXAC-A07		RXAC-A07	RXAC-A07	RXAC-A07	
		High Pressure Control	RXAB-A07		RXAB-A07	RXAB-A07	RXAB-A07	
		Compressor Hard Start Kit	N/A		SK-A1	SK-A1	SK-A1	



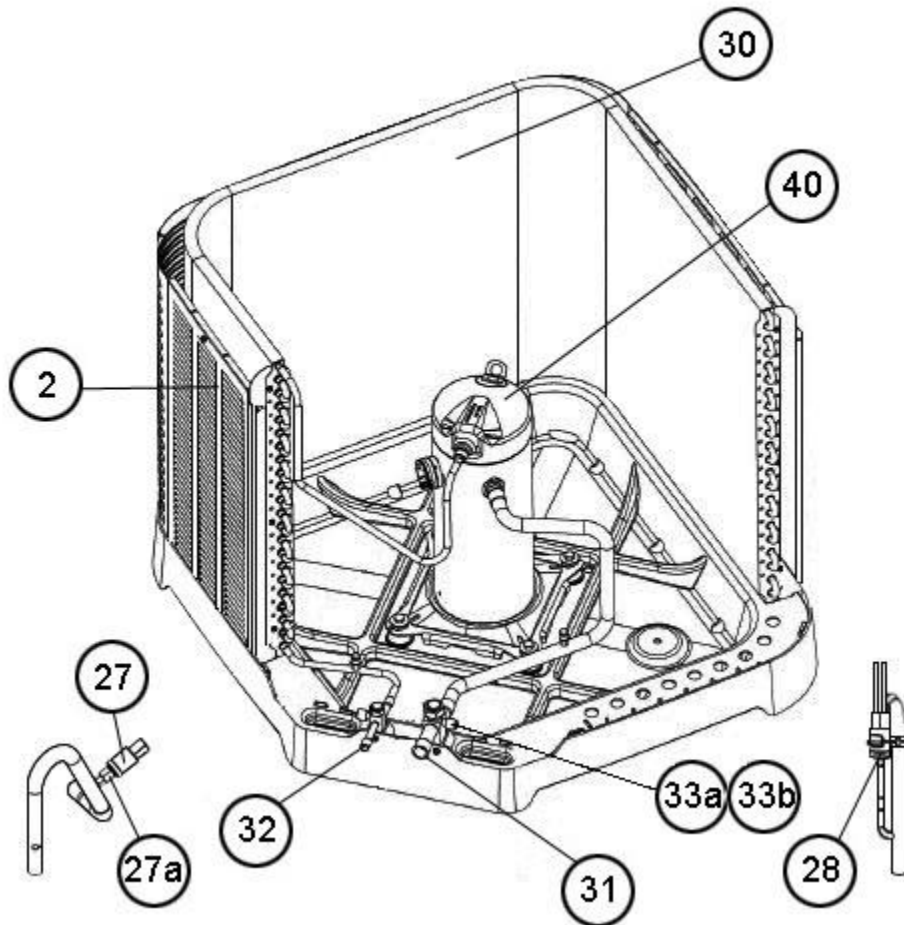
Exploded View



Control Box (1)



Control Box (2)



Valve Mounting, Compressor

# NOTES

Stk It is recommended that stock be maintained for this part.

N/A Not Applicable

- 1 Production has utilized both Three-phase and Single-phase fan motors on some units. For these, it is necessary to verify motor type before ordering.