



RH2T

Parts List
28-June-2023



*This parts list is current as of the above revision date.
See <http://www.rheempartslists.net/92-42800-RH2T.pdf> for the current revision.*

Air Handlers

Table of Contents

Model Explanation	Page 3
Parts Numbers	
Panels - Miscellaneous (1)	Page 4
Panels - Miscellaneous (2)	Page 5
Panels - Miscellaneous (3)	Page 6
Electrical Group (1)	Page 7
Electrical Group (2)	Page 8
Blower Group	Page 9
Coil Parts	Page 10
Heater Kits	Page 11
Drawings/Photographs	
Exploded View	Page 12
Blower Assembly	Page 13
Notes/Disclaimer	Page 14

MODEL NUMBER EXPLANATION

R	H	2	T	2	4	2	1	M	T	A	N	J	A	***
1	2	3	4	5		6		7	8	9	10	11	12	13

- | | |
|---|--|
| <p>(1) BRAND</p> <p>(2) AIR HANDLER</p> <p>(3) STAGE OF AIRFLOW
2 = Two Stage</p> <p>(4) MOTOR TYPE
T = Constant Torque</p> <p>(5) CAPACITY (BTU/HR)
18 = 18,000 BTU/HR
24 = 24,000 BTU/HR
30 = 30,000 BTU/HR
36 = 36,000 BTU/HR
42 = 42,000 BTU/HR
48 = 48,000 BTU/HR
60 = 60,000 BTU/HR</p> <p>(6) WIDTH
17 = 17.5 in. (600 - 1200 CFM)
21 = 21 in. (800 - 1600 CFM)
24 = 24.5 in. (1400 - 1800 CFM)</p> <p>(7) COIL SIZE
S = Standard
M = Medium
H = High</p> | <p>(8) METERING DEVICE
T = TEV
E = EEV
P = Piston</p> <p>(9) MAJOR SERIES
A = First</p> <p>(10) CONTROLS
C = Communicating
N = Non-Communicating</p> <p>(11) VOLTAGE
A = 115/1/60
D = 460/3/60
J = 208-230/1/60
T = 220-240/1/50</p> <p>(12) MINOR SERIES
A = First</p> <p>(13) OPTION CODE
Blank = None</p> |
|---|--|

SERIAL NUMBER EXPLANATION

W	0	7	0	9	9	9	9	9	9
1	2		3	4					

- 1** **PRODUCTION LOCATION**
W = Nuevo Laredo (West)
- 2** **WEEK OF PRODUCTION**
- 3** **YEAR OF PRODUCTION**
- 4** **PRODUCTION NUMBER**

No.	Notes	MODEL	RH2T	RH2T	RH2T	RH2T
		CAPACITY	24	36	48	60
		CABINET SIZE	21	21	24	24
		COIL SIZE/METERING	MT	MT	MT	ST
		MAJOR SERIES/CONTROLS	AN	AN	AN	AN
		VOLTAGE/MINOR SERIES	JA	JA	JA	JA
PANELS, SHEET METAL, MISCELLANEOUS						
1		Cabinet	N/A	N/A	N/A	N/A
		Insulation - Cabinet	68-101121-02	68-101121-03	68-101121-03	68-101121-04
		Insulation Retainer Rod (2)	45-102868-03	45-102868-03	45-102868-03	45-102868-04
2		Coil Door	AE-100685-33	AE-100685-34	AE-100685-34	AE-100685-36
		Insulation - Coil Door	68-101577-07	68-101577-08	68-101577-08	68-101577-09
3		Top Cover Plate	AE-100686-32	AE-100686-32	AE-100686-32	AE-100686-33
		Insulation - Top Cover Plate	68-101122-02	68-101122-02	68-101122-02	68-101122-03
4		Blower Door	AE-100684-32	AE-100684-32	AE-100684-32	AE-100684-33
		Insulation - Blower Door	68-101576-02	68-101576-02	68-101576-02	68-101576-03
5		Access Panel	AE-101133-31	AE-101133-31	AE-101133-31	AE-101133-31
		Insulation - Access Panel	68-101644-01	68-101644-01	68-101644-01	68-101644-01
		Poron Gasket (Blower & Coil Doors)	68-42246-03	68-42246-03	68-42246-03	68-42246-03
6		Drain Pan - Vertical	See RCH Coil Parts List			
7		Drain Pan - Horizontal	See RCH Coil Parts List			
8		Plate - Block Off	AE-100455-01	AE-100455-01	AE-100455-01	AE-100455-01
9		Cabinet Brace	AE-101134-03	AE-101134-03	AE-101134-03	AE-101134-04
10		Middle Brace	AE-101054-02	AE-101054-02	AE-101054-02	AE-101054-03
13a		Heat Barrier	AE-100683-05	AE-100683-06	AE-100683-06	AE-100683-08
13b		Heat Barrier Side (2)	AE-104241-01	AE-104241-01	AE-104241-01	AE-104241-01
		Duct Flanges (2)	AE-101048-07	AE-101048-07	AE-101048-07	AE-101048-07
		Touch-up Paint - Granite/Steel Gray (Aerosol)	PD523018	PD523018	PD523018	PD523018
		Touch-up Paint - Granite/Steel Gray (Paint Pens)	PD523019	PD523019	PD523019	PD523019

No.	Notes	MODEL	RH2T	RH2T	RH2T	RH2T
		CAPACITY	24	36	48	60
		CABINET SIZE	21	21	21	24
		COIL SIZE/METERING	ME	ME	ME	ME
		MAJOR SERIES/CONTROLS	AC	AC	AC	AC
		VOLTAGE/MINOR SERIES	JA	JA	JA	JA
PANELS, SHEET METAL, MISCELLANEOUS						
1		Cabinet	N/A	N/A	N/A	N/A
		Insulation - Cabinet	68-101121-02	68-101121-03	68-101121-15	68-101121-04
		Insulation Retainer Rod (2)	45-102868-03	45-102868-03	45-102868-03	45-102868-04
2		Coil Door	AE-100685-33	AE-100685-34	AE-100685-37	AE-100685-36
		Insulation - Coil Door	68-101577-07	68-101577-08	68-101577-10	68-101577-09
3		Top Cover Plate	AE-100686-32	AE-100686-32	AE-100686-32	AE-100686-33
		Insulation - Top Cover Plate	68-101122-02	68-101122-02	68-101122-02	68-101122-03
4		Blower Door	AE-100684-32	AE-100684-32	AE-100684-32	AE-100684-33
		Insulation - Blower Door	68-101576-02	68-101576-02	68-101576-02	68-101576-03
5		Access Panel	AE-101133-31	AE-101133-31	AE-101133-31	AE-101133-31
		Insulation - Access Panel	68-101644-01	68-101644-01	68-101644-01	68-101644-01
		Poron Gasket (Blower & Coil Doors)	68-42246-03	68-42246-03	68-42246-03	68-42246-03
6		Drain Pan - Vertical	See RCH Coil Parts List			
7		Drain Pan - Horizontal	See RCH Coil Parts List			
8		Plate - Block Off	AE-100455-01	AE-100455-01	AE-100455-01	AE-100455-01
9		Cabinet Brace	AE-101134-03	AE-101134-03	AE-101134-03	AE-101134-04
10		Middle Brace	AE-101054-02	AE-101054-02	AE-101054-02	AE-101054-03
13a		Heat Barrier	AE-100683-05	AE-100683-06	AE-100683-06	AE-100683-08
13b		Heat Barrier Side (2)	AE-104241-01	AE-104241-01	AE-104241-01	AE-104241-01
		Duct Flanges (2)	AE-101048-07	AE-101048-07	AE-101048-07	AE-101048-07
		Touch-up Paint - Granite/Steel Gray (Aerosol)	PD523018	PD523018	PD523018	PD523018
		Touch-up Paint - Granite/Steel Gray (Paint Pens)	PD523019	PD523019	PD523019	PD523019

No.	Notes	MODEL	RH2T	RH2T	RH2T	RH2T
		CAPACITY	24	36	48	60
		CABINET SIZE	21	21	21	24
		COIL SIZE/METERING	MT	MT	MT	MT
		MAJOR SERIES/CONTROLS	AC	AC	AC	AC
		VOLTAGE/MINOR SERIES	JA	JA	JA	JA
PANELS, SHEET METAL, MISCELLANEOUS						
1		Cabinet	N/A	N/A	N/A	N/A
		Insulation - Cabinet	68-101121-02	68-101121-03	68-101121-03	68-101121-04
		Insulation Retainer Rod (2)	45-102868-03	45-102868-03	45-102868-03	45-102868-04
2		Coil Door	AE-100685-33	AE-100685-34	AE-100685-34	AE-100685-36
		Insulation - Coil Door	68-101577-07	68-101577-08	68-101577-08	68-101577-09
3		Top Cover Plate	AE-100686-32	AE-100686-32	AE-100686-32	AE-100686-33
		Insulation - Top Cover Plate	68-101122-02	68-101122-02	68-101122-02	68-101122-03
4		Blower Door	AE-100684-32	AE-100684-32	AE-100684-32	AE-100684-33
		Insulation - Blower Door	68-101576-02	68-101576-02	68-101576-02	68-101576-03
5		Access Panel	AE-101133-31	AE-101133-31	AE-101133-31	AE-101133-31
		Insulation - Access Panel	68-101644-01	68-101644-01	68-101644-01	68-101644-01
		Poron Gasket (Blower & Coil Doors)	68-42246-03	68-42246-03	68-42246-03	68-42246-03
6		Drain Pan - Vertical	See RCH Coil Parts List			
7		Drain Pan - Horizontal	See RCH Coil Parts List			
8		Plate - Block Off	AE-100455-01	AE-100455-01	AE-100455-01	AE-100455-01
9		Cabinet Brace	AE-101134-03	AE-101134-03	AE-101134-03	AE-101134-04
10		Middle Brace	AE-101054-02	AE-101054-02	AE-101054-02	AE-101054-03
13a		Heat Barrier	AE-100683-05	AE-100683-06	AE-100683-06	AE-100683-08
13b		Heat Barrier Side (2)	AE-104241-01	AE-104241-01	AE-104241-01	AE-104241-01
		Duct Flanges (2)	AE-101048-07	AE-101048-07	AE-101048-07	AE-101048-07
		Touch-up Paint - Granite/Steel/Warm Dark Gray (Aerosol)	PD523018	PD523018	PD523018	PD523018
		Touch-up Paint - Granite/Steel/Warm Dark Gray (Paint Pens)	PD523019	PD523019	PD523019	PD523019

No.	Notes	MODEL	RH2T	RH2T	RH2T	
		CAPACITY	24	24	48	
		CABINET SIZE	17	17	21	
		COIL SIZE/METERING	ST	ST	MT	
		MAJOR SERIES/CONTROLS	AC	AN	AN	
		VOLTAGE/MINOR SERIES	JA	JA	JA	
PANELS, SHEET METAL, MISCELLANEOUS						
1		Cabinet	N/A	N/A	N/A	
		Insulation - Cabinet	68-101121-01	68-101121-01	68-101121-03	
		Insulation Retainer Rod (2)	45-102868-02	45-102868-02	45-102868-03	
2		Coil Door	AE-100685-32	AE-100685-32	AE-100685-37	
		Insulation - Coil Door	68-101577-06	68-101577-06	68-101577-10	
3		Top Cover Plate	AE-100686-31	AE-100686-31	AE-100686-32	
		Insulation - Top Cover Plate	68-101122-01	68-101122-01	68-101122-02	
4		Blower Door	AE-100684-31	AE-100684-31	AE-100684-32	
		Insulation - Blower Door	68-101576-01	68-101576-01	68-101576-02	
5		Access Panel	AE-101133-31	AE-101133-31	AE-101133-31	
		Insulation - Access Panel	68-101644-01	68-101644-01	68-101644-01	
		Poron Gasket (Blower & Coil Doors)	68-42246-03	68-42246-03	68-42246-03	
6		Drain Pan - Vertical	See RCH Coil Parts List			
7		Drain Pan - Horizontal	See RCH Coil Parts List			
8		Plate - Block Off	AE-100455-01	AE-100455-01	AE-100455-01	
9		Cabinet Brace	AE-101134-02	AE-101134-02	AE-101134-03	
10		Middle Brace	AE-101054-01	AE-101054-01	AE-101054-02	
13a		Heat Barrier	AE-100683-03	AE-100683-03	AE-100683-06	
13b		Heat Barrier Side (2)	AE-104241-01	AE-104241-01	AE-104241-01	
		Duct Flanges (2)	AE-101048-07	AE-101048-07	AE-101048-07	
		Touch-up Paint - Granite/Steel/Warm Dark Gray (Aerosol)	PD523018	PD523018	PD523018	
		Touch-up Paint - Granite/Steel/Warm Dark Gray (Paint Pens)	PD523019	PD523019	PD523019	

No.	Notes	MODEL	RH2T	RH2T	RH2T
		CAPACITY	24	36	60
		CABINET SIZE	17	17	21
		COIL SIZE/METERING	SE	SE	SE
		MAJOR SERIES/CONTROLS	AC	AC	AC
		VOLTAGE/MINOR SERIES	JA	JA	JA
PANELS, SHEET METAL, MISCELLANEOUS					
1		Cabinet	N/A	N/A	N/A
		Insulation - Cabinet	68-101121-01	68-101121-01	68-101121-15
		Insulation Retainer Rod (2)	45-102868-02	45-102868-02	45-102868-03
2		Coil Door	AE-100685-32	AE-100685-32	AE-100685-37
		Insulation - Coil Door	68-101577-06	68-101577-06	68-101577-10
3		Top Cover Plate	AE-100686-31	AE-100686-31	AE-100686-32
		Insulation - Top Cover Plate	68-101122-01	68-101122-01	68-101122-02
4		Blower Door	AE-100684-31	AE-100684-31	AE-100684-32
		Insulation - Blower Door	68-101576-01	68-101576-01	68-101576-02
5		Access Panel	AE-101133-31	AE-101133-31	AE-101133-31
		Insulation - Access Panel	68-101644-01	68-101644-01	68-101644-01
		Poron Gasket (Blower & Coil Doors)	68-42246-03	68-42246-03	68-42246-03
6		Drain Pan - Vertical	See RCH Coil Parts List		
7		Drain Pan - Horizontal	See RCH Coil Parts List		
8		Plate - Block Off	AE-100455-01	AE-100455-01	AE-100455-01
9		Cabinet Brace	AE-101134-02	AE-101134-02	AE-101134-03
10		Middle Brace	AE-101054-01	AE-101054-01	AE-101054-02
13a		Heat Barrier	AE-100683-03	AE-100683-03	AE-100683-06
13b		Heat Barrier Side (2)	AE-104241-01	AE-104241-01	AE-104241-01
		Duct Flanges (2)	AE-101048-07	AE-101048-07	AE-101048-07
		Touch-up Paint - Granite/Steel Gray (Aerosol)	PD523018	PD523018	PD523018
		Touch-up Paint - Granite/Steel Gray (Paint Pens)	PD523019	PD523019	PD523019

No.	Notes	MODEL	RH2T	RH2T	RH2T	RH2T
		CAPACITY	24	36	48	60
		CABINET SIZE	21	21	24	24
		COIL SIZE/METERING	MT	MT	MT	ST
		MAJOR SERIES/CONTROLS	AN	AN	AN	AN
		VOLTAGE/MINOR SERIES	JA	JA	JA	JA
ELECTRICAL GROUP						
17	Stk	Transformer	46-101905-01	46-101905-01	46-101905-01	46-101905-01
18	Stk	Control Board (Blower Assembly)	47-102077-05	47-102077-05	47-102077-05	47-102077-05
		Wiring Harness - 6 Pin Molex to 6 stripped wires (For T-Stat)	45-101891-06	45-101891-06	45-101891-06	45-101891-06
		Wiring Harness - 1 strip lead and 1 connector to single connector (Control Transformer to Blower Motor to Terminal Block - Black Wires)	45-24258-18	45-24258-18	45-24258-18	45-24258-18
		Wiring Harness - 1 strip lead and 1 connector to single connector (Control Transformer to Blower Motor and Terminal Block)	45-24258-22	45-24258-22	45-24258-22	45-24258-22
11		Terminal Block	45-23222-02	45-23222-02	45-23222-02	45-23222-02

No.	Notes	MODEL	RH2T	RH2T	RH2T	RH2T
		CAPACITY	24	36	48	60
		CABINET SIZE	21	21	21	24
		COIL SIZE/METERING	MT	MT	MT	MT
		MAJOR SERIES/CONTROLS	AC	AC	AC	AC
		VOLTAGE/MINOR SERIES	JA	JA	JA	JA
ELECTRICAL GROUP						
17	Stk	Transformer	46-101905-01	46-101905-01	46-101905-01	46-101905-01
18	Stk	Control Board (Blower Assembly)	47-105415-01	47-105415-01	47-105415-01	47-105415-01
		Memory Card (EEPROM)	47-102738-142	47-102738-143	47-102738-144	47-102738-145
		Wiring Harness - 9 Pin Molex to 9 stripped wires (For T-Stat)	45-101891-02	45-101891-02	45-101891-02	45-101891-02
		Wiring Harness - 1 strip lead and 1 connector to single connector (Control Transformer to Blower Motor to Terminal Block - Black Wires)	45-24258-18	45-24258-18	45-24258-18	45-24258-18
		Wiring Harness - 1 strip lead and 1 connector to single connector (Control Transformer to Blower Motor and Terminal Block)	45-24258-22	45-24258-22	45-24258-22	45-24258-22
11		Terminal Block	45-23222-02	45-23222-02	45-23222-02	45-23222-02
		Wiring Harness - 7 Pin Molex to 7 stripped wires (Communication)	45-101891-07	45-101891-07	45-101891-07	45-101891-07
		Push Mount Tie (for Memory Card Wire Tie)	64-102873-01	64-102873-01	64-102873-01	64-102873-01

No.	Notes	MODEL	RH2T	RH2T	RH2T	
		CAPACITY	24	24	48	
		CABINET SIZE	17	17	21	
		COIL SIZE/METERING	ST	ST	MT	
		MAJOR SERIES/CONTROLS	AC	AN	AN	
		VOLTAGE/MINOR SERIES	JA	JA	JA	
ELECTRICAL GROUP						
17	Stk	Transformer	46-101905-01	46-101905-01	46-101905-01	
18	Stk	Control Board (Blower Assembly)	47-105415-02	47-100436-02	47-100436-02	
		Memory Card (EEPROM)	47-102738-143	N/A	N/A	
		Wiring Harness - 9 Pin Molex to 9 stripped wires (For T-Stat)	45-101891-02	N/A	N/A	
		Wiring Harness - 6 Pin Molex to 6 stripped wires (For T-Stat)	N/A	45-101891-06	45-101891-06	
		Wiring Harness - 1 strip lead and 1 connector to single connector (Control Transformer to Blower Motor to Terminal Block - Black Wires)	45-24258-18	45-24258-18	45-24258-18	
		Wiring Harness - 1 strip lead and 1 connector to single connector (Control Transformer to Blower Motor and Terminal Block)	45-24258-22	45-24258-22	45-24258-22	
11		Terminal Block	45-23222-02	45-23222-02	45-23222-02	
		Wiring Harness - 7 Pin Molex to 7 stripped wires (Communication)	45-101891-07	N/A	N/A	
		Push Mount Tie (for Memory Card Wire Tie)	64-102873-01	N/A	N/A	

No.	Notes	MODEL	RH2T	RH2T	RH2T	RH2T
		CAPACITY	24	36	48	60
		CABINET SIZE	21	21	21	24
		COIL SIZE/METERING	ME	ME	ME	ME
		MAJOR SERIES/CONTROLS	AC	AC	AC	AC
		VOLTAGE/MINOR SERIES	JA	JA	JA	JA
ELECTRICAL GROUP						
17	Stk	Transformer	46-101905-01	46-101905-01	46-101905-01	46-101905-01
18	Stk	Control Board (Blower Assembly)	47-105415-01	47-105415-01	47-105415-01	47-105415-01
		Memory Card (EEPROM)	47-102738-55	47-102738-56	47-102738-57	47-102738-58
		Wiring Harness - 9 Pin Molex to 9 stripped wires (For T-Stat)	45-101891-02	45-101891-02	45-101891-02	45-101891-02
		Wiring Harness - 1 strip lead and 1 connector to single connector (Control Transformer to Blower Motor to Terminal Block - Black Wires)	45-24258-18	45-24258-18	45-24258-18	45-24258-18
		Wiring Harness - 1 strip lead and 1 connector to single connector (Control Transformer to Blower Motor and Terminal Block)	45-24258-22	45-24258-22	45-24258-22	45-24258-22
11		Terminal Block	45-23222-02	45-23222-02	45-23222-02	45-23222-02
		Wiring Harness - Pressure Transducer	45-104130-03	45-104130-03	45-104130-03	45-104130-03
		Wiring Harness - 7 Pin Molex to 7 stripped wires (Communication)	45-101891-07	45-101891-07	45-101891-07	45-101891-07
		Sensor/Clip Assembly (Thermistor)	47-102710-16	47-102710-16	47-102710-16	47-102710-16
		Push Mount Tie (for Memory Card Wire Tie)	64-102873-01	64-102873-01	64-102873-01	64-102873-01

No.	Notes	MODEL	RH2T	RH2T	RH2T	
		CAPACITY	24	36	60	
		CABINET SIZE	17	17	21	
		COIL SIZE/METERING	SE	SE	SE	
		MAJOR SERIES/CONTROLS	AC	AC	AC	
		VOLTAGE/MINOR SERIES	JA	JA	JA	
ELECTRICAL GROUP						
17	Stk	Transformer	46-101905-01	46-101905-01	46-101905-01	
18	Stk	Control Board (Blower Assembly)	47-105415-01	47-105415-01	47-105415-01	
		Memory Card (EEPROM)	47-102738-59	47-102738-60	47-102738-61	
		Wiring Harness - 9 Pin Molex to 9 stripped wires (For T-Stat)	45-101891-02	45-101891-02	45-101891-02	
		Wiring Harness - 1 strip lead and 1 connector to single connector (Control Transformer to Blower Motor to Terminal Block - Black Wires)	45-24258-18	45-24258-18	45-24258-18	
		Wiring Harness - 1 strip lead and 1 connector to single connector (Control Transformer to Blower Motor and Terminal Block)	45-24258-22	45-24258-22	45-24258-22	
11		Terminal Block	45-23222-02	45-23222-02	45-23222-02	
		Wiring Harness - Pressure Transducer	45-104130-03	45-104130-03	45-104130-03	
		Wiring Harness - 7 Pin Molex to 7 stripped wires (Communication)	45-101891-07	45-101891-07	45-101891-07	
		Sensor/Clip Assembly (Thermistor)	47-102710-16	47-102710-16	47-102710-16	
		Push Mount Tie (for Memory Card Wire Tie)	64-102873-01	64-102873-01	64-102873-01	

No.	Notes	MODEL	RH2T	RH2T	RH2T	RH2T	RH2T
		CAPACITY	24	36	48	48	60
		CABINET SIZE	21	21	21	24	24
		COIL SIZE/METERING	MT	MT	MT	MT	ST
		MAJOR SERIES/CONTROLS	AN	AN	AN	AN	AN
		VOLTAGE/MINOR SERIES	JA	JA	JA	JA	JA
BLOWER GROUP							
15	Stk	Blower Assembly (Includes items 16-22)	AS-101886-07	AS-101886-08	AS-101886-42	AS-101886-09	AS-101886-10
16		Mounting Bracket - Control Board	AE-101049-01	AE-101049-01	AE-101049-01	AE-101049-01	AE-101049-01
17		Transformer	See Electrical Group				
18		Control Board	See Electrical Group				
19		Blower Housing w/Wheel	70-101729-02	70-101729-08	70-101729-08	70-101729-04	70-101729-04
	Stk	Blower Wheel	703014	703023	703023	703015	703015
20		Motor Mount - Band	70-19927-04	70-19927-04	70-19927-04	70-19927-04	70-19927-04
21		Motor Mount - Arm (4)	70-19929-10	70-19929-10	70-19929-10	70-19929-10	70-19929-10
22	Stk	Blower Motor	51-104358-08	51-104360-22	51-104360-31	51-104360-23	51-104360-24
23		Mounting Bracket Cover	AE-101797-01	AE-101797-01	AE-101797-01	AE-101797-01	AE-101797-01

No.	Notes	MODEL	RH2T	RH2T	RH2T		RH2T
		CAPACITY	24	36	48		60
		CABINET SIZE	21	21	21		24
		COIL SIZE/METERING	MT	MT	MT		MT
		MAJOR SERIES/CONTROLS	AC	AC	AC		AC
		VOLTAGE/MINOR SERIES	JA	JA	JA		JA
BLOWER GROUP							
15	Stk	Blower Assembly (Includes items 16-22)	AS-101886-30	AS-101886-31	AS-101886-19		AS-101886-33
16		Mounting Bracket - Control Board	AE-101049-01	AE-101049-01	AE-101049-01		AE-101049-01
17		Transformer	See Electrical Group				
18		Control Board	See Electrical Group				
19		Blower Housing w/Wheel	70-101729-02	70-101729-08	70-101729-08		70-101729-04
	Stk	Blower Wheel	703014	703023	703023		703015
20		Motor Mount - Band	70-19927-04	70-19927-04	70-19927-04		70-19927-04
21		Motor Mount - Arm (4)	70-19929-10	70-19929-10	70-19929-10		70-19929-10
22	Stk	Blower Motor	51-104358-08	51-104360-22	51-104360-34		51-104360-35
23		Mounting Bracket Cover	AE-101797-01	AE-101797-01	AE-101797-01		AE-101797-01

No.	Notes	MODEL	RH2T	RH2T	RH2T		RH2T
		CAPACITY	24	36	48		60
		CABINET SIZE	21	21	21		24
		COIL SIZE/METERING	ME	ME	ME		ME
		MAJOR SERIES/CONTROLS	AC	AC	AC		AC
		VOLTAGE/MINOR SERIES	JA	JA	JA		JA
BLOWER GROUP							
15	Stk	Blower Assembly (Includes items 16-22)	AS-101886-17	AS-101886-18	AS-101886-19		AS-101886-20
16		Mounting Bracket - Control Board	AE-101049-01	AE-101049-01	AE-101049-01		AE-101049-01
17		Transformer	See Electrical Group				
18		Control Board	See Electrical Group				
19		Blower Housing w/Wheel	70-101729-02	70-101729-08	70-101729-08		70-101729-04
	Stk	Blower Wheel	703014	703023	703023		703015
20		Motor Mount - Band	70-19927-04	70-19927-04	70-19927-04		70-19927-04
21		Motor Mount - Arm (4)	70-19929-10	70-19929-10	70-19929-10		70-19929-10
22	Stk	Blower Motor	51-104358-20	51-104360-33	51-104360-34		51-104360-35
23		Mounting Bracket Cover	AE-101797-01	AE-101797-01	AE-101797-01		AE-101797-01

No.	Notes	MODEL	RH2T	RH2T	RH2T	RH2T	RH2T
		CAPACITY	24	24	24	36	60
		CABINET SIZE	17	17	17	17	21
		COIL SIZE/METERING	SE	ST	ST	SE	SE
		MAJOR SERIES/CONTROLS	AC	AC	AN	AC	AC
		VOLTAGE/MINOR SERIES	JA	JA	JA	JA	JA
BLOWER GROUP							
15	Stk	Blower Assembly (Includes items 16-22)	AS-101886-21	AS-101886-40	AS-101886-41	AS-101886-22	AS-101886-23
16		Mounting Bracket - Control Board	AE-101049-01	AE-101049-01	AE-101049-01	AE-101049-01	AE-101049-01
17		Transformer	See Electrical Group				
18		Control Board	See Electrical Group				
19		Blower Housing w/Wheel	70-101729-02	70-101729-02	70-101729-02	70-101729-02	70-101729-08
	Stk	Blower Wheel	703014	703014	703014	703014	703023
20		Motor Mount - Band	70-19927-04	70-19927-04	70-19927-04	70-19927-04	70-19927-04
21		Motor Mount - Arm (4)	70-19929-10	70-19929-10	70-19929-10	70-19929-10	70-19929-10
22	Stk	Blower Motor	51-101879-01	51-104358-01	51-104358-09	51-104359-01	51-104360-36
23		Mounting Bracket Cover	AE-101797-01	AE-101797-01	AE-101797-01	AE-101797-01	AE-101797-01

No.	Notes	MODEL	RH2T	RH2T	RH2T	RH2T
		CAPACITY	24	24	36	48
		CABINET SIZE	17	21	21	21
		COIL SIZE/METERING	ST	MT	MT	MT
COIL GROUP						
12		Replacement Coil w/TXV	RCH-2417STAVUA	RCH-2421HTAVUA	RCH-3621MTAVUA	RCH-4821MTAVUA
		Horizontal Adapter Kit	See specified RCH Coil Parts List			
		Drain Pan - Vertical	See specified RCH Coil Parts List			
		TXV	See specified RCH Coil Parts List			
		M to M1 TXV Conversion Kit	RXHQ-C24N*	RXHQ-C24N*	RXHQ-C36N*	N/A

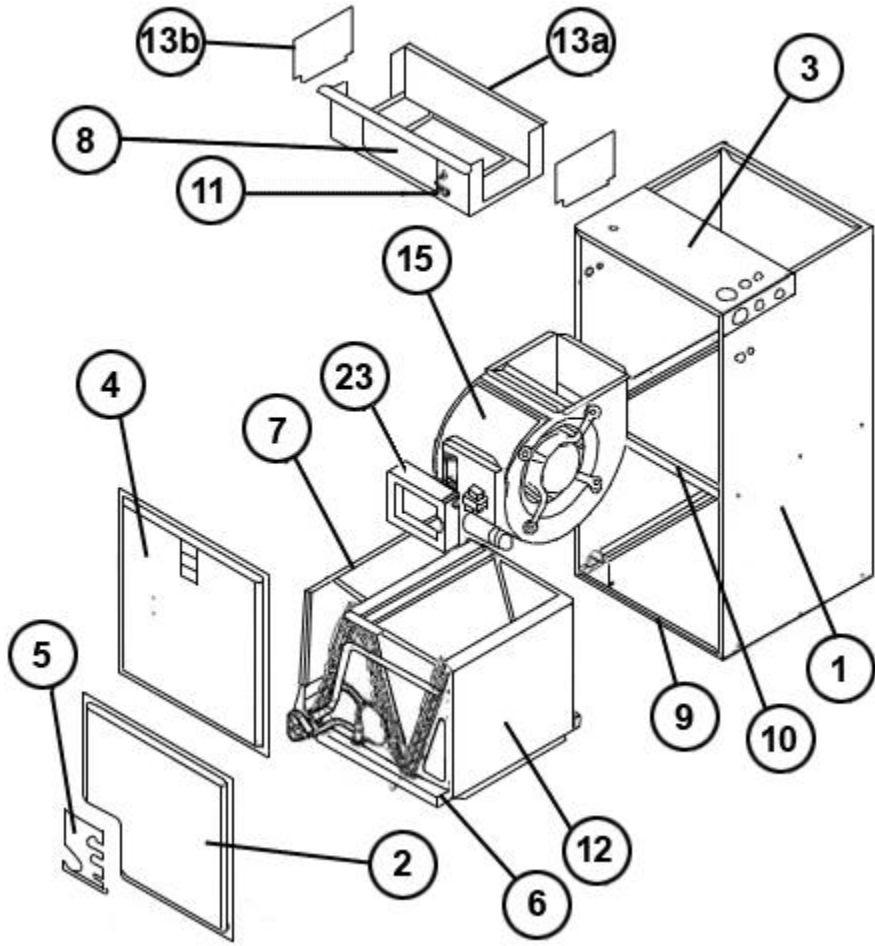
No.	Notes	MODEL	RH2T		RH2T	RH2T
		CAPACITY	48		60	60
		CABINET SIZE	24		24	24
		COIL SIZE/METERING	MT		ST	MT
COIL GROUP						
12		Replacement Coil w/TXV	RCH-4824HTAVUA		RCH-6024STAVUA	RCH-6024HTAVUA
		Horizontal Adapter Kit	See specified RCH Coil Parts List			
		Drain Pan - Vertical	See specified RCH Coil Parts List			
		TXV	See specified RCH Coil Parts List			
		M to M1 TXV Conversion Kit	RXHQ-C48N*		RXHQ-C60N*	RXHQ-C60N*

No.	Notes	MODEL	RH2T	RH2T	RH2T	RH2T
		CAPACITY	24	24	36	36
		CABINET SIZE	17	21	17	21
		COIL SIZE/METERING	SEAC	MEAC	SEAC	MEAC
COIL GROUP						
12		Replacement Coil w/TXV	RCH-2417SEAVUA	RCH-2421MEAVUA	RCH-3617SEAVUA	RCH-3621MEAVUA
		Horizontal Adapter Kit	See specified RCH Coil Parts List			
		Drain Pan - Vertical	See specified RCH Coil Parts List			
		EEV	See specified RCH Coil Parts List			

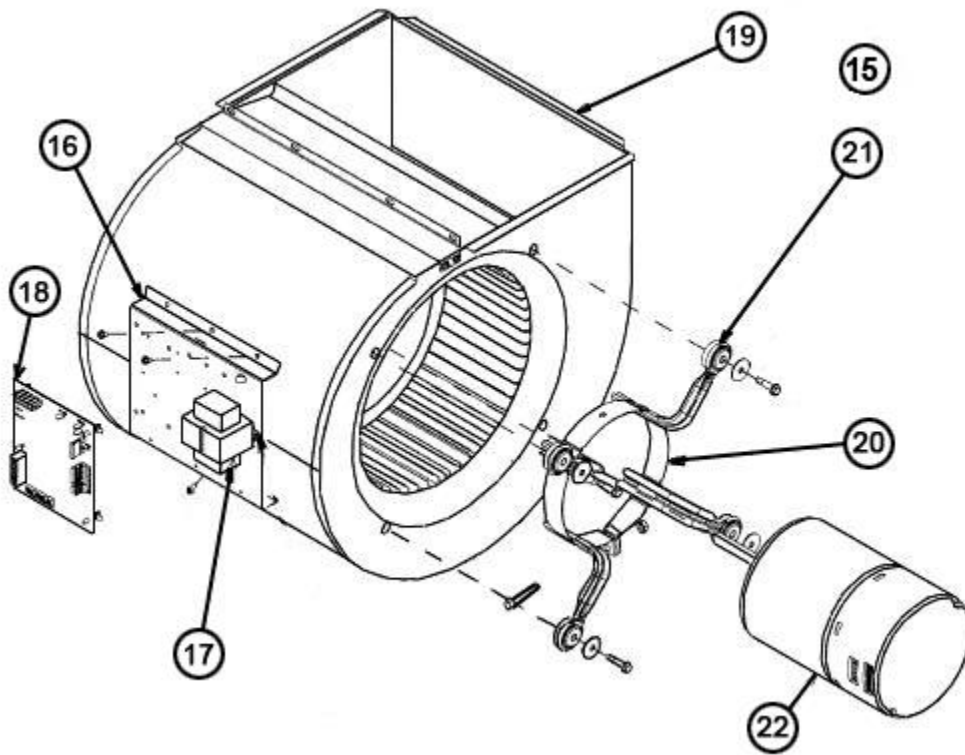
No.	Notes	MODEL	RH2T		RH2T	RH2T
		CAPACITY	48		60	60
		CABINET SIZE	21		21	24
		COIL SIZE/METERING	MEAC		SEAC	MEAC
COIL GROUP						
12		Replacement Coil w/TXV	RCH-6021SEAVUA		RCH-6021SEAVUA	RCH-6024MEAVUA
		Horizontal Adapter Kit	See specified RCH Coil Parts List			
		Drain Pan - Vertical	See specified RCH Coil Parts List			
		EEV	See specified RCH Coil Parts List			

No.	Notes	MODEL CAPACITY CABINET SIZE COIL SIZE/METERING	RH2T	RH2T	RH2T	RH2T
			24 21/17 MT/ME/ST	36 21 MT/ME	48 24/21 MT/ME	60 24 ST/ME/MT
HEATER KITS						
		Heater Kit - 3kW/208-240/1	RXBH-17A03J RXBH-17B03J RXBH-17C03J	N/A	N/A	N/A
		Heater Kit - 5kW/208-240/1	RXBH-1724A05J RXBH-1724B05J RXBH-1724C05J	RXBH-1724A05J RXBH-1724B05J RXBH-1724C05J	RXBH-1724A05J RXBH-1724B05J RXBH-1724C05J	RXBH-1724A05J RXBH-1724B05J RXBH-1724C05J
		Heater Kit - 7kW/208-240/1	RXBH-1724A07J RXBH-1724B07J RXBH-1724C07J	RXBH-1724A07J RXBH-1724B07J RXBH-1724C07J	RXBH-1724A07J RXBH-1724B07J RXBH-1724C07J	RXBH-1724A07J RXBH-1724B07J RXBH-1724C07J
		Heater Kit - 10kW/208-240/1	RXBH-1724A10J RXBH-1724B10J RXBH-1724C10J	RXBH-1724A10J RXBH-1724B10J RXBH-1724C10J	RXBH-1724A10J RXBH-1724B10J RXBH-1724C10J	RXBH-1724A10J RXBH-1724B10J RXBH-1724C10J
		Heater Kit - 13kW/208-240/1	RXBH-1724A13J	N/A	N/A	N/A
		Heater Kit - 15kW/208-240/1	RXBH-1724A15J	RXBH-1724A15J	RXBH-1724A15J	RXBH-1724A15J
		Heater Kit - 18kW/208-240/1	RXBH-1724A18J	RXBH-1724A18J	RXBH-1724A18J	RXBH-1724A18J
		Heater Kit - 20kW/208-240/1	N/A	N/A	RXBH-24A20J	RXBH-24A20J
		Heater Kit - 25kW/208-240/1	N/A	N/A	RXBH-24A25J	RXBH-24A25J
		Heater Kit - 30kW/208-240/1	N/A	N/A	N/A	RXBH-24A30J
		Heater Kit - 7kW/208-240/3	RXBH-1724A07C	RXBH-1724A07C	RXBH-1724A07C	RXBH-1724A07C
		Heater Kit - 10kW/208-240/3	RXBH-1724A10C	RXBH-1724A10C	RXBH-1724A10C	RXBH-1724A10C
		Heater Kit - 13kW/208-240/3	RXBH-1724A13C	N/A	N/A	N/A
		Heater Kit - 15kW/208-240/3	N/A	RXBH-1724A15C	RXBH-1724A15C	RXBH-1724A15C
		Heater Kit - 18kW/208-240/3	N/A	RXBH-1724A18C	RXBH-1724A18C	RXBH-1724A18C
		Heater Kit - 20kW/208-240/3	N/A	N/A	RXBH-24A20C	RXBH-24A20C
		Heater Kit - 25kW/208-240/3	N/A	N/A	RXBH-24A25C	RXBH-24A25C
		Heater Kit - 30kW/208-240/3	N/A	N/A	N/A	RXBH-24A30C

No.	Notes	MODEL CAPACITY CABINET SIZE COIL SIZE/METERING	RH2T	RH2T	RH2T	
			24 17 SEAC	36 17 SEAC	60 21 SEAC	
HEATER KITS						
		Heater Kit - 3kW/208-240/1	RXBH-17A03J RXBH-17B03J RXBH-17C03J	RXBH-17A03J RXBH-17B03J RXBH-17C03J	N/A	
		Heater Kit - 5kW/208-240/1	RXBH-1724A05J RXBH-1724B05J RXBH-1724C05J	RXBH-1724A05J RXBH-1724B05J RXBH-1724C05J	RXBH-1724A05J RXBH-1724B05J RXBH-1724C05J	
		Heater Kit - 7kW/208-240/1	RXBH-1724A07J RXBH-1724B07J RXBH-1724C07J	RXBH-1724A07J RXBH-1724B07J RXBH-1724C07J	RXBH-1724A07J RXBH-1724B07J RXBH-1724C07J	
		Heater Kit - 10kW/208-240/1	RXBH-1724A10J RXBH-1724B10J RXBH-1724C10J	RXBH-1724A10J RXBH-1724B10J RXBH-1724C10J	RXBH-1724A10J RXBH-1724B10J RXBH-1724C10J	
		Heater Kit - 13kW/208-240/1	RXBH-1724A13J	RXBH-1724A13J	N/A	
		Heater Kit - 15kW/208-240/1	RXBH-1724A15J	RXBH-1724A15J	RXBH-1724A15J	
		Heater Kit - 18kW/208-240/1	RXBH-1724A18J	RXBH-1724A18J	RXBH-1724A18J	
		Heater Kit - 20kW/208-240/1	N/A	N/A	RXBH-24A20J	
		Heater Kit - 25kW/208-240/1	N/A	N/A	RXBH-24A25J	
		Heater Kit - 7kW/208-240/3	RXBH-1724A07C	RXBH-1724A07C	RXBH-1724A07C	
		Heater Kit - 10kW/208-240/3	RXBH-1724A10C	RXBH-1724A10C	RXBH-1724A10C	
		Heater Kit - 13kW/208-240/3	RXBH-1724A13C	RXBH-1724A13C	N/A	
		Heater Kit - 15kW/208-240/3	RXBH-1724A15C	RXBH-1724A15C	RXBH-1724A15C	
		Heater Kit - 18kW/208-240/3	RXBH-1724A18C	RXBH-1724A18C	RXBH-1724A18C	
		Heater Kit - 20kW/208-240/3	N/A	N/A	RXBH-24A20C	
		Heater Kit - 25kW/208-240/3	N/A	N/A	RXBH-24A25C	



Exploded View



Blower Assembly

NOTES

Stk It is recommended that stock be maintained for this part.
N/A Not Applicable

DISCLAIMER: This document is intended to provide general replacement parts information to aid qualified service personnel in the repair of these models. The complete Model and Serial Number of the unit under repair should be specified when selecting and ordering replacement parts. Specifications and illustrations are subject to change without notice. Document 92-42800-RH2T supersedes all previous parts lists for these models. See <http://www.rheempartslists.net/92-42800-RH2T> for the latest revision of this document. The manufacturer assumes no obligation for errors or omissions. Service personnel must verify the proper and safe operation of equipment after the replacement of any original components.